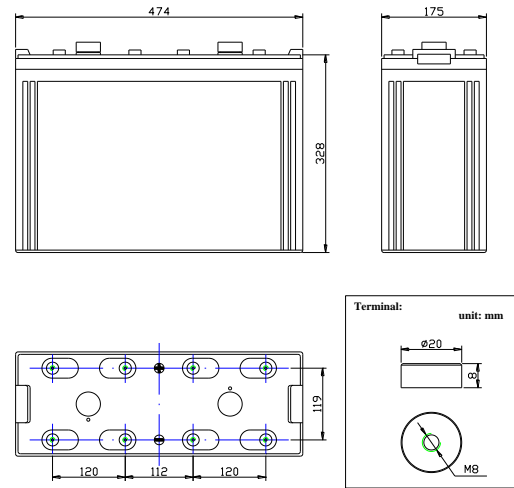


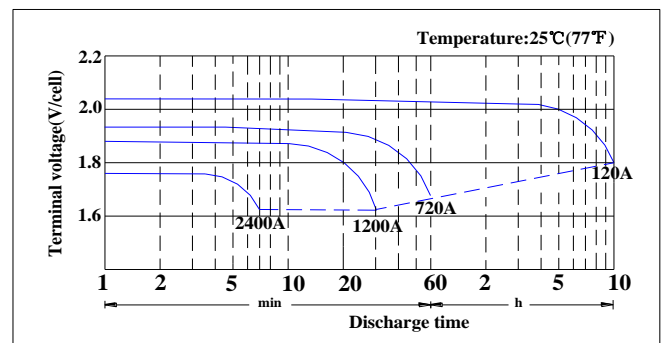
□HGXL1200-2



**Specifications**

<b>Nominal Voltage</b>		<b>2V</b>
<b>Rated Capacity (10 hour rate)</b>		<b>1200AH</b>
<b>Dimension</b>	<b>Total Height</b>	<b>366mm(14.41inches)</b>
	<b>Height</b>	<b>328mm(12.91inches)</b>
	<b>Length</b>	<b>474mm(18.66inches)</b>
	<b>Width</b>	<b>175mm(6.89inches)</b>
<b>Weight</b>		<b>Approx.74.40kg (163.7lbs)</b>
<b>Terminal</b>		<b>M8</b>

**Discharge characteristics 77°F (25°C)**



**Float charge method:**

Constant voltage: 2.23V/Cell(25°C)  
 Temperature compensation factor: - 3mV/°C/Cell

**Constant power discharge watts per cell @ 77 F(25 °C)**

End Point Volt/cell	Operation Time To End Point Voltage																
	5min	10min	15min	20min	25min	30min	35min	40min	45min	1h	2h	3h	5h	8h	10h	12h	24h
1.60	3822	3111	2699	2373	2092	1933	1782	1662	1572	1343	831	612	410	285	247	209	108.5
1.63	3634	2950	2629	2276	2024	1859	1746	1632	1546	1308	805	591	398	285	247	209	108.5
1.65	3535	2923	2567	2259	2008	1843	1709	1602	1520	1308	805	591	388	285	245	209	108.5
1.67	3413	2875	2517	2214	1986	1809	1681	1583	1504	1308	805	591	388	279	243	209	108.5
1.70	3304	2709	2451	2142	1928	1760	1654	1564	1487	1271	784	567	381	278	240	209	108.5
1.75	3050	2590	2304	2049	1860	1702	1598	1527	1442	1235	758	553	371	272	238	209	108.5
1.80	2764	2379	2124	1923	1754	1644	1531	1451	1396	1190	733	547	362	268	235	203	108.2
1.85	2119	1917	1808	1649	1534	1427	1353	1266	1221	1071	679	510	336	250	223	193	102.8
1.90	1693	1563	1488	1373	1291	1232	1179	1128	1095	963	622	466	319	233	210	181	97

**Constant current discharge ratings amperes @ 77°F (25°C)**

End Point Volt/cell	Operation Time To End Point Voltage																
	5min	10min	15min	20min	25min	30min	35min	40min	45min	1h	2h	3h	5h	8h	10h	12h	24h
1.60	2304	1830	1542	1332	1158	1063	976	905	854	720	435	320	214	145	126	106.2	55.1
1.63	2159	1755	1491	1258	1117	1018	957	881	832	705	428	312	204	145	126	106.2	55.1
1.65	2080	1686	1443	1249	1103	1006	929	866	819	696	421	307	200	145	125	106.2	55.1
1.67	1983	1638	1398	1224	1090	985	911	853	809	686	416	301	198	143	124	106.2	55.1
1.70	1895	1563	1355	1177	1052	955	895	843	799	674	409	294	197	141	122	106.2	55.1
1.75	1723	1433	1269	1119	1006	918	854	815	768	652	393	286	191	140	121	105.2	55.1
1.80	1523	1303	1161	1041	944	882	818	770	740	624	380	282	187	136	120	103	55
1.85	1136	1024	961	879	810	749	709	661	636	557	348	261	171	127	113	97.3	52
1.90	888	819	778	712	668	636	609	582	565	496	317	237	161	117	106	91.1	48.7

**FULLRIVER HGXL BATTERIES**

This information is generally descriptive only and is not intended to make or imply any representation, guarantee or warranty with respect to any cells and batteries. Cell and battery designs/specifications are subject to modification without notice. Contact Fullriver for the latest information.