

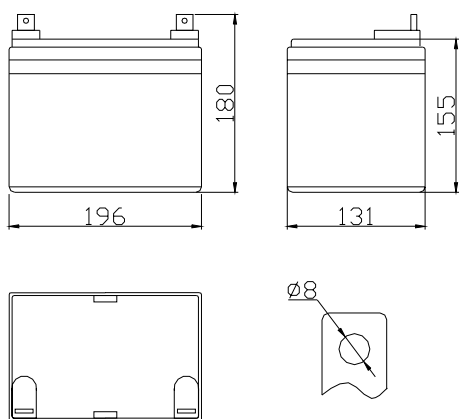


12V33Ah

The battery is a general purpose battery with 6~10 years service life under normal float charge at 25 (77).It is rechargeable,highly efficient,leak proof and maintenance free.

The battery is constructed by plates,separators,safety valves and container.Since the electrolyte is held by a glassmat separator and plates,the battery can use in any direction and position without leakage.

Outer Dimensions



Performance Characteristics

Nominal Voltage	12V
Number of cell	6
Design Life	8~10years
Nominal Capacity 77(25)	
20 hour rate(1.65A,10.5V)	33Ah
10 hour rate(3.11 A,10.5V)	31.1Ah
5 hour rate (5.64A,10.5V)	28.2Ah
1 hour rate(22.3A,9.6V)	22.3Ah
Self-Discharge	
3% of capacity declined per month at 20(average)	
Operation Temperature Range	
Discharge	-20~60
Charge	-10~60
Storage	-20~60
Max.Discharge Current 77(25)	396A(5s)
Short Circuit Current	990A

Dimensions and Weight

Length (mm / inch).....	196 / 7.72
Width (mm / inch)	131 / 5.16
Height (mm / inch)	155 / 6.10
Total Height (mm / inch).....	180 / 7.09
Approx.Weight(Kg / lbs).....	11.0 / 24.20

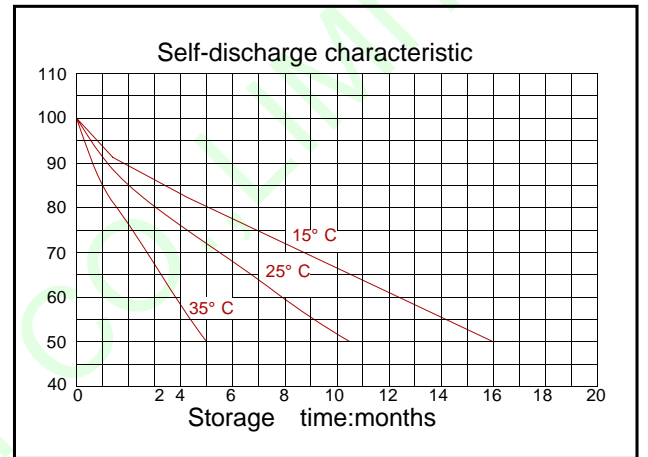
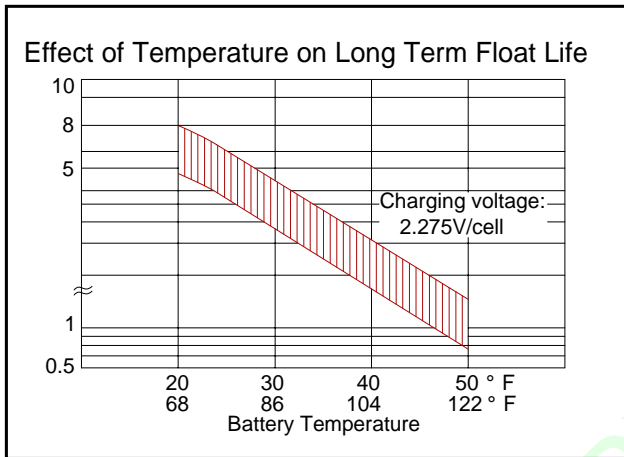
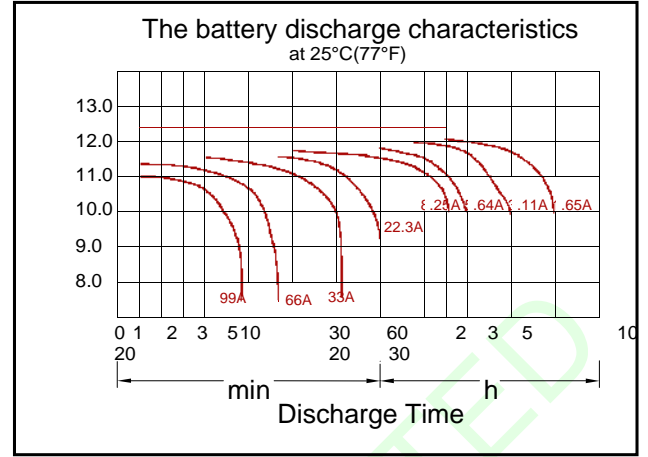
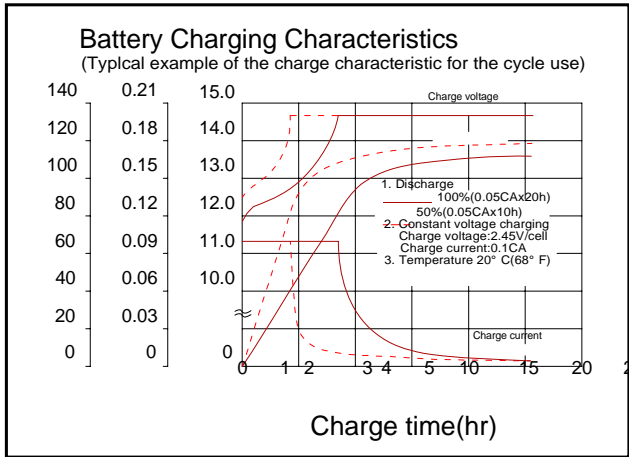
Battery Construction

Component	Positive plate	Negative plate	Container	Cover	Safety valve	Terminal	Separator	Electrolyte
Raw material	Lead dioxide	Lead	ABS	ABS	Rubber	Copper	Fiberglass	Sulfuric acid

Charging Methods

Application	Charging method	Charging Voltage at 20	Temperature compensation coefficient of charging voltage	Max.charging current	Charging time 0.1CA. 20 (h)		Temp ()
					100% discharge	50% discharge	
For standby power source	Constant voltage & Constant Current Charging (with current restriction)	13.6~13.8V	-20 mV/	9.9A	24	20	0~40 (32~104)
For cycle service		14.6~15.0V	-30 mV/	9.9A	16	10	

12V33Ah



Constant Current Discharge Characteristics Unit: A (25,77)												
F.V / Time	5Min	10Min	15Min	30Min	1HR	2HR	3 HR	4HR	5HR	8HR	10HR	20HR
9.6V	97	88.0	76.5	41.5	22.4	12.6	8.58	7.01	6.05	4.13	3.25	1.71
10.0V	109	85.8	72.9	40.7	22.2	12.5	8.47	6.93	6.00	4.07	3.22	1.71
10.2V	108	84.7	71.5	40.4	22.2	12.5	8.44	6.88	5.97	4.04	3.22	1.71
10.5V	102	79.8	66.0	39.1	21.7	12.3	8.25	6.60	5.64	3.93	3.11	1.65
10.8V	96	74.3	60.5	37.7	21.3	12.2	8.03	6.33	5.31	3.91	3.03	1.60
11.1V	90	69.3	55.0	36.0	20.8	12.0	7.84	6.05	5.01	3.80	2.97	1.57

Constant Power Discharge Characteristics Unit: Watt(25,77)												
F.V / Time	5Min	10Min	15Min	30Min	1HR	2HR	3 HR	4HR	5HR	8HR	10HR	20HR
9.6V	1182	963	847	473	248	148	100.9	82.5	70.1	49.0	40.2	20.4
10.0V	1174	935	762	465	246	148	99.8	81.7	69.3	48.1	39.9	20.1
10.2V	1169	935	723	462	246	148	99.8	81.1	68.8	47.6	39.6	20.0
10.5V	1119	886	710	448	241	146	97.1	78.1	65.5	47.0	38.8	19.6
10.8V	1067	839	693	437	237	145	95.4	75.1	60.0	46.2	38.0	19.3
11.1V	1017	792	677	424	232	143	93.5	72.3	58.6	45.7	37.4	18.9

WBR BATTERY CO., LIMITED
 Add: Bldg 1, DongFangMingZhu Cheng, LongHe Road, LongGang District, Shenzhen, China.
 TEL: +86 28169737
 FAX: +86 28197404
 E-mail: sales@wbr-battery.com
 http://www.wbr-battery.com