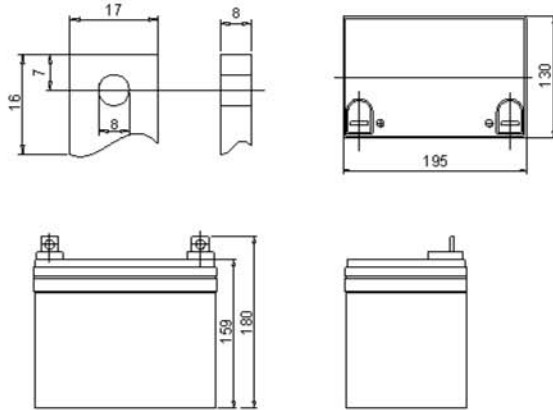


**VM Series SLA Battery**



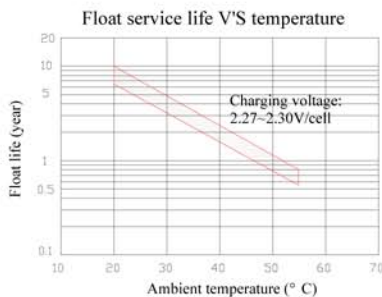
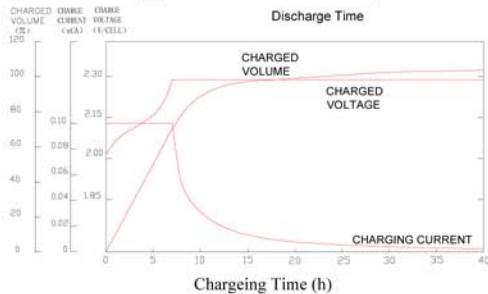
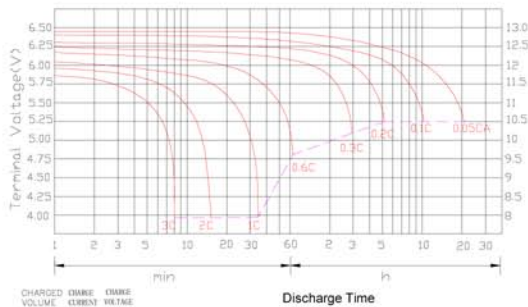
● **Specifications**

<b>Nominal Voltage</b>		<b>12V</b>
<b>Rated Capacity</b>		<b>33Ah</b>
<b>Dimensions</b>	<b>Total Height</b>	<b>7.09 inches (180mm)</b>
	<b>Height</b>	<b>6.10 inches (155mm)</b>
	<b>Length</b>	<b>7.68 inches (195mm)</b>
	<b>Width</b>	<b>5.12 inches (130mm)</b>
<b>Approximate Weight</b>		<b>22.49 lbs. (10.2kg)</b>

● **Characteristic**

<b>Capacity 77°F(25°C)</b>	<b>20h rate</b>	<b>34.6Ah</b>
	<b>10h rate</b>	<b>33.0Ah</b>
	<b>5h rate</b>	<b>28.1Ah</b>
	<b>1h rate</b>	<b>19.8Ah</b>
	<b>15 min rate</b>	<b>13.9Ah</b>
<b>Internal Resistance</b>	<b>Full Charged Battery 77°F(25°C)</b>	<b>Approx. 10m Ω</b>
<b>Capacity Affected by Temperature (20h rate)</b>	<b>104°F(40°C)</b>	<b>102%</b>
	<b>77°F(25°C)</b>	<b>100%</b>
	<b>32°F(0°C)</b>	<b>85%</b>
	<b>5°F(-15°C)</b>	<b>65%</b>
<b>Self-Discharge 68°F(20°C) (Capacity after)</b>	<b>3 month storage</b>	<b>90%</b>
	<b>6 month storage</b>	<b>80%</b>
	<b>12 month storage</b>	<b>60%</b>
<b>Max. Discharge Current 77°F(25°C)</b>	<b>330A(5s)</b>	
<b>Terminal</b>	<b>Lead/T11</b>	
<b>Charge (Constant Voltage, 25°C)</b>	<b>Cycle</b>	<b>14.4~14.7V(-24mV/°C) max. current: 9.9 A</b>
	<b>Float</b>	<b>13.6~13.8V(-18mV/°C)</b>

DISCHARGE CHARACTERISTICS AT 25° C(77° F)



**Constant Current Discharge Characteristics (A, 25°C)**

F.V/TIME	5min	10min	15min	30min	60min	3h	5h	10h	20h
9.60V	110	70.5	58.0	34.0	20.8	8.85	6.07	3.35	1.74
10.2V	105	67.0	55.6	32.6	20.0	8.60	5.95	3.33	1.72
10.5V	98.6	63.0	52.8	31.0	19.0	8.25	5.77	3.30	1.68

**Constant Wattage Discharge Characteristics (Watt, 25°C)**

F.V/TIME	5min	10min	15min	30min	60min	3h	5h	10h	20h
9.60V	1155	762	637	381	237	104	71.7	40.0	20.9
10.2V	1101	724	611	365	228	101	70.3	39.8	20.6
10.5V	1035	680	580	348	205	97	68.2	39.4	20.2