

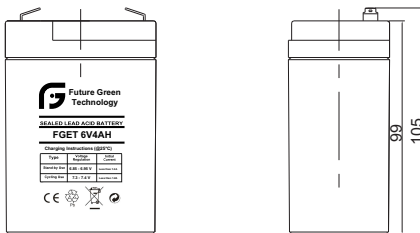
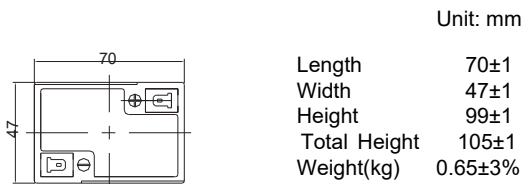
GENERAL FEATURES

- **Long Service Life** - Thick plate design and efficient gas recombination yield a service life expectancy of up to 10 years in standby mode.
- **Low Internal Resistance** - Superb high-rate discharge characteristics ensure reliable performance in UPS and Telecom applications.
- **Maintenance-Free, Non-Spillable** - Proven VRLA technology guarantees safe operation without maintenance and 'non-restricted article' status for transportation.
- **Low Self-Discharge** - Lead-calcium alloy grids and use of high purity lead account for superior shelf-life characteristics permitting storage for extended periods of time.
- **Designed-In Reliability** - Cutting-edge manufacturing and process control combined with meticulous quality assurance procedures guarantee consistent and dependable performance

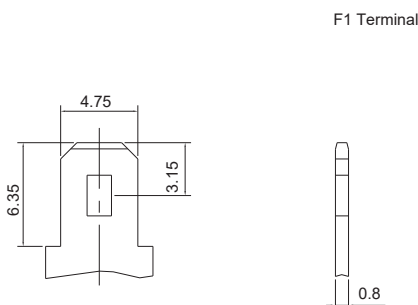
PERFORMANCE SPECIFICATIONS

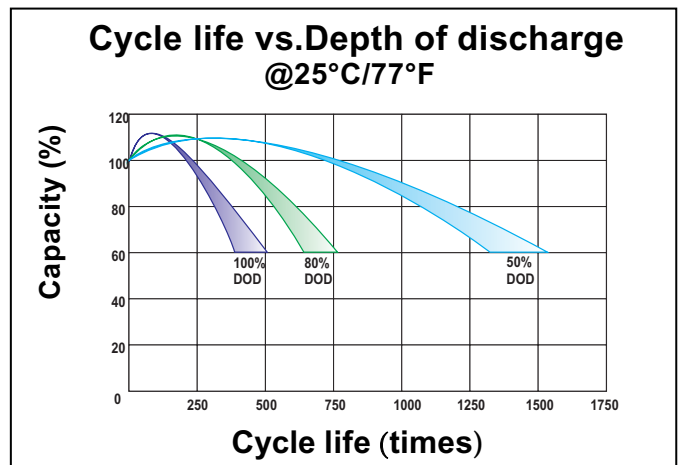
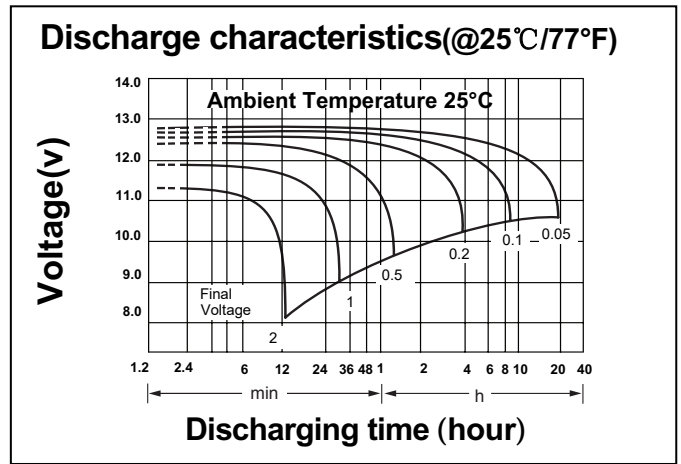
Nominal Voltage	6V(3 cells)	
Design Floating Life @25°C	12 Years	
Nominal Capacity @25°C	20 hour rate	4.0Ah
	10 hour rate	3.76Ah
	5 hour rate	3.58Ah
	3 hour rate	3.24Ah
	1 hour rate	2.551Ah
Internal Resistance	Full Charged Battery@25°C	<24mΩ
Energy Density (20-hr. rate)	69.48W-h/l	
Specific Energy (20-hr. rate)	36.93W-h/kg	
Shelf Life (nominal capacity at 20°C)	1 Month	97%
	3 Months	91%
	6 Months	83%
Standby Use Charge (Constant Voltage) @25°C	Initial Charging Current	
	Less than 1.2A Voltage 6.85 - 6.95V	
Cycle Use Charge (Constant Voltage) @25°C	Initial Charging Current	
	Less than 1.2A Voltage 7.30 - 7.40V	
Operating Temperature Range	Charge	0°C to 50°C
	Discharge	-20°C to 60°C

GENERAL FEATURES mm



TERMINALS mm





CONSTANT POWER DISCHARGE RATINGS

F.V/Time	5MIN	10MIN	15MIN	30MIN	1HR	2HR	3HR	4HR	5HR	8HR	10HR	20HR
1.60V	15.86	10.34	7.630	4.416	2.551	1.505	1.094	0.871	0.736	0.492	0.400	0.208
1.65V	15.29	10.035	7.430	4.319	2.504	1.483	1.080	0.861	0.727	0.487	0.397	0.207
1.70V	14.54	9.631	7.167	4.191	2.442	1.454	1.060	0.846	0.716	0.480	0.391	0.204
1.75V	13.58	9.107	6.825	4.023	2.359	1.415	1.035	0.827	0.701	0.471	0.385	0.201
1.80V	12.38	8.439	6.385	3.805	2.252	1.364	1.001	0.802	0.681	0.460	0.376	0.197