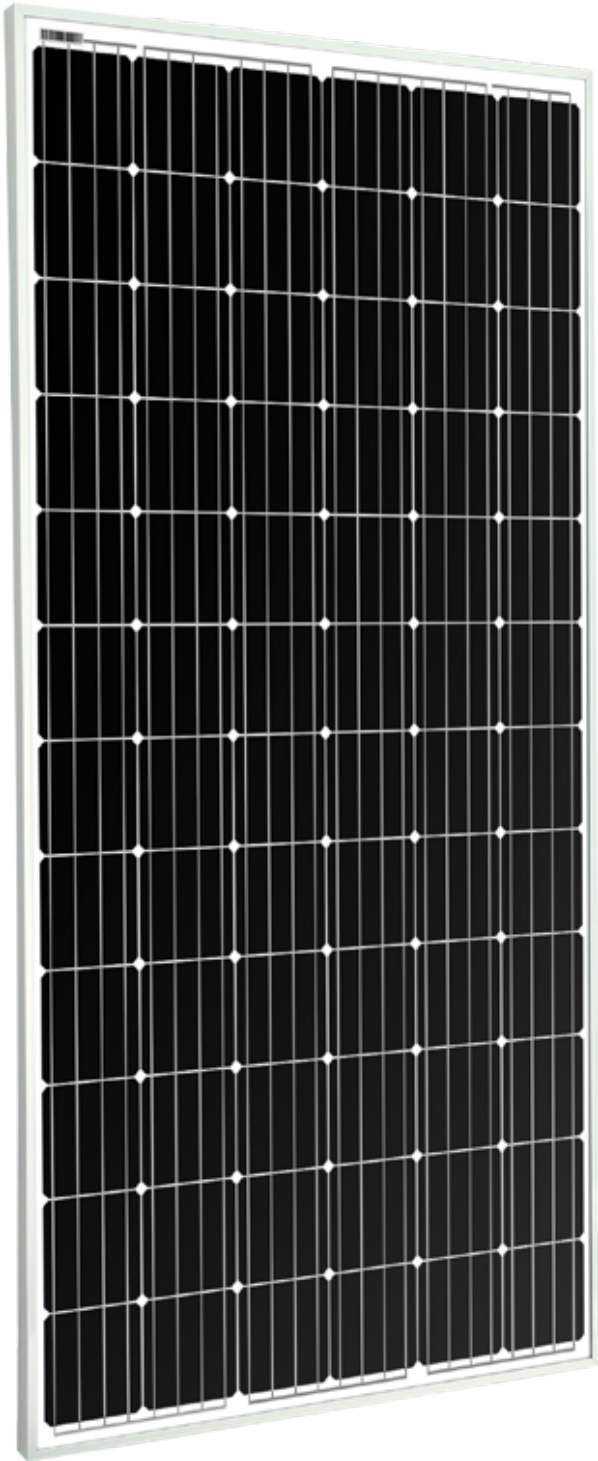


# TM-Series

## TM-M672365/375

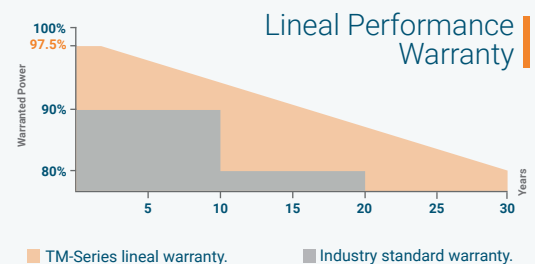


Monocrystalline  
PERC Solar Cells

365-375W  
Power Range

19.3%  
Efficiency

0/+5W  
Tolerance



10 YEARS PRODUCT · 30 YEARS POWER

### Key Features



#### Free PID

TM-Series has proved resistance to degradation induced power.



#### Advanced glass

High transmission glass resulting in increased energy production.



#### High efficiency and durability

Manufacturing process certified, excellent performance under low light environments.



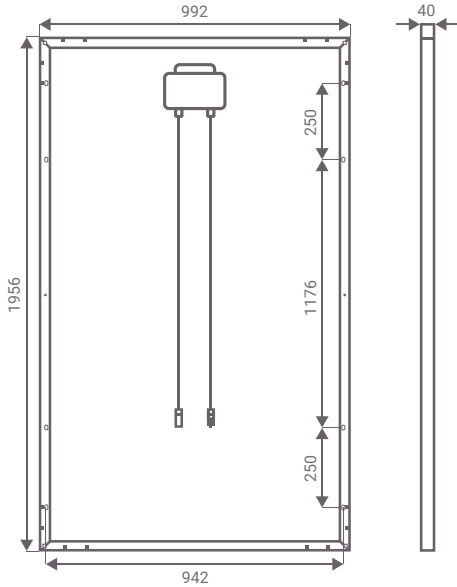
#### Robust and corrosion free modules

Certified to withstand the most challenging environmental conditions.

# TM-M672365/375

MONOCRYSTALLINE PV MODULES - PERC

# TM-Series



## ELECTRICAL DATA

| STC                             | TM M672365 | TM M672370 | TM M672375 |
|---------------------------------|------------|------------|------------|
| Maximum Power at STC (Pmax)     | 365 W      | 370 W      | 375 W      |
| Optimum Operating Voltage (Vmp) | 39.3 V     | 39.7 V     | 40.0 V     |
| Optimum Operating Current (Imp) | 9.30 A     | 9.33 A     | 9.37 A     |
| Open Circuit Voltage (Voc)      | 48.0 V     | 48.3 V     | 48.5 V     |
| Short Circuit Current (Isc)     | 9.77 A     | 9.83 A     | 9.88 A     |
| Module Efficiency               | 18.8 %     | 19 %       | 19.3 %     |

Electric characteristics at normal standard conditions (STC)  
STC Conditions: Irradiance: 1.000W/m<sup>2</sup>, cell temperature: 25°C, AM=1.5

| NOCT                            | TM M672365 | TM M672370 | TM M672375 |
|---------------------------------|------------|------------|------------|
| Maximum Power at STC (Pmax)     | 272 W      | 276 W      | 279 W      |
| Optimum Operating Voltage (Vmp) | 36.4 V     | 36.8 V     | 37.1 V     |
| Optimum Operating Current (Imp) | 7.47 A     | 7.50 A     | 7.53 A     |
| Open Circuit Voltage (Voc)      | 44.6 V     | 44.9 V     | 45.1 V     |
| Short Circuit Current (Isc)     | 7.89 A     | 7.94 A     | 7.98 A     |

Electric characteristics at normal operation conditions (NOCT)  
NOCT Conditions: Irradiance: 800W/m<sup>2</sup>, ambient temperature: 20°C, AM=1.5, wind speed: 1m/s

## GENERAL CHARACTERISTICS

|            |                |
|------------|----------------|
| Dimensions | 1956x992x40 mm |
| Weight     | 23 Kg          |

## PACKAGING

|                                 |    |
|---------------------------------|----|
| Modules per Pallet              | 23 |
| N° pallets per HC Container 40' | 22 |

The max capacity per container are 550 modules

## TEMPERATURE RATING

|                       |            |
|-----------------------|------------|
| NOCT                  | 44 ± 2° C  |
| Coefficient of (Pmax) | -0.41 %/°C |
| Coefficient of (Voc)  | -0.32 %/°C |
| Coefficient of (Isc)  | +0.05 %/°C |

## OPERATIVE CONDITIONS

|                                |                   |
|--------------------------------|-------------------|
| Power Tolerance                | 0/+5W             |
| Max. System Voltage            | 1.000 V / 1.500 V |
| Max. Series Fuse Rating        | 15 A              |
| Operating Temperature Range    | -40° C to 85 °C   |
| Max. Static Load, Front (Snow) | 5400 Pa           |
| Max. Static Load, Back (Wind)  | 2400 Pa           |
| Fire Rating                    | Class C           |

## CERTIFICATIONS



IEC 61215, IEC 61730, ISO 9001:2008, ISO 14001:2004, BS OHSAS 18001:27, PV Cycle, UL, MCS, PID, WEEE.

## MECHANICAL CHARACTERISTICS

|                      |                                    |
|----------------------|------------------------------------|
| Solar Cells          | Monocrystalline silicon 156x156 mm |
| Cell Arrangement     | 72 cells in series                 |
| Front Cover          | Low-iron tempered glass 3.2 mm     |
| Frame                | Silver, Anodized aluminum          |
| Encapsulant          | EVA (ethylene vinyl acetate)       |
| Junction Box         | IP68                               |
| Cables (length/area) | 1000 mm / 4 mm <sup>2</sup>        |
| Connectors           | MC4 Compatible                     |

**Caution:**  
To operate, install and manage Tamesol's modules, read the installation manual and use carefully.

**Observations:**  
This Datasheet is subject to change without notice due to continuous improvement of our products. You can find all records of the updates on our website [www.tamesol.com](http://www.tamesol.com) or by contacting one of our sales staff. All rights reserved ©Tamesol ®

Authorized Partner:

