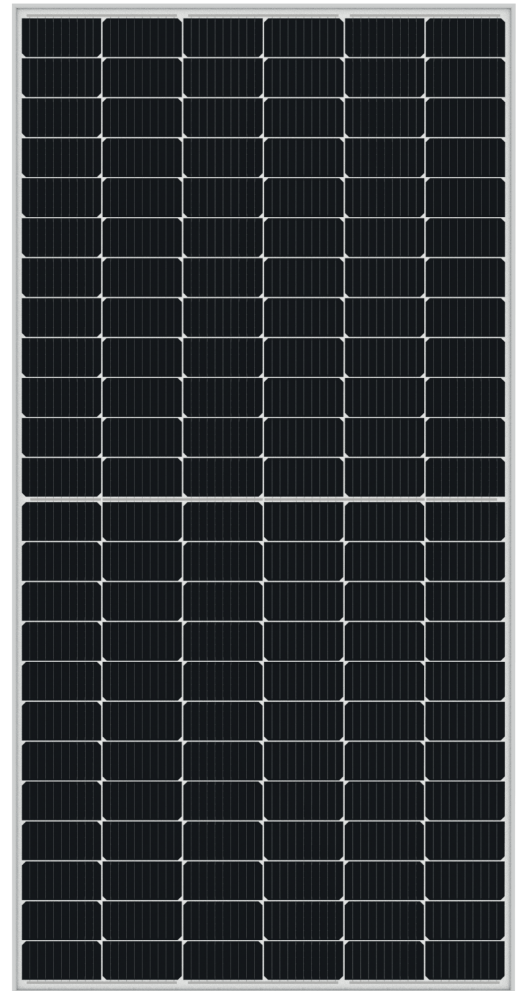


MHH series solar panels

autarco

Autarco's MHH series solar panels use 144 halfcut monocrystalline PERC cells with advanced multi-wire technology to deliver higher efficiency without compromising on reliability at a rated voltage of 1500V DC. The ability to withstand mechanical loads of up to 5400 Pa, combined with superior resistance to sand, salt and ammonia delivers long lasting performance in even the harshest environments.



25

Insured linear 25-year power output guarantee up to 83.1%
12-year product warranty for materials and processing



Multiwire technology for superior reliability and performance



Halfcut PERC technology for reduced resistance loss and improved shade tolerance



PID resistant



Aesthetic cell colour consistency and hail resistant durability (45mm @ 30 m/s)

QUALITY CERTIFICATES

- ♦ IEC 61215, IEC 61730, C US, CNAS, IEC/TS 62941
- ♦ ISO 9001, ISO 14001, OHSAS 18001, CE

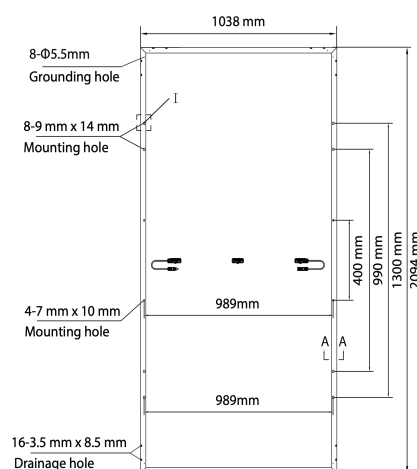


LLOYD'S
Underwriters

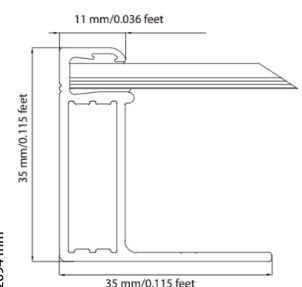
CELLS AND CONSTRUCTION

Cells	144 cells (166 x 83 mm) in a 6 x 24 matrix connected in series
Junction box	IP rating: IP67 Cable length: 1300mm Connector: Staubli MC4
Diodes	3 by-pass diodes
Construction	Front: 3.2mm glass (coated) Backsheet: PET/F-coating (white) Encapsulant: EVA
Frame	Anodized aluminum
Weight	23.5 kg
Dimensions	2094 x 1038 x 35mm

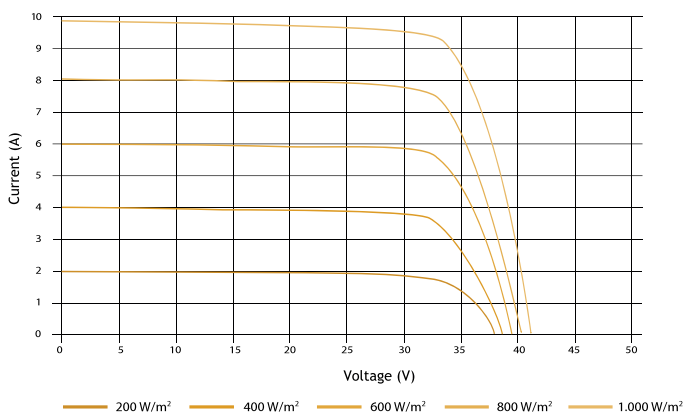
Solar panel



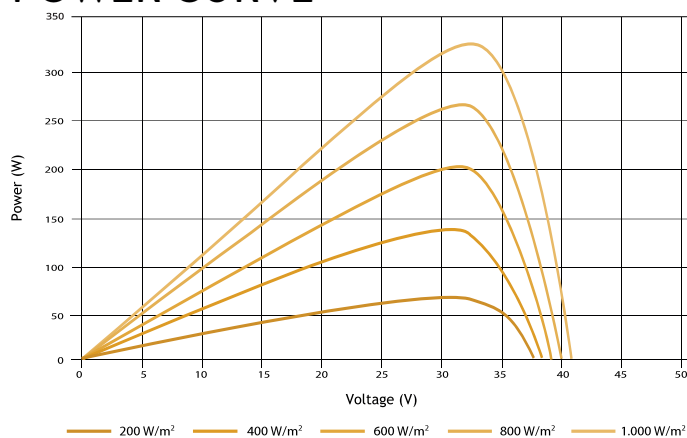
Frame cross section



IV CURVE



POWER CURVE



ELECTRICAL CHARACTERISTICS

		S1.MHH430	S1.MHH435	S1.MHH440	S1.MHH445	S1.MHH450
Power output (Wp) *	(Pmax)	430	435	440	445	450
Power output tolerance (W)	(Δ Pmax)	0/+5W	0/+5W	0/+5W	0/+5W	0/+5W
Open circuit voltage (V)	(Voc)	47.99	48.25	48.50	48.80	49.05
Short circuit current (A)	(Isc)	11.10	11.16	11.24	11.30	11.37
Max. power voltage (V)	(Vmax)	40.45	40.65	40.85	41.05	41.32
Max. power current (A)	(Imax)	10.63	10.70	10.77	10.84	10.89
Module efficiency (%)	(η)	19.5	19.7	20.0	20.2	20.4
Maximum system voltage (V)		1500	1500	1500	1500	1500
Maximum series fuse rating (A)		20	20	20	20	20

* Electrical values at standard test conditions (STC): irradiation 1000W/m², air density AM1.5 and cell temperature 25°C

TEMPERATURE CHARACTERISTICS

Isc (α)	+0.0400% / °C
Voc (β)	-0.2769% / °C
Pmax (γ)	-0.3528% / °C
Nominal operating cell temperature	44°C (+/- 2°C)

OTHER CHARACTERISTICS

Operating temperature	-40°C to 85°C
Max. load	5400 (front) / 2400 Pa (back)
Passed hail test	45mm hail @ 30.7m/s
Fire performance	Class C (IEC) or Type 1 (UL)
Weight of packaging	770 kg
Standard packaging	31 pcs / pallet
Quantity per 40'HQ container	682 pcs

The specifications contained in this datasheet may deviate slightly from our actual products due to on-going product improvement and are subject to change at any time without prior notice.

