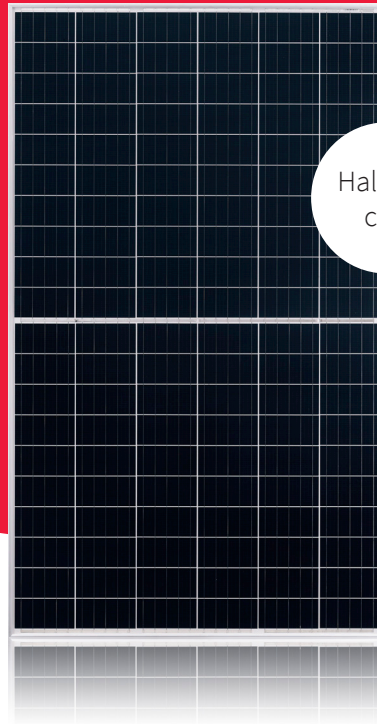


NU-JC330

# NU-JC Series

330 W

The High Performer



Half-cut cell

## Powerful product features



Guaranteed positive power tolerance (0/+5%)



Tested and certified  
VDE, IEC/EN61215, IEC/EN61730



Safety class II, CE  
Fire rating class C  
MCS accredited product



5 busbar technology  
Improved reliability  
Higher efficiency  
Reduced series resistance



PERC monocrystalline silicon photovoltaic modules  
High module efficiency 19.5%



Half-cut cell  
Improved shading performance  
Lower internal losses  
Reduced hot spot risk



Robust product design  
PID resistance test passed  
Salt mist test passed (IEC61701)  
Ammonia test passed (IEC62716)  
Dust and sand test passed (IEC60068)

## Your solar partner for life



60 years of solar expertise



Linear power output guarantee



Product guarantee



Local support team in Europe



50 million PV modules installed



Top PV brand award



Energy Solutions

**SHARP**  
Be Original.

\* Applicable for modules installed in countries as shown in the guarantee conditions.

## Electrical data (STC)

### NU-JC330

Maximum power	$P_{max}$	330	$W_p$
Open-circuit voltage	$V_{oc}$	41.32	V
Short-circuit current	$I_{sc}$	10.35	A
Voltage at point of maximum power	$V_{mpp}$	34.27	V
Current at point of maximum power	$I_{mpp}$	9.63	A
Module efficiency	$\eta_m$	19.5	%

STC = Standard Test Conditions: irradiance 1,000 W/m<sup>2</sup>, AM 1.5, cell temperature 25 °C.

Rated electrical characteristics are within ±10% of the indicated values of  $I_{sc}$ ,  $V_{oc}$  and 0 to +5% of  $P_{max}$  (power measurement tolerance ±3%).

## Electrical data (NMOT)

### NU-JC330

Maximum power	$P_{max}$	245.57	$W_p$
Open-circuit voltage	$V_{oc}$	39.16	V
Short-circuit current	$I_{sc}$	8.39	A
Voltage at point of maximum power	$V_{mpp}$	31.81	V
Current at point of maximum power	$I_{mpp}$	7.72	A

NMOT = Nominal Module Operating Temperature: 45 °C, irradiance 800 W/m<sup>2</sup>, air temperature of 20 °C, wind speed of 1 m/s.

## Mechanical data

Length	1,684 mm
Width	1,002 mm
Depth	40 mm
Weight	19.5 kg

## Temperature coefficient

$P_{max}$	-0.353%/°C
$V_{oc}$	-0.269%/°C
$I_{sc}$	0.037%/°C

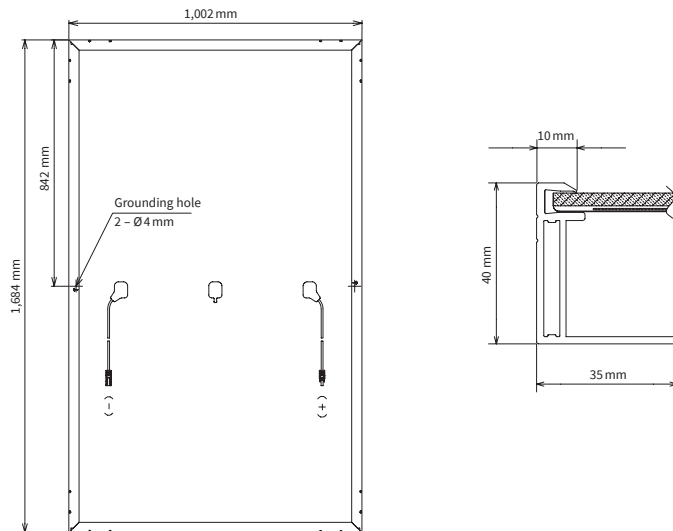
## Limit values

Maximum system voltage	1,000 V DC
Over-current protection	20 A
Temperature range	-40 to 85 °C
Max. mechanical load (snow/wind)	2,400 Pa
Tested snow load (IEC61215 test pass*)	5,400 Pa

## Packaging data

Modules per pallet	26 pcs
Pallet size (L × W × H)	1.74 m × 1.12 m × 1.19 m
Pallet weight	Approx. 540 kg

## Dimensions (mm)



\*Please refer to SHARP's installation manual for details.

## General data

Cells	Half-cut cell mono, 159 mm × 79.5 mm, 2 strings of 60 cells in series
Front glass	Anti-reflective high transmissive low iron tempered glass, 3.2 mm
Frame	Anodized aluminium alloy, silver
Backsheet	White
Connection box	IP68 rating, 3 bypass diodes
Cable	∅ 4.0 mm <sup>2</sup> , length 1,200 mm
Connector	MC4 (Multi Contact, Stäubli), IP68

Note: Technical data is subject to change without prior notice. Before using SHARP products, please request the latest data sheets from SHARP. SHARP accepts no responsibility for damage to devices which have been equipped with SHARP products on the basis of unverified information. The specifications may deviate slightly and are not guaranteed. Installation and operating instructions are to be found in the corresponding handbooks, or can be downloaded from [www.sharp.eu](http://www.sharp.eu). This module should not be directly connected to a load.