

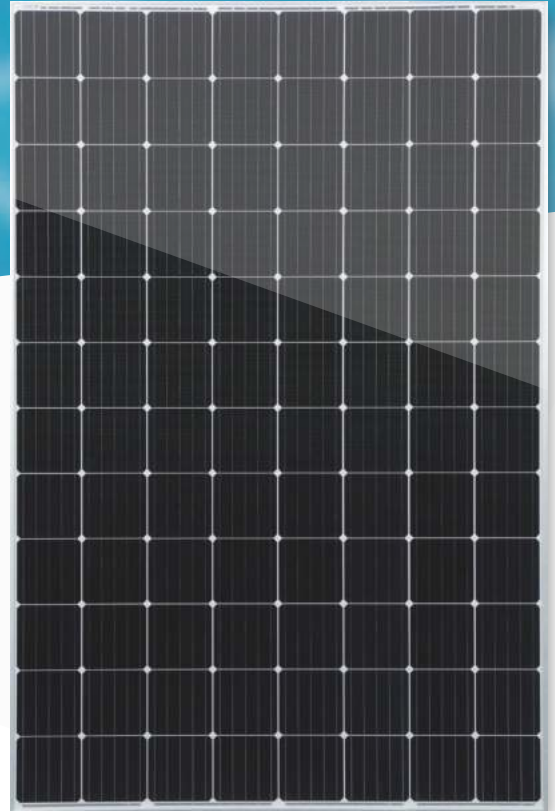
SPM6-96 460-510 Watt

MONO CRYSTALLINE MODULE

- SP460M6-96
- SP465M6-96
- SP470M6-96
- SP475M6-96
- SP480M6-96
- SP485M6-96
- SP490M6-96
- SP495M6-96
- SP500M6-96
- SP505M6-96
- SP510M6-96



SpolarPV
Easy Invest, More Returns



19.90%

Module efficiency



Product warranty

510 W

Highest power output



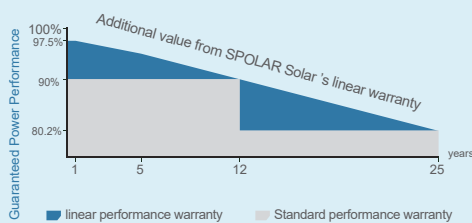
Linear power warranty

0 ~ +5W

Positive power tolerance

Key Features

Linear Performance Warranty



High Efficiency

Higher module conversion efficiency benefit from Passivated Emitter Rear Contact (PERC) technology.



PID Resistant

Excellent Anti-PID performance guarantee limited power degradation for mass production.



Low-light Performance

Advanced glass and cell surface texture design ensure excellent performance in low light environment.



Severe Weather Resilience

Certified to withstand: wind load (2400 Pascal) and snow load (5400 Pascal).



Durability against extreme environmental conditions

High salt mist and ammonia resistance.



ISO9001:2016 ISO14001:2016
OHSAS18001:2011 certified factory.
IEC61215 IEC61730 certified products.



www.spolarpv.com

Electrical Characteristics at Standard Test Conditions (STC) / Normal Operating Cell Temperature (NOCT)

Module Type	SP460M6-96	SP465M6-96	SP470M6-96	SP475M6-96	SP480M6-96
Maximum Power -Pmax (W)	460 / 341	465 / 345	470 / 348	475 / 352	480 / 356
Maximum Power Voltage - Vmp (V)	51.19 / 49.33	51.46 / 47.73	51.73 / 48.13	52.23 / 48.40	52.73 / 48.66
Maximum Power Current - Imp (A)	8.98 / 6.91	9.03 / 7.22	9.08 / 7.23	9.09 / 7.27	9.10 / 7.31
Open-circuit Voltage - Voc (V)	62.11 / 58.30	62.50 / 58.40	62.60 / 58.80	62.90 / 59.20	63.46 / 59.59
Short-circuit Current - Isc (A)	9.61 / 7.59	9.66 / 7.67	9.75 / 7.69	9.81 / 7.72	9.82 / 7.76
Module Efficiency STC (%)	17.95%	18.15%	18.34%	18.54%	18.73%

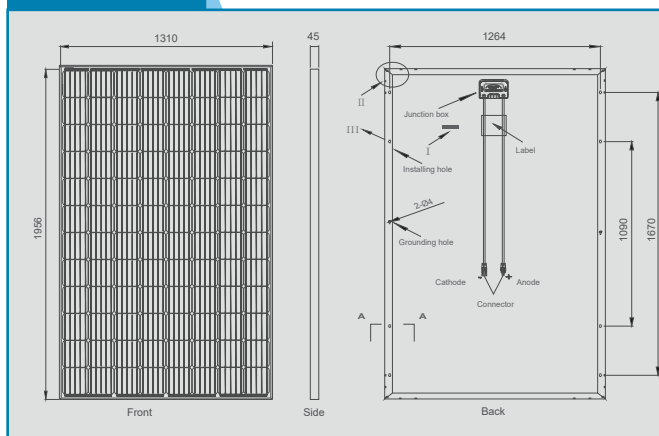
Electrical Characteristics at Standard Test Conditions (STC) / Normal Operating Cell Temperature (NOCT)

Module Type	SP485M6-96	SP490M6-96	SP495M6-96	SP500M6-96	SP505M6-96	SP510M6-96
Maximum Power -Pmax (W)	485 / 359	490 / 363	495 / 367	500 / 371	505 / 374	510 / 378
Maximum Power Voltage - Vmp (V)	53.1 / 48.91	53.48 / 49.24	53.85 / 49.69	54.21 / 50.27	54.53 / 50.58	54.85 / 51.47
Maximum Power Current - Imp (A)	9.13 / 7.34	9.16 / 7.37	9.19 / 7.38	9.22 / 7.38	9.26 / 7.39	9.29 / 7.41
Open-circuit Voltage - Voc (V)	64.22 / 60.73	64.57 / 60.91	64.96 / 61.28	65.32 / 61.68	65.61 / 61.79	65.96 / 61.98
Short-circuit Current - Isc (A)	9.81 / 7.68	9.86 / 7.74	9.89 / 7.78	9.94 / 7.81	9.99 / 7.86	10.04 / 7.92
Module Efficiency STC (%)	18.93%	19.12%	19.32%	19.51%	19.71%	19.90%
Power tolerance	0~+5W		Operating Temperature(°C)		-40 C ~+85 C	
Temperature coefficients of Pmax	-0.38%/C		Maximum system voltage		1000/1500V	
Temperature coefficients of Voc	-0.33%/C		Maximum series fuse rating		20A	
Temperature coefficients of Isc	0.05%/C		Nominal operating cell temperature		45±2 C	

Mechanical Characteristics

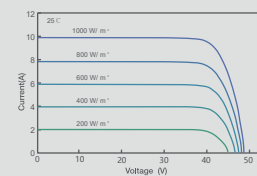
Cell Type	Mono-crystalline 156.75×156.75mm
No.of cells	96 (8×12)
Dimensions	1956×1310×40 / 45mm
Weight	26.5 kg
Front Glass	3.2mm, High Transmission, Low Iron, Tempered Glass
Frame	Anodized Aluminium Alloy
Junction Box	IP67 Rated
Output Cables	1×4.0mm ² , Length:900mm or Customized Length
Packaging Configuration	To be determined according to customized requests

Dimensions



IV-Curves

Current-Voltage Curve under different irradiance



Current-Voltage Curve under different working temperatures

