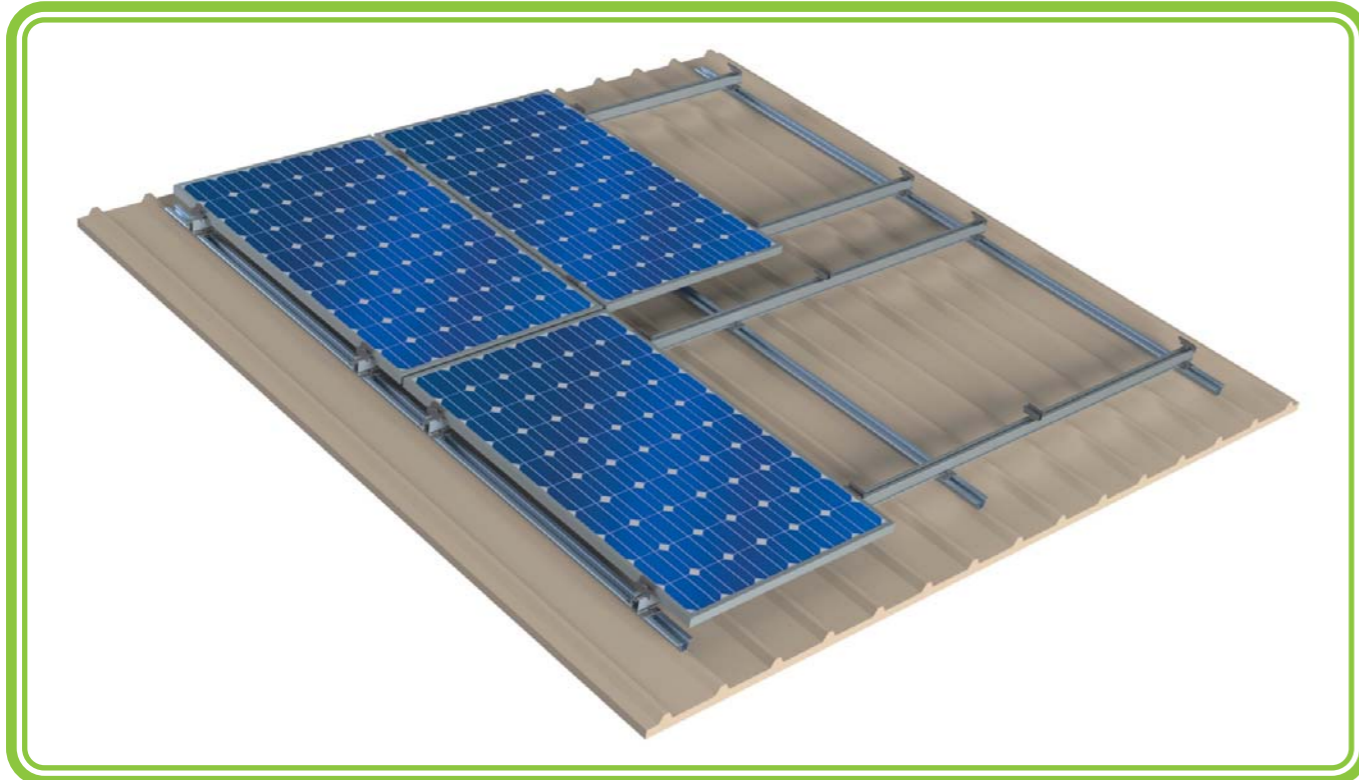


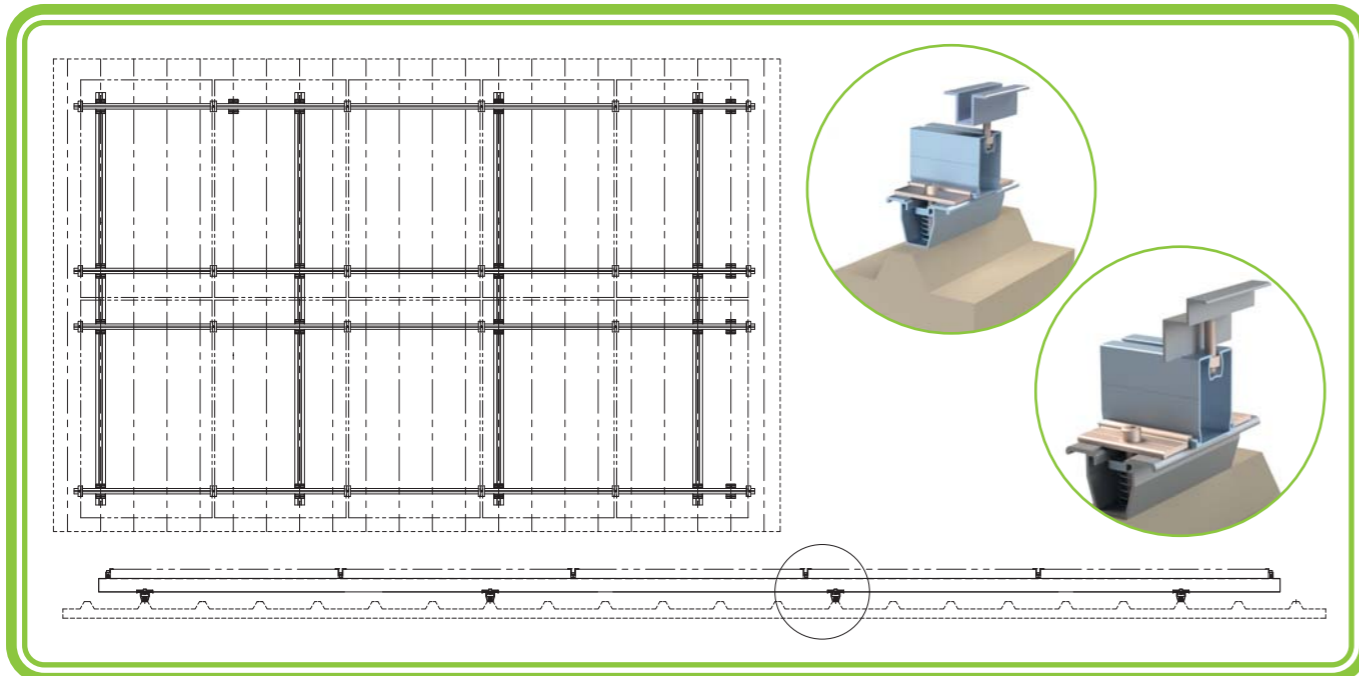
PSI SIGMA

Cross Rail Portrait System



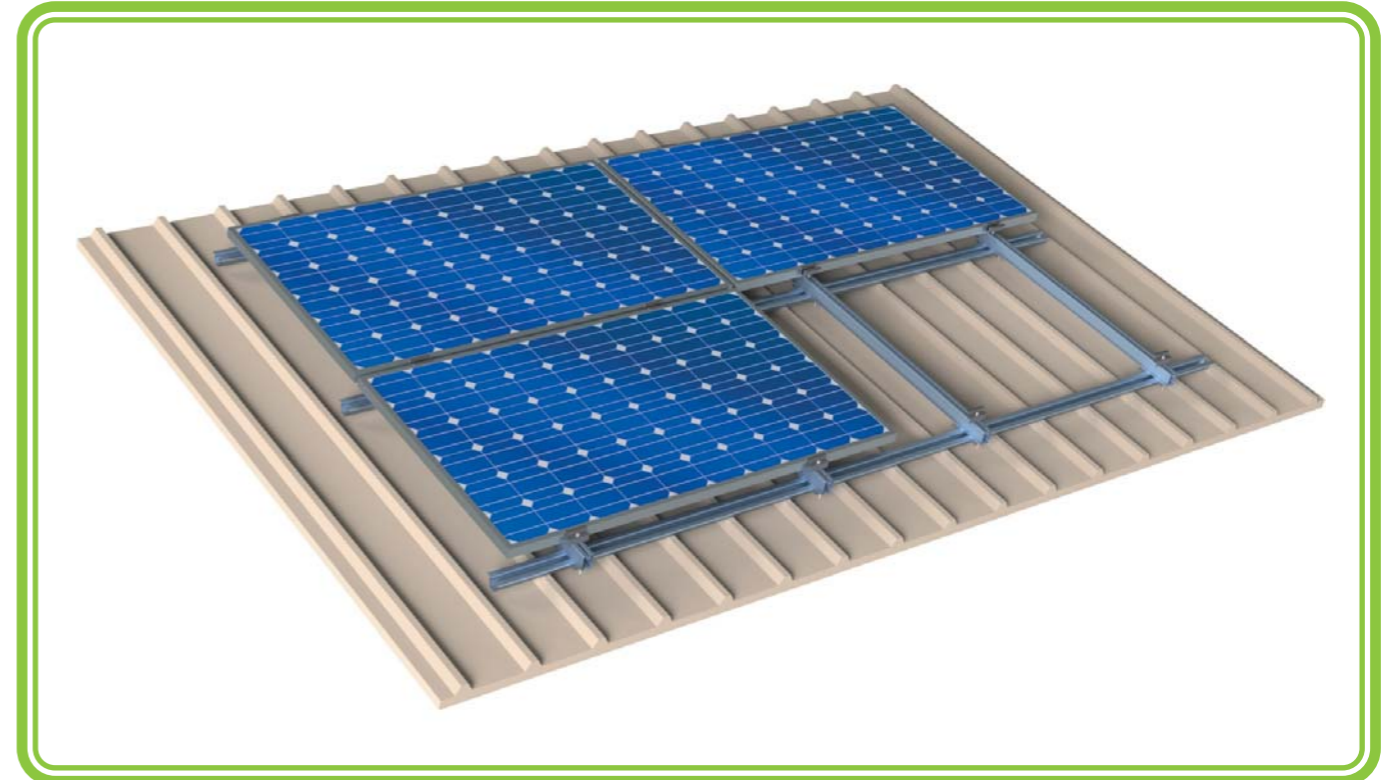
System Arrangement

- This mounting system can be designed and installed parallel to the Roof Top.
- For large scale projects customization of tables could be done.
- The Aluminum grade used is AA 6063 T6 with Silver Matt Anodising up to 15 - 18 microns.
- The fasteners are used as per CLASS A2 - 70.
- The Vertical distance is defined by the module dimensions of the Solar PV System.
- The Horizontal distance is defined by the type of the corrugated metal sheet and the type of the panel.
- The installation of the Base and Rail permits better air circulation and easy alignment on portrait orientation.
- TUV Certified Mounting Systems.



PSI SIGMA

Cross Rail Landscape System



System Arrangement

- This mounting system can be designed and installed parallel to the Roof Top.
- For large scale projects customization of tables could be done.
- The Aluminum grade used is AA 6063 T6 with Silver Matt Anodising up to 15 - 18 microns.
- The fasteners are used as per CLASS A2 - 70.
- The Vertical distance is defined by the purlin spacing of the Super Structure of the building.
- The Horizontal distance is defined by the type of the corrugated metal sheet and the type of the panel.
- The installation of the Base and Rail permits better air circulation and easy alignment on landscape orientation.
- TUV Certified Mounting Systems.

