



MADE IN EUROPE



Monocrystalline Photovoltaic Module

Back2Power 180 - 200 W

MX72



Italian production plant
assembling with european components



Ultra-robust module
35 mm frame thickness



Customized production
5 inch | 2BB



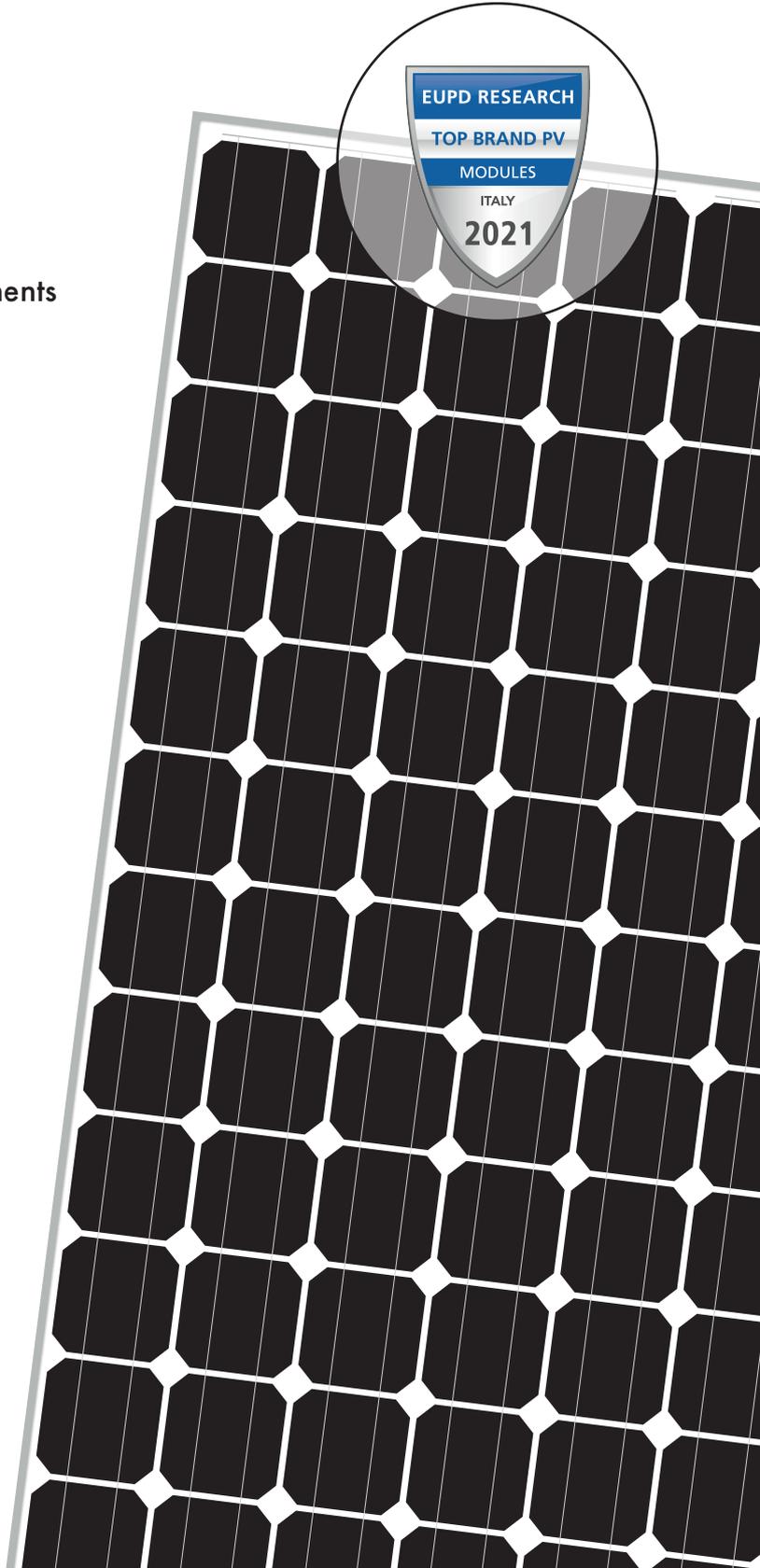
Positive tolerance in our
modules with **0/+5 wp**



Stäubli connectors
upon request



www.solarday.it



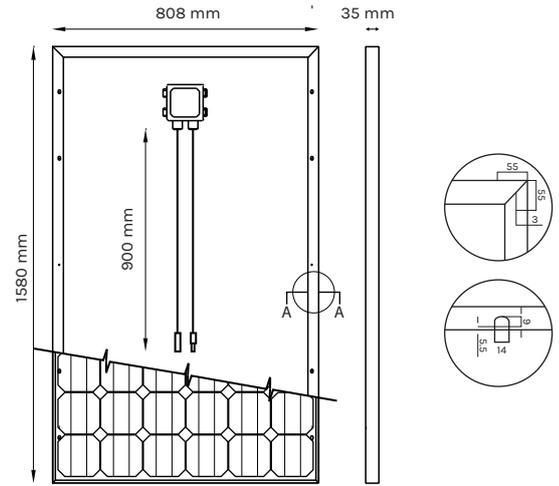
Monocrystalline Photovoltaic Module

Back2Power 180 - 200 W MX72



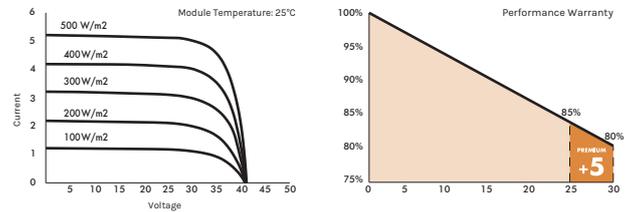
TECHNICAL FEATURES

Cells:	72 (6x12) Monocrystalline Silicon
Available in:	5"
Frontal Glass:	Glass with low iron content - thickness 3,2 mm Capa ARC < 20000 cd/m2 Frontal load (snow) 5400 Pa - Back load (wind) 2400 Pa
Encapsulant:	EVA (Etilen Vinil Acetato)
Backsheet:	Polymer sheet white
Frame:	Silver anodized aluminum 15 micron Grounding holes (For more information please contact our sales team)
Junction Box:	IP67/IP68 - 1500 V with 3 by pass diodes Cables length 900 mm Section: 4,0 mm2 ± 1% tolerance Fire Class 1 approval (UNI 9177)
Connectors:	MC4 or compatible connector



WEIGHT, DIMENSIONS AND PACKAGING

14 Kg | 1580 mm x 808 mm x 35 mm | 27 pcs pallet | 960 pcs truck



ELECTRICAL CHARACTERISTICS *

	MX72 180W	MX72 185W	MX72 190W	MX72 195W	MX72 200W
Peak power: Pmax (W)	180	185	190	195	200
Classification tolerance:	0/+5 W	0/+5 W	0/+5 W	0/+5 W	0/+5 W
Voltage Pmax: Vmpp (V)	35.60	35.90	36.20	36.45	36.70
Current Pmax: Impp (A)	5.06	5.16	5.25	5.35	5.45
Open circuit voltage: Voc (V)	44.03	44.13	44.23	44.33	44.43
Short-circuit current: Isc (A)	5.08	5.18	5.28	5.38	5.48
Maximum system voltage: (V)	1500	1500	1500	1500	1500
Module efficiency: (%)	14.10	14.49	14.88	15.27	15.67
Maximum fuse rating: (A)	15	15	15	15	15

*STC values: 1000W/m2, AM 1.5, temperature 25°C. Measurement tolerance +/-3% (AAA Solar simulation - IEC 60.904-9).

TEMPERATURE CHARACTERISTICS

Temperature Coeff. of Voc:	-0,32 % / °C
Temperature Coeff. of Isc:	+0,05 % / °C
Temperature Coeff. of Pmax:	-0,39 % / °C

OPERATIVE CHARACTERISTICS

Operating Temperature:	from -40°C to +85°C
Hailstorm Resistance:	Ø 28 mm, 86 Kg/h
NMOT*:	43 ± 2 °C

*Nominal Module Operating Temperature: Irradiance 800W/m², Temperature 20°C, Wind speed 1m/s

WARRANTIES

20 YEARS
Product Warranty

25 YEARS
Linear Warranty

PREMIUM
+5

SOLARDAY CERTIFICATES

IEC 61215:2016 | EN 61730-1:2016 | EN 61730-2:2016
UNI 9177 Class 1 Fire Class | FIRE TEST MST23 CLASSE C
IEC 62716:2013 | IEC 61701:2011
ECOEM

UNI EN ISO 9001:2015
UNI EN ISO 14001:2015
UNI EN ISO 45001:2018
CE

Read the instruction manual for this product before proceeding with the installation. All information in this brochure can be changed without notice by Solarday.

Office (ES)
Carrer de les Garrigues 17 p.1
46001 Valencia, España
contact@solarday.it +34962071775

Office (IT)
Via privata Antonio Meucci 67
20128 Milano, Italy
info@solarday.it +39022594171

Factory
Località Merlaro 1, 25070
Nozza di Vestone (BS), Italy
info@solarday.it