

ESPSC

Monocrystalline Solar Module



High-quality

With 60 cells and 3 bypass diodes in power classes from 250 to 260 Wp for grid connected systems.



Reliable

The high quality level of ERA SOLAR guarantees long life-time and high earnings.



Solid

An Aluminium hollow-chamber frame on each side combined with low-iron and tempered solar glass ensures high load capacity resistance.



Performance guarantee

ERA SOLAR grants a power guarantee of 90% of nominal power output up to 10 years and 80% up to 25 years.



WATTS
POSITIVE
TOLERANCE



YEARS
PRODUCT
WARRANTY



YEARS
PERFORMANCE
GUARANTEE 90%



YEARS
PERFORMANCE
GUARANTEE 80%

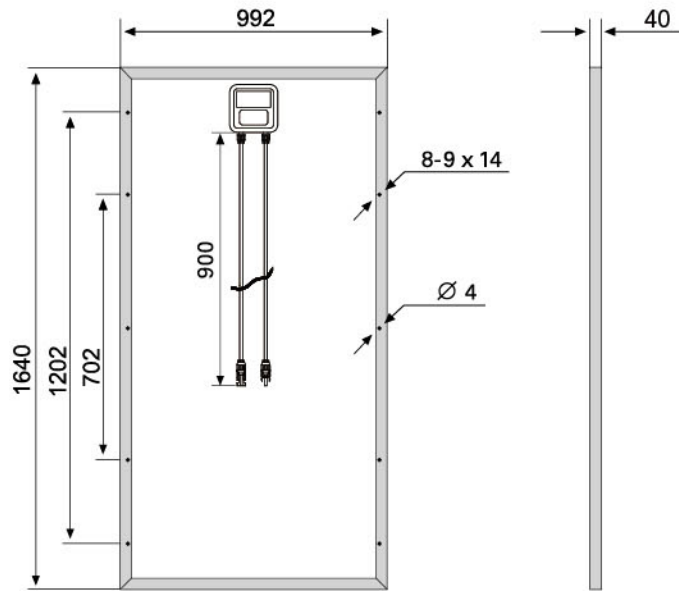


ESPSC

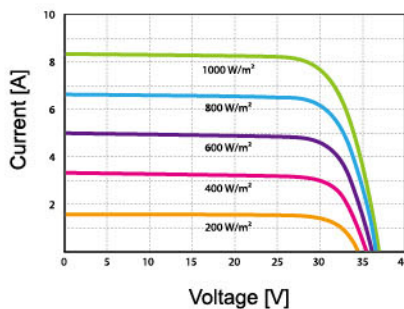
Monocrystalline Solar Module

SPECIFICATIONS

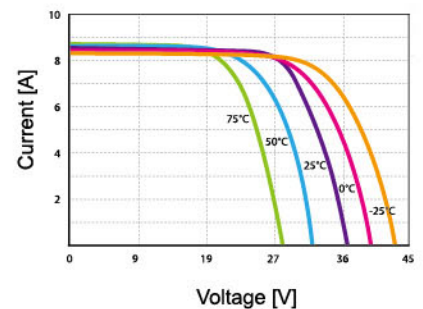
Dimensions	1640 x 992 x 35 mm 1640 x 992 x 40 mm 1640 x 992 x 45 mm
Weight	19.5 kg
Frame	Aluminium hollow-chamber frame on each side
Glass	Low-iron and tempered glass 3.2 mm
Cells	60 pcs monocrystalline Si-cells (156 x 156 mm)
Cell Embedding	EVA
Back-Foil	FEVE / PET / FEVE
Junction Box	TÜV certified
Cable	4 mm ² solar cable 2 x 900 mm
Temperature Range	-40°C ... +85°C
Load Capacity	2400 Pa(IEC 61215),35mm 5400 Pa(IEC 61215),45mm
Application class	Class A
Electrical protection class	Class II
Fire safety class	Class C
Product warranty	10 years
Power Guarantee	10 years 90% 25 years 80%



CURRENT-VOLTAGE CURVES



Module characteristics at constant module temperatures of 25°C and variable levels of irradiance



Module characteristics at variable module temperatures and constant module irradiance of 1.000 W/m²

CHARACTERISTICS

Max. System Voltage	1000V/DC
Temperature-Coefficient I_{sc}	+0.02973%/°C
Temperature-Coefficient V_{oc}	-0.38038%/°C
Temperature-Coefficient P_{mpp}	-0.57402%/°C
NOCT***	45°C

ESPMC TYPE

	250	255	260
Power Class	250W	255W	260W
Max. Power Voltage (V_{mpp})* at STC**	30.9V	31.15V	31.35V
Max. Power Current (I_{mpp}) at STC	8.1A	8.19A	8.3A
Open Circuit Voltage (V_{oc}) at STC	36.8V	36.8V	37V
Short Circuit Current (I_{sc}) at STC	8.75A	8.81A	8.92A
Module Efficiency	15.4 %	15.7 %	16%

* MPP: Maximum Power Point
 ** STC (Standard Test Conditions): 1000W/m², 25°C, AM 1.5
 *** Normal Operating Cell Temperature

CERTIFICATES

IEC 61215 edition 2 (TÜV Nord)
 (TÜV Rheinland)
 IEC 61730 MCS
 CE CEC PID SALT-MIST
 UL1703 CSA

INSURANCE

Chubb

