

Mono Perc

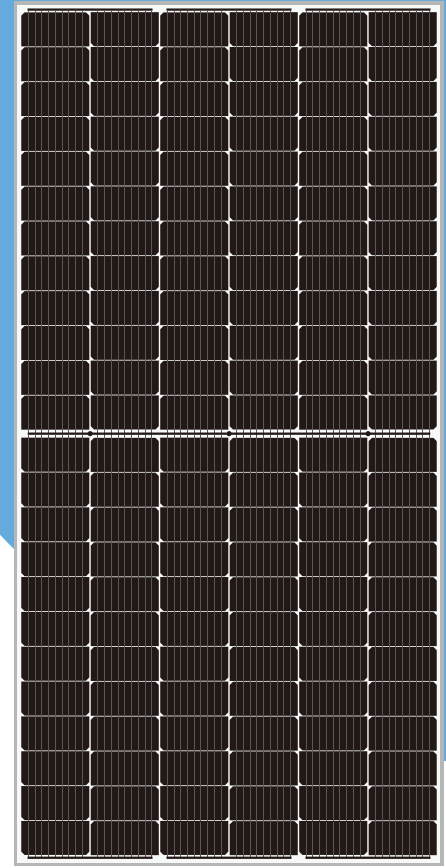
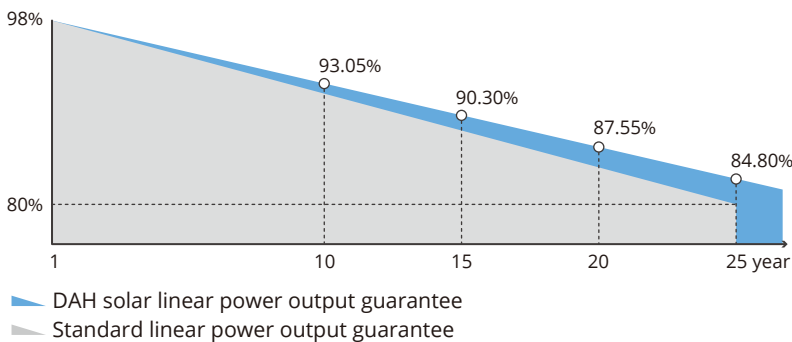
DHM-72L9

Half-Cell High Efficiency PV Module

Quality Guarantee

12-year Material & technology warranty

25-year Linear power output warranty



430~460W^{0 ~ +5W}

Max Module Efficiency

21.16%

Optimal Process Design
166mm+9BB+Half-cut, higher power output

Select Grade A Crystalline Silicon Solar Cells
Grade A crystalline silicon solar cells make high-power output with cost-effective

Stable Generation Performance
Guaranteed 0~+5W positive tolerance and slower power attenuation: first year ≤2%, 0.55% per year from 2-25

Process Upgraded
Lower risk of hot spot and stronger anti-PID ability

Higher Power Gains and Lower Losses
Excellent low irradiance performance and low shadow loss

Strong Environmental Adaptability and Great Durability
Certified by Dust-Sand, Salt-Mist, Ammonia etc. weather resistance tests and enhanced mechanical load: wind load (2400 Pascal) and snow load (5400 Pascal)

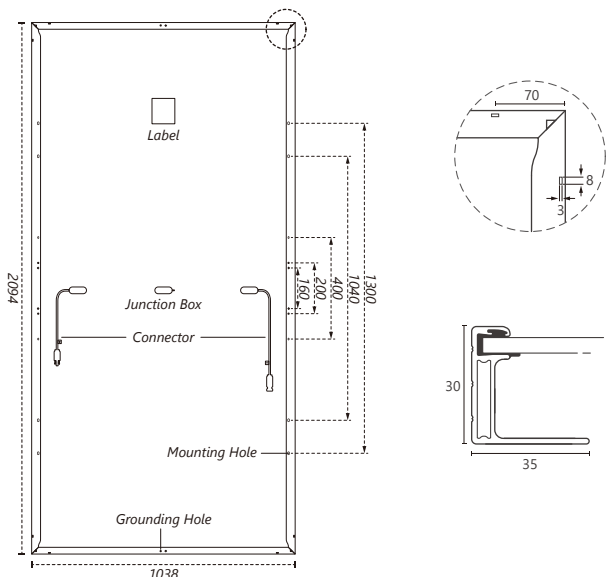
Comprehensive Products and System Certificates



IEC 61215 / IEC 61730 / CE / INMETRO
ISO 9001-
2015/Quality management system
ISO 14001-
2015/Standards for environmental management system
OHSAS 18001-
2007/International standards for occupational health & safety

DHM-72L9 430~460W

Design



Mechanical Specification

Cells Type
Mono 166×83mm

Weight
23.5kg

Cable
(Including connector)
No. of Cells
Glass
Junction box
Connector

Dimension (L×W×T)
2094×1038×30mm

Packing
36pcs/pallet, 792pcs/40HQ

4.0mm², Portrait: 300mm(+)/400mm(-)
Landscape: 1400mm(+)/1400mm(-)
144 (6×24)
3.2mm High Transmission, Antireflection Coating
IP68, 3 Bypass Diodes
MC4 Compatible

Operating Parameters

Maximum system voltage	1000V/1500V DC
Operating Temperature	-40 ~ +85°C
Maximum series fuse rating	20A
Snow load, frontside	5400Pa
Wind load, backside	2400Pa
Nominal operating cell temperature	45°C±2°C
Application level	Class A

STC-Electrical Characteristics

Module Type	DHM-72L9						
Maximum Power (P _{max})	430W	435W	440W	445W	450W	455W	460W
Open-circuit Voltage (V _{oc})	48.70V	48.85V	49.00V	49.15V	49.30V	49.45V	49.60V
Maximum Power Voltage (V _{mp})	41.51V	41.66V	41.81V	41.96V	42.11V	42.26V	42.41V
Short-circuit Current (I _{sc})	11.23A	11.26A	11.29A	11.32A	11.35A	11.38A	11.41A
Maximum Power Current (I _{mp})	10.36A	10.44A	10.52A	10.61A	10.69A	10.77A	10.85A
Module Efficiency (%)	19.78%	20.01%	20.24%	20.47%	20.70%	20.93%	21.16%
Temperature Coefficient of I _{sc}	0.05%/°C						
Temperature Coefficient of V _{oc}	-0.31%/°C						
Temperature Coefficient of P _{max}	-0.35%/°C						

Standard Test Environment : Irradiance 1000W/m², Cell temperature 25°C, Spectrum AM1.5

NOCT-Electrical Characteristics

Maximum Power (P _{max})	323W	327W	331W	334W	338W	342W	346W
Open-circuit Voltage (V _{oc})	46.09V	46.23V	46.37V	46.51V	46.66V	46.80V	46.94V
Maximum Power Voltage (V _{mp})	39.28V	39.43V	39.57V	39.71V	39.85V	39.99V	40.14V
Short-circuit Current (I _{sc})	9.06A	9.09A	9.11A	9.13A	9.16A	9.18A	9.21A
Maximum Power Current (I _{mp})	8.23A	8.29A	8.36A	8.42A	8.49A	8.55A	8.61A

Standard Test Environment : Irradiance 800W/m², Ambient temperature 20°C, Spectrum AM1.5, Wind speed 1m/s

I-V Curve (DHM-72L9-440W)

