

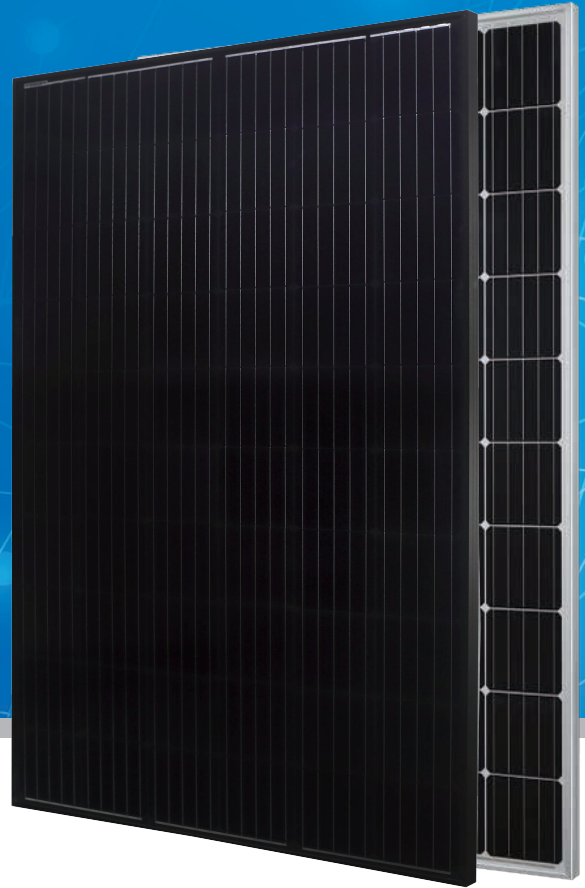
SK6610M

310/315/320W

60 CELLS

MONO 5BB

High Efficiency Module



PRODUCT FEATURES



High Efficiency

Output efficiency up to 19.7%
0~3% positive power tolerance



Excellent Low-Irradiance Performance

Superior electricity generation and temperature stability under low light conditions



Robust Mechanical Durability

Strong mechanical durability of 3600Pa snow load, 1600Pa wind load



COMPANY PROFILE

Akcome Optronics is a leading manufacturer and service provider of professional photovoltaic cells and modules that can be widely utilized in residence, commerce and ground photovoltaic plant. Founded in 2010, and became wholly-owned subsidiary of Jiangsu Akcome Science & Technology Co., Ltd. (002610).

Akcome Optronics provides PV products with exceptional power output and reliability by integrating rigorous design, advanced production technology and fully automatic production equipment. Strict quality control and test standards confirm its pursuit of high quality output.

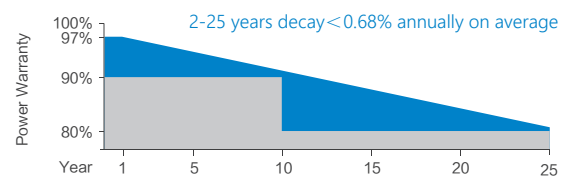
LINEAR PERFORMANCE WARRANTY

12 years

Product warranty on materials and workmanship

25 years

Linear power output warranty



CERTIFICATES

IEC 61215 / IEC 61730

ISO 9001: 2015

Quality Management System

ISO 14001: 2015

Environmental Management System

OHSAS 18001: 2007

Occupational Health & Safety Management System

*Certification requirements vary in different markets, please consult with Akcome Optronics sales team for appropriate certification.



SK6610M_{310/315/320W}

ELECTRICAL PARAMETERS @ STC

| Parameter | 310 | 315 | 320 |
|---|-------|-------|-------|
| Max. Power Output P _{max} (W) | 310 | 315 | 320 |
| Power Tolerance | 0~+3% | 0~+3% | 0~+3% |
| Max. Power Voltage V _{mp} (V) | 32.3 | 32.4 | 32.6 |
| Max. Power Current I _{mp} (A) | 9.60 | 9.72 | 9.82 |
| Open Circuit Voltage V _{oc} (V) | 40.1 | 40.3 | 40.5 |
| Short Circuit Current I _{sc} (A) | 10.09 | 10.20 | 10.31 |
| Module Efficiency (%) | 19.1 | 19.4 | 19.7 |

*STC (Standard Test Condition): Irradiance 1000W/m², Cell Temperature 25°C, Air Mass 1.5

*Measurement Tolerance (±3.0%)

ELECTRICAL PARAMETERS @ NMOT

| Parameter | 229.2 | 232.7 | 236.7 |
|---|-------|-------|-------|
| Max. Power Output P _{max} (W) | 229.2 | 232.7 | 236.7 |
| Max. Power Voltage V _{mp} (V) | 30.05 | 30.22 | 30.37 |
| Max. Power Current I _{mp} (A) | 7.63 | 7.70 | 7.79 |
| Open Circuit Voltage V _{oc} (V) | 37.01 | 37.19 | 37.38 |
| Short Circuit Current I _{sc} (A) | 8.16 | 8.25 | 8.34 |

*NMOT(Nominal Module Operation Temp): Irradiance 800W/m², Ambient Temperature 20°C, Wind Speed 1m/s

TEMPERATURE COEFFICIENTS

| | |
|---|------------|
| Temperature Coefficients of P _{mp} | -0.39%/°C |
| Temperature Coefficients of V _{oc} | -0.30%/°C |
| Temperature Coefficients of I _{sc} | +0.050%/°C |

MECHANICAL PARAMETERS

| | |
|----------------------|----------------------------|
| Cell Type | Mono 156.75x156.75mm |
| Number of Cells | 60pcs(6x10) |
| Dimensions (L*W*H) | 1640x992x35mm |
| Weight | 18.5kg |
| Frame | Anodised Aluminum |
| Junction Box | IP68, 3 bypass diodes |
| Cable, Length | 4.0mm ² , 900mm |
| Conenctors | JM601 & PV-KS(B)T4/xy-UR |

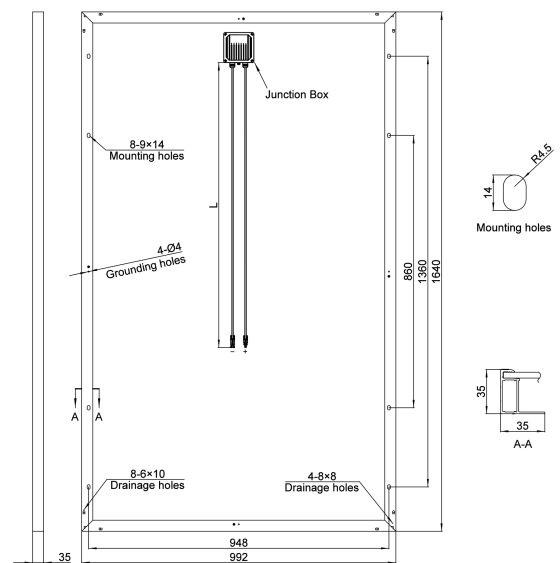
OPERATING CONDITION

| | |
|--------------------------------|---|
| Maximum System Voltage(V) | 1000(DC) |
| Operating Temperature(°C) | -40~+85 |
| Max. Wind Load / Snow Load(pa) | 1600/3600 (Mechanical Load Safety Factor 1.5) |
| Max. Over Current(A) | 20 |
| Application Class | Class A |
| Fire Rating | Class C |
| NMOT(°C) | 45±2 |

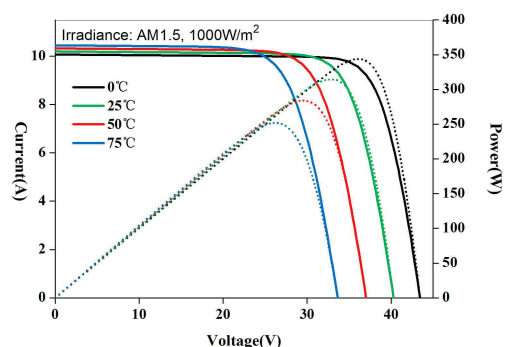
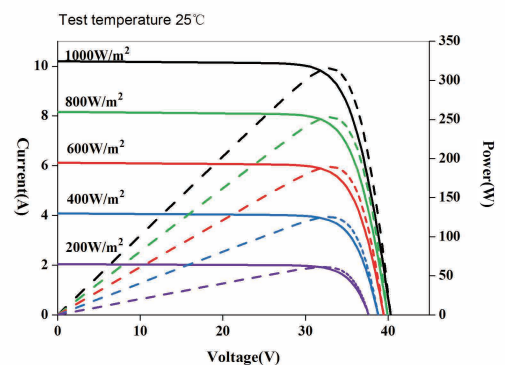
PACKAGE INFORMATION

| | |
|---------------------------------|--------------------------------------|
| Truck 9.6m / 13m / 17.5m | 670 / 938 / 1573pcs |
| Container 20'GP / 40'GP / 40'HQ | 360 / 840 / 896pcs |
| Quantity / Pallet | Truck: 30,30+7 pcs/CTNR: 30,30+4 pcs |

ASSEMBLY DRAWING (Unit: mm)



I-V CURVES / SK6610M-315



SUZHOU AKCOME OPTRONICS SCIENCE & TECHNOLOGY CO.,LTD.

Add: No. 110 Jintang Road, Zhangjiagang economic and Technological Development Zone, Jiangsu P.R. China

Tel: 400-101-7000

Email: modulesales@akcome.com

www.akoptronics.com

Made In China

