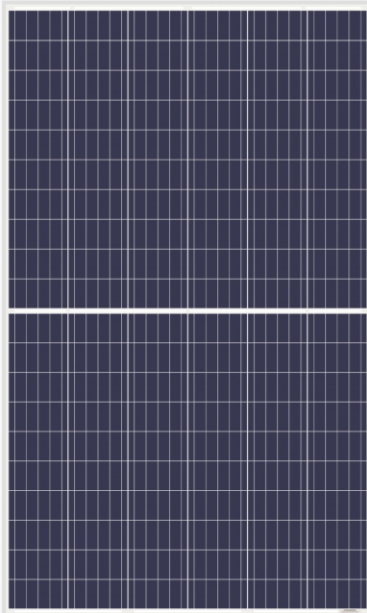


120 CELL
MONOCRYSTALLINE MODULE

320W-340W
POWER OUTPUT RANGE

20.15%
MAXIMUM EFFICIENCY

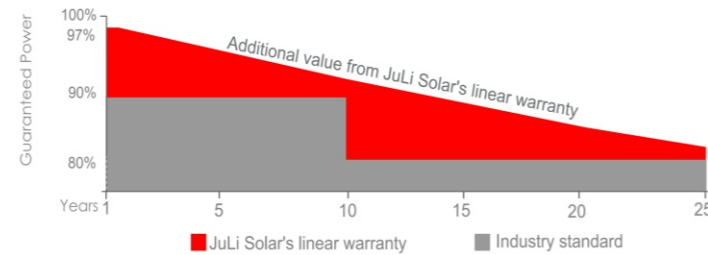
0~+5W
POSITIVE POWER TOLERANCE



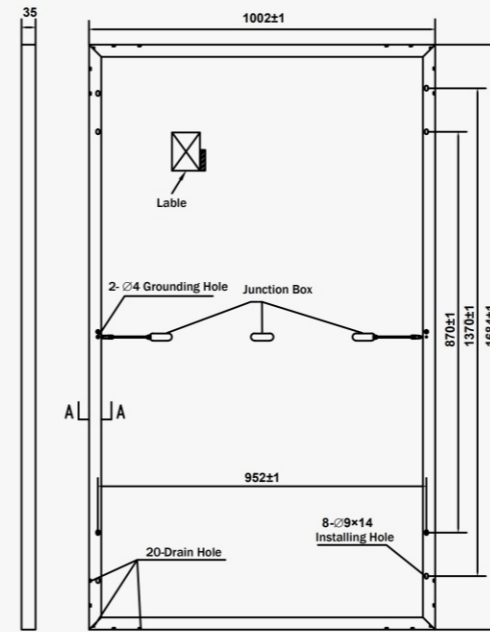
- Ideal for large scale installations**
 - High power footprint reduces installation time & BOS costs
- One of the industry's most trusted modules**
 - Field proven performance
 - Juli NewEnergy's financial solidity consistently confirmed by banks and investors
- Highly reliable due to stringent quality control**
 - Over 30 in-house tests(UV,HF,and many more)
 - In-house testing goes well beyond certification requirements
- Certified to withstand challenging environmental conditions**
 - 2400 Pa wind load
 - 5400 Pa snow load
- High conversion efficiency**
 - Due to top quality wafers
 - Advanced cell technology
- PID and snail trails free**
 - Selected encapsulating material
 - Stringent production process control
- Excellent performance under low irradiance**
 - Special cell process
- Additional yield and easy maintenance**
 - Highly transparent self-cleaning glass

LINEAR PERFORMANCE WARRANTY

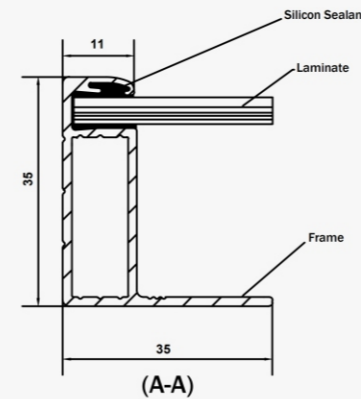
- 12-year product warranty
- 25-year linear power output warranty **0.6% Annual Degradation Over 25 years**



DIMENSIONS OF PV MODULE(mm)

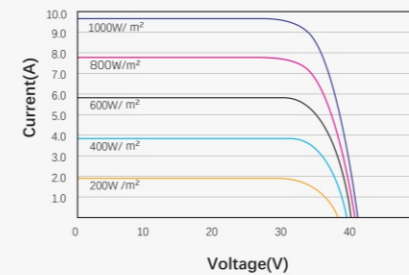


Back View

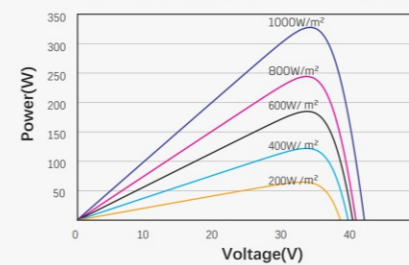


(A-A)

I-V CURVES OF PV MODULE(325W)



P-V CURVES OF PV MODULE(325W)



MECHANICAL DATA

Module Dimensions	1684 × 1002 × 35mm
Weight	19.5kg
Cell	Monocrystal 158.75mm × 79.375mm
Glass	3.2mm AR tempered
Frame	Anodized aluminum alloy
Junction Box	IP67
Cables	4.0 mm ² , 300mm (Customized Length)
Connector	MC4 compatible
Wind/Snow Load	2400 Pa /5400 Pa

ELECTRICAL DATA (STC)

Module Type (JLS60MH)	340W	335W	330W	325W	320W
	STC	STC	STC	STC	STC
Peak Power (P _{max})	340W	335W	330W	325W	320W
Open Circuit Voltage (V _{oc})	41.2V	40.9V	40.6V	40.3V	40.0V
Short Circuit Current(I _{sc})	10.45A	10.35A	10.25A	10.15A	10.05A
Maximum Power Voltage(V _{mp})	34.5V	34.3V	34.1V	33.9V	33.7V
Maximum Power Current (I _{mp})	9.86A	9.77A	9.69A	9.59A	9.50A
Module Efficiency	20.15%	19.85%	19.56%	19.26%	18.96%
Power Tolerance	0~+5W				
Maximum System Voltage	DC1000V/DC 1500V				
Max Series Fuse Rating	15A				

STC:Irradiance 1000W/m², 25°C, AM1.5

TEMPERATURE RATINGS

Temperature Coefficient of P _{max}	-0.37%/°C
Temperature Coefficient of V _{oc}	-0.30%/°C
Temperature Coefficient of I _{sc}	0.06%/°C
Operational Temperature	-40~+85°C
NOCT(Nominal Operating Cell Temperature)	45 ± 2°C

PACKAGING CONFIGURATION

Container	20GP	40HQ
Quantity/pallet	30	30
Pallets/container	12	26
Quantity/container	360	864

Specifications are subject to change without prior notice

ISO9001:2015 Quality management systems
ISO14001: 2015 Quality management systems
OHSAS18001: 2018 Occupational health and safety management systems

IEC61215, IEC61730, UL1703 certified product

