

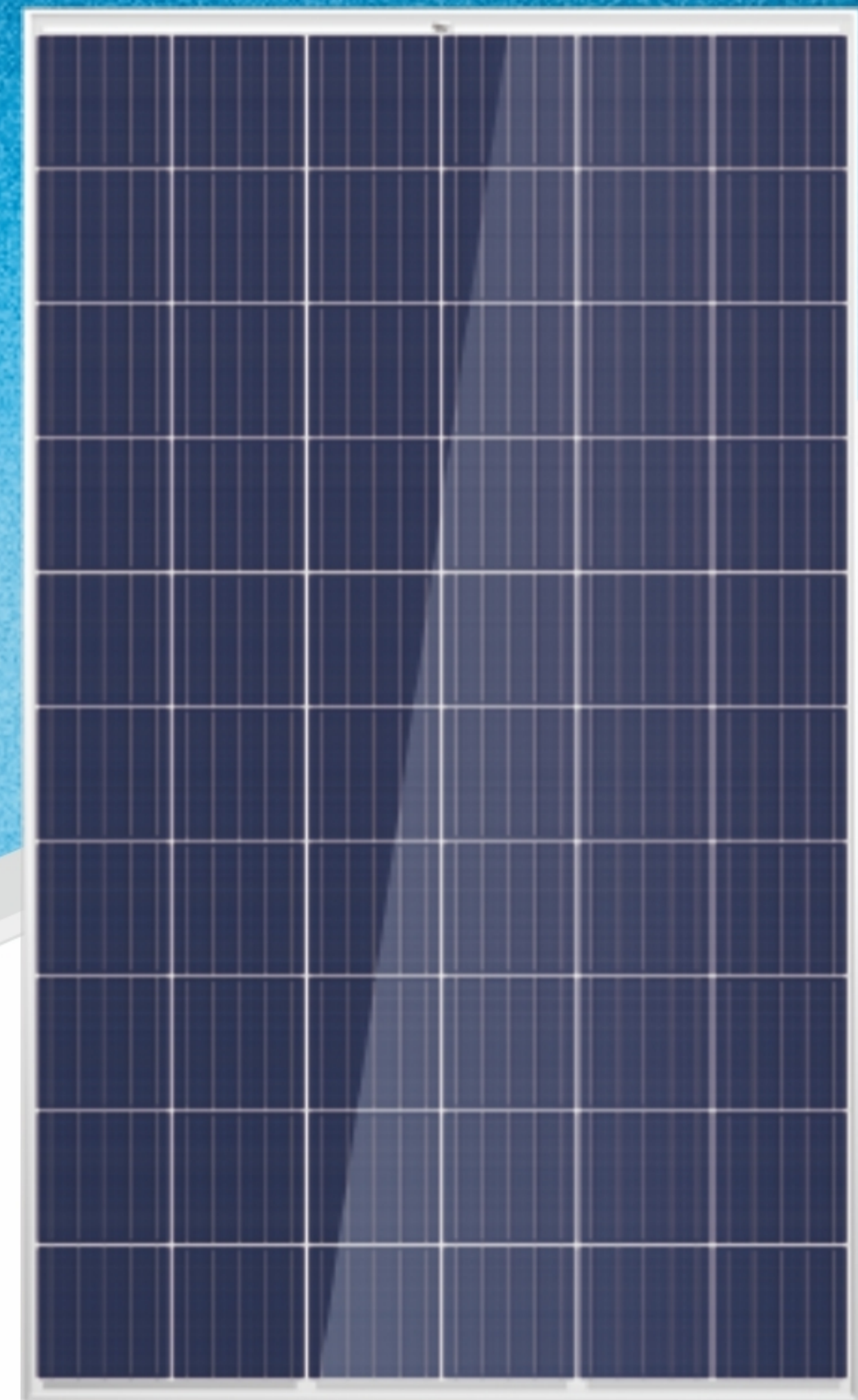


TUNGHSU

156.75 series

Poly solar modules

60 cells 5BB modules



270-290W

► Tunghsu components with high efficiency and high reliability

- * Advanced production equipment, highly automated process control, world-class production technology
- * The company has a product research and development laboratory that meets the new ISO/IEC international standards
- * Excellent weak light performance, resistant to salt spray and ammonia corrosion.
- Passing the certification test of the PV standards.
- * Certified by international quality management and environmental management system
- * Application grade:A, Safe grade: II , Fireproofing grade:C

► Comprehensive Products And System Certificates

IEC61215/IEC61730/UL1703/IEC61701/IEC62716
 ISO 9001: Quality Management System
 ISO 14001: Environmental Management System
 ISO 45001: Occupation Health and Safety Management System
 GB/T 23001-2017: Management system with Integration of Information Technology and Industrialization



Excellent low light performance on cloudy days mornings and evenings



Advanced surface texturing
 Back surface field
 Selective emitter

Maximize Limited Space



Maximum power to 290 w
 Up to 177w/m² power density

Highly reliable due to stringent quality control



In-house testing goes well beyond certification requirements (UV, TC, HF, and many more)
 PID resistant

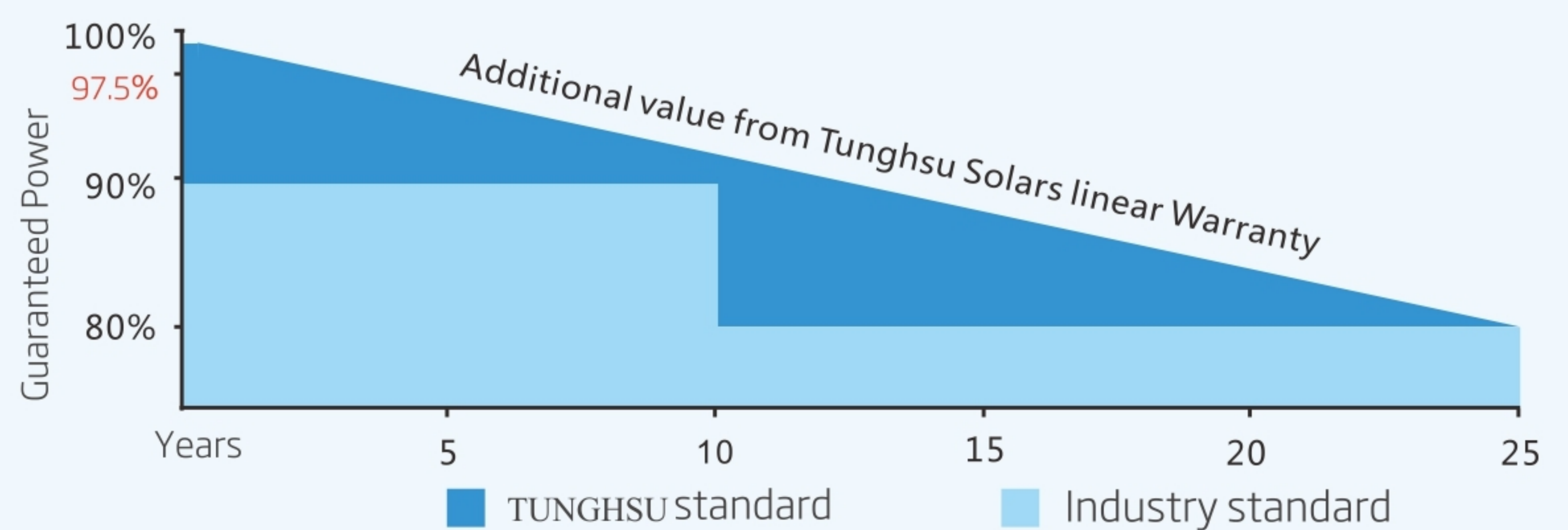
Certified to withstand the most challenging environmental conditions



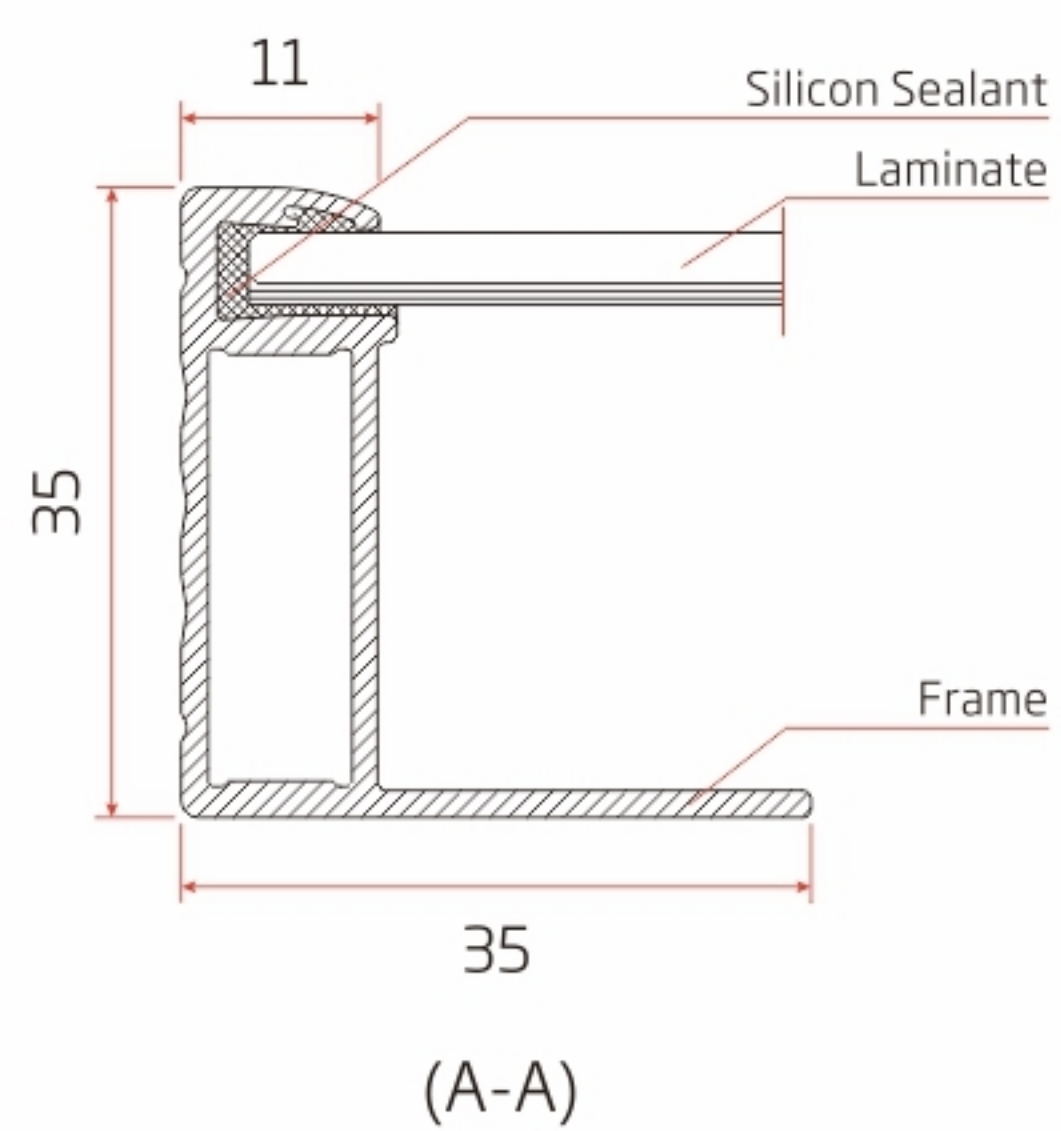
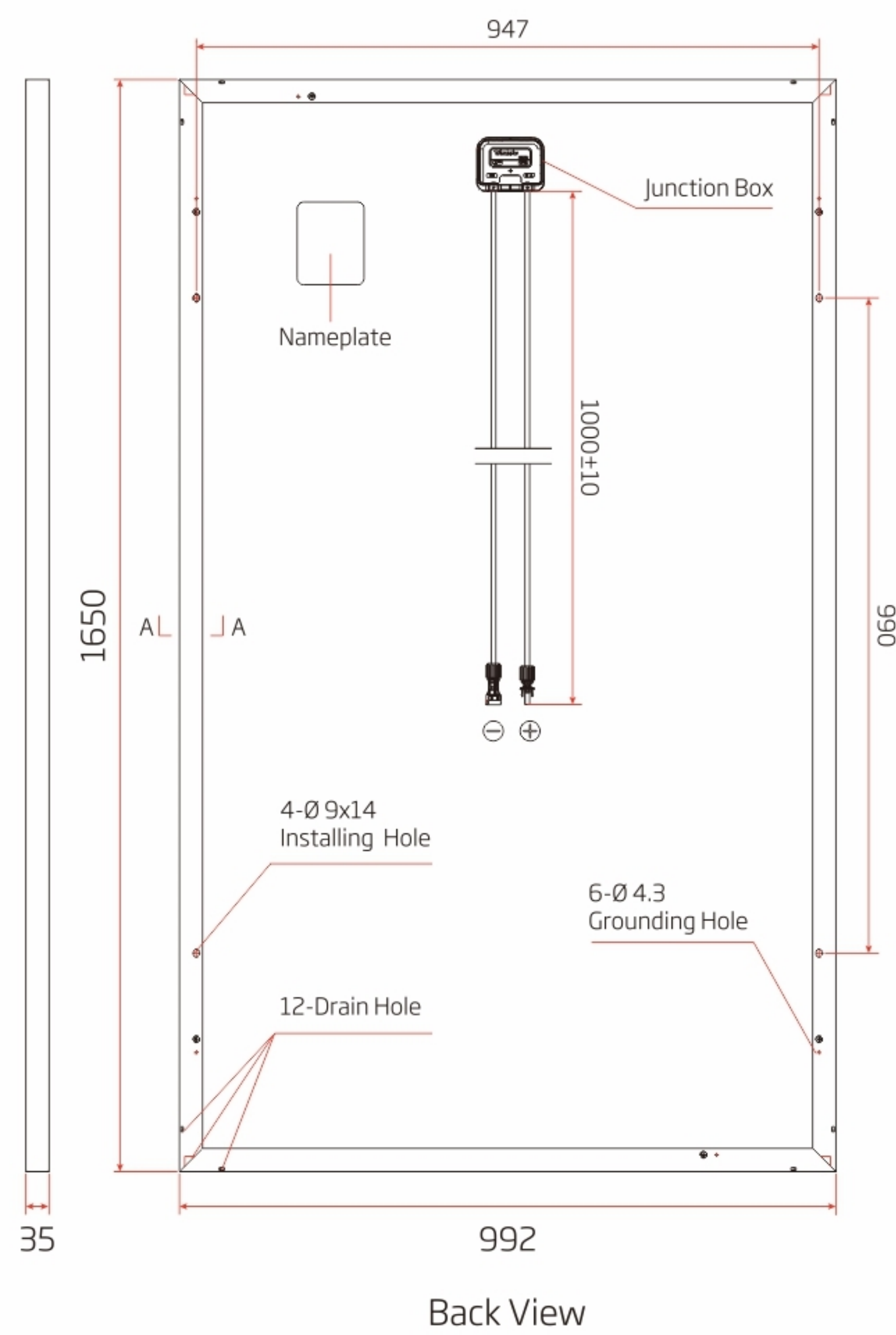
2400 Pa wind load
5400 Pa snow load

Industry-leading linear warranty

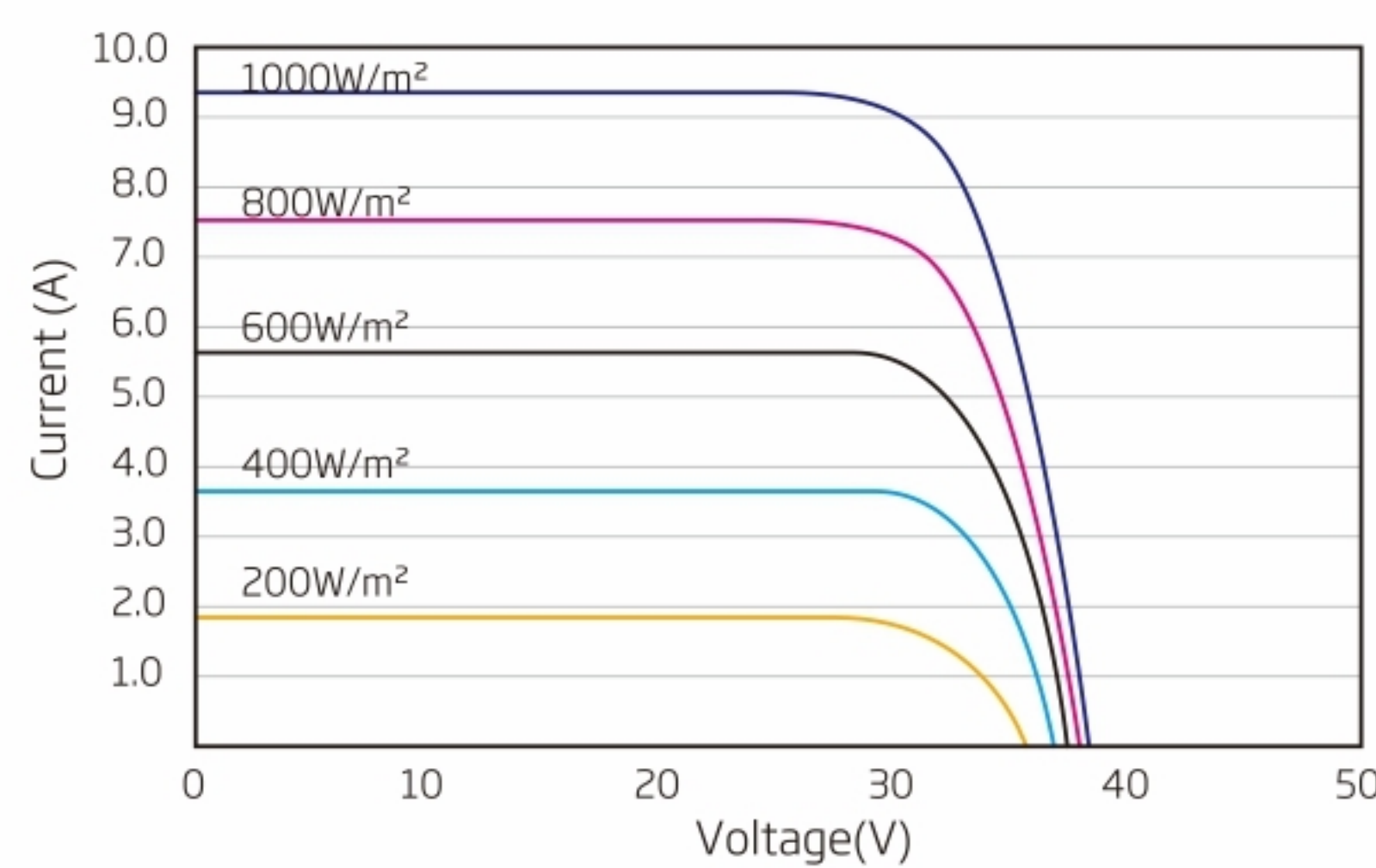
*15 Year Product Warranty *25Year Linear Power Warranty



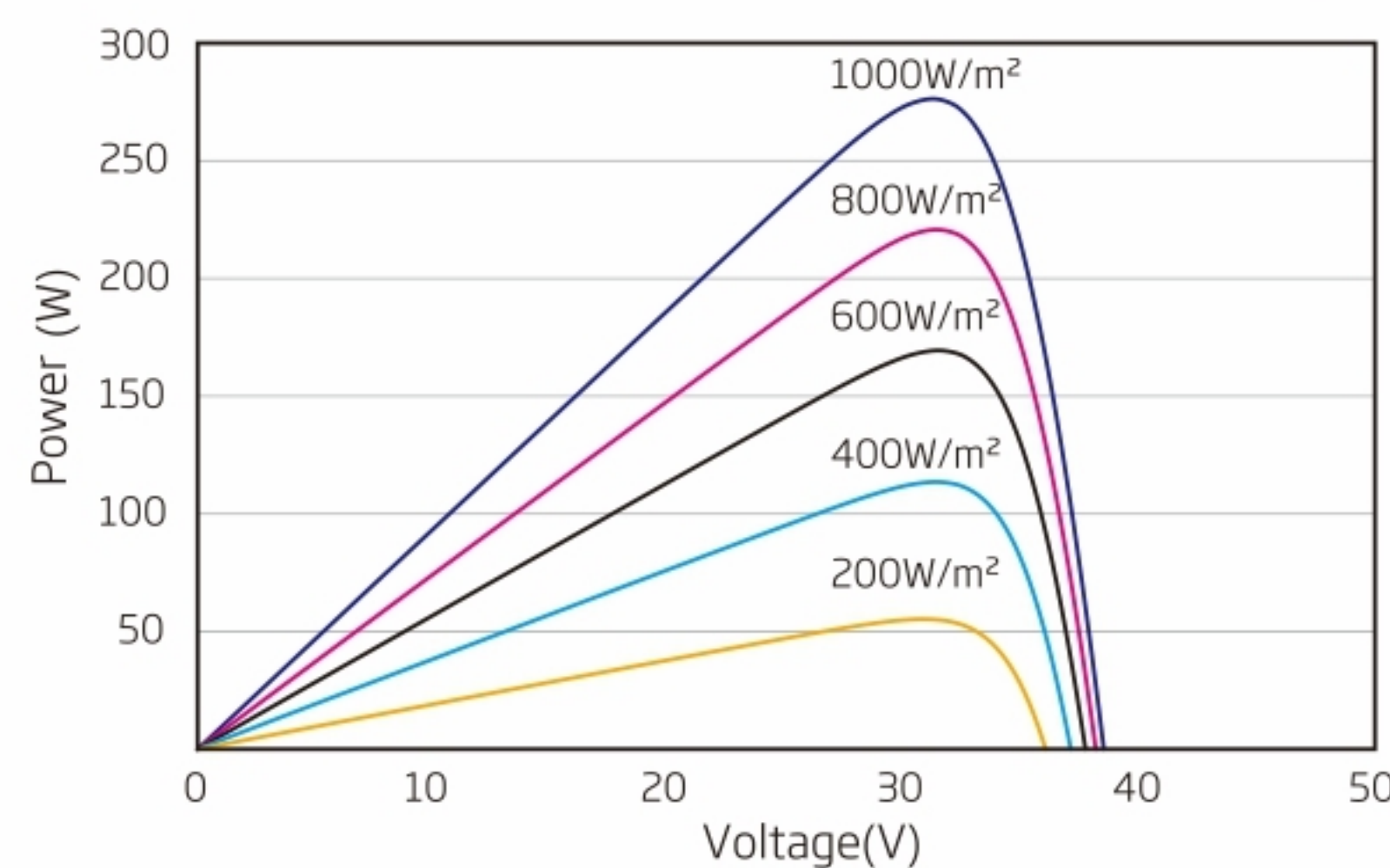
DIMENSIONS OF PV MODULE(mm)



I-V CURVES OF PV MODULE(280W)



P-V CURVES OF PV MODULE(280W)



ELECTRICAL DATA (STC)

Peak Power Watts- P_{MAX} (Wp)	270	275	280	285	290
Power Output Tolerance- P_{MAX} (W)	0 ~ +5				
Maximum Power Voltage- V_{MPP} (V)	30.9	31.1	31.4	31.6	31.9
Maximum Power Current- I_{MPP} (A)	8.73	8.84	8.92	9.02	9.09
Open Circuit Voltage- V_{OC} (V)	37.9	38.1	38.2	38.3	38.5
Short Circuit Current- I_{SC} (A)	9.22	9.32	9.40	9.49	9.65
Module Efficiency η_m (%)	16.5	16.8	17.1	17.4	17.7

STC: Irradiance 1000W/m², Cell Temperature 25°C, Air Mass AM1.5.

ELECTRICAL DATA (NOCT)

Maximum Power- P_{MAX} (Wp)	200	204	208	211	215
Maximum Power Voltage- V_{MPP} (V)	28.6	28.8	29.0	29.2	29.4
Maximum Power Current- I_{MPP} (A)	7.00	7.09	7.15	7.23	7.31
Open Circuit Voltage- V_{OC} (V)	35.1	35.3	35.4	35.5	35.7
Short Circuit Current- I_{SC} (A)	7.44	7.52	7.59	7.66	7.73

NOCT: Irradiance at 800W/m², Ambient Temperature 20°C, Wind Speed 1m/s.

MECHANICAL DATA

Solar Cells	Multicrystalline 156.75 × 156.75 mm (6 inches)
Cell Orientation	60 cells (6 × 10)
Module Dimensions	1650 × 992 × 35 mm (65.0 × 39.1 × 1.38 inches)
Weight	18.5kg(40.79lb)
Glass	3.2 mm (0.13 inches), High Transmission, AR Coated Tempered Glass
Backsheet	White (PD05, PD05.08); Black (PD05.05)
Frame	Silver Anodized Aluminium Alloy (PD05); Black Anodized Aluminium Alloy (PD05.08, PD05.05)
J-Box	IP 67 or IP 68 rated
Cables	Photovoltaic Technology Cable 4.0mm ² (0.006 inches ²), 1000 mm (39.4 inches)
Connector	MC4/UTX/TS4/QC4*

TEMPERATURE RATINGS

NOCT (Nominal Operating Cell Temperature)	44°C (±2°C)
Temperature Coefficient of P_{MAX}	-0.41%/°C
Temperature Coefficient of V_{OC}	-0.32%/°C
Temperature Coefficient of I_{SC}	0.05%/°C

MAXIMUM RATINGS

Operational Temperature	-40~+85°C
Maximum System Voltage	1000V DC (IEC) 1000V DC (UL)
Max Series Fuse Rating	15A

(DO NOT connect Fuse in Combiner Box with two or more strings in parallel connection)

WARRANTY

15 year Product Workmanship Warranty
25 year Linear Power Warranty

PACKAGING CONFIGURATION

Modules per box: 30 pieces
Modules per 40' container: 840 pieces

Note: Read the safety and installation instructions before using the product.

Affirm: With technological progress and product updates, the technical parameters of Tunghsu Kangtu's later component products may deviate from the technical parameters contained in this specification. Tunghsu Kangtu has the right to adjust various technical parameters at any time without notifying the customer. The final interpretation right of this technical specification belongs to Anhui Tunghsu Kangtu Solar Technology Co., Ltd.



Modern industrial park, Jinzhai County,
Lu'an City, Anhui Province
+86-0564-7069082
dxktxs@dongxu.com
www.dx-pv.com