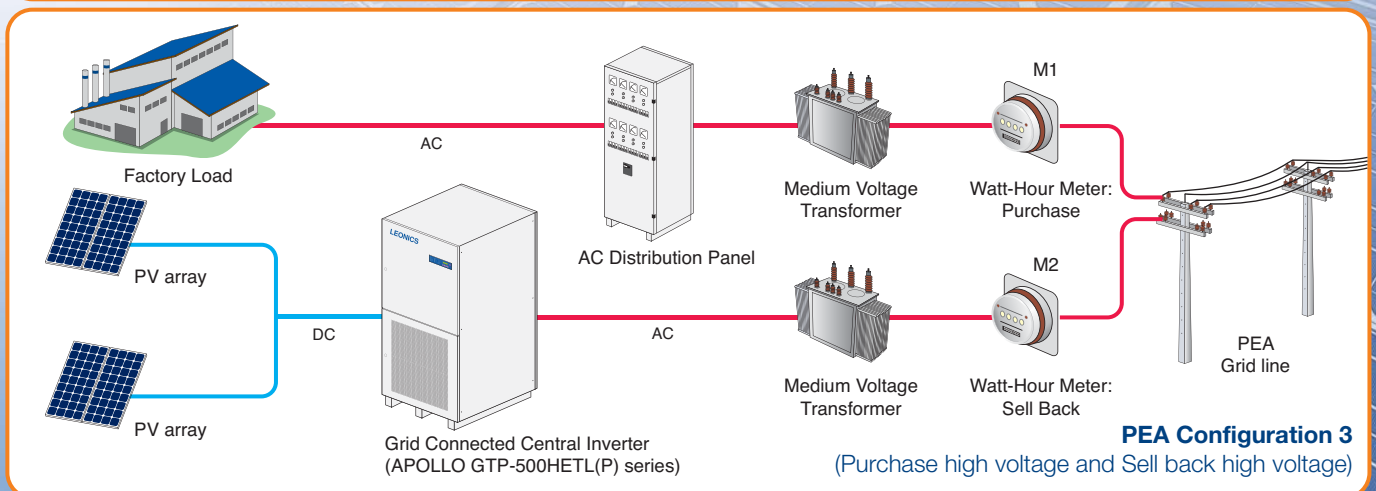
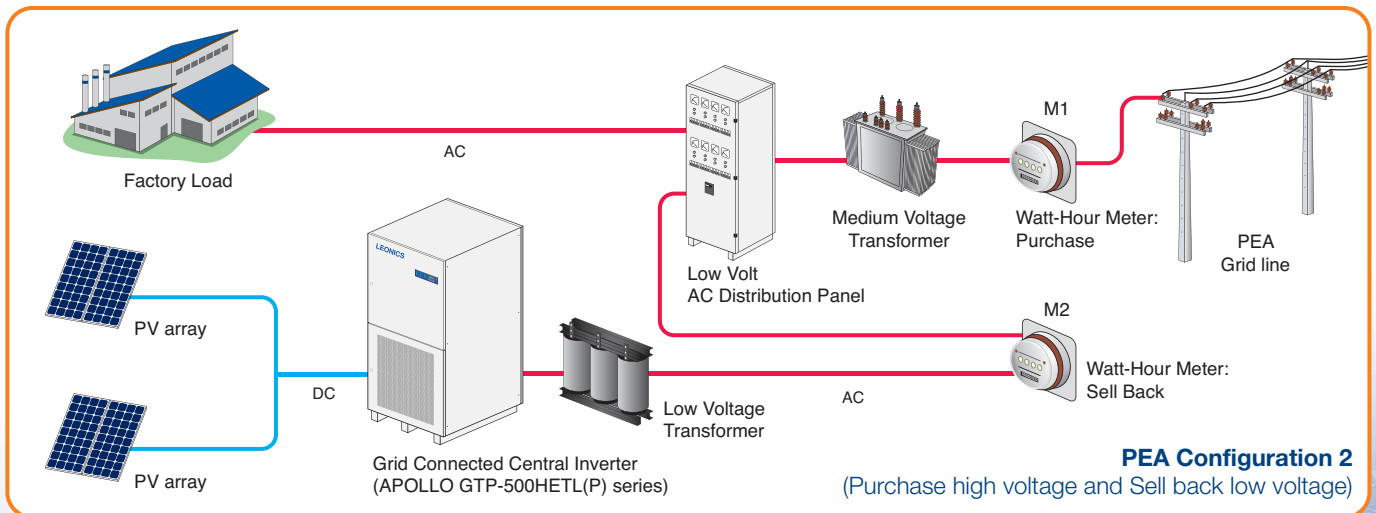


APOLLO GTP-500HETL(P)



Three Phase Grid Connected Central Inverter

- Design and tested for PEA regulation
- High inverter efficiency
- 2 control modes for reactive power support
- Low voltage fault ride through
- Low Total Harmonic Distortion (THDi)
- Integrate with PV Maximum Power Point Tracking (MPPT)
- Can do negative grounding (for thin film and reduce PID in c-Si PV module)
- Islanding protection (IEC 61727 and IEC 62116) compliance) during failure of utility grid power supply
- Automatic start and shutdown during over heating
- Superior user protection
- Over and under voltage and frequency protections
- ISO 9001 and ISO 14001 certified factory



MODEL		GTP-507HETL(P)	GTP-512HETL(P)	GTP-515HETL(P)	GTP-516HETL(P)	GTP-517HETL(P)	GTP-518HETL(P)	GTP-519HETL(P)
RATED POWER	PV input	137.5 kW	275 kW	500 kW	550 kW	650 kW	750 kW	800 kW
	AC output	125 kW / 138 kVA	250 kW / 278 kVA	450 kW / 450 kVA	500 kW / 500 kVA	600 kW / 600 kVA	680 kW / 680 kVA	725 kW / 725 kVA
SYSTEM		IGBT technology						
PV INPUT	MPPT voltage range (V _{mp} of PV string)	360 to 450 Vdc (calculate by using V _{mp})	440 to 650 Vdc (calculate by using V _{mp})	550 to 800 Vdc (calculate by using V _{mp})	550 to 800 Vdc (calculate by using V _{mp})	550 to 800 Vdc (calculate by using V _{mp})	600 to 800 Vdc (calculate by using V _{mp})	600 to 800 Vdc (calculate by using V _{mp})
	Max. open circuit voltage (V _{oc} of PV string)	550 Vdc (calculate by using V _{oc})	780 Vdc (calculate by using V _{oc})	1,000 Vdc	1,000 Vdc	1,000 Vdc	1,000 Vdc	1,000 Vdc
	Maximum PV current	382 A	625 A	785 A	1,000 A	1,180 A	1,180 A	1,260 A
AC OUTPUT TO GRID LINE	Voltage	With isolation TF	380 Vac (L-L) ±10 %	380 Vac (L-L) ±10 %	380 Vac (L-L) ±10 %	380 Vac (L-L) ±10 %	380 Vac (L-L) ±10 %	380 Vac (L-L) ±10 %
		Transformerless	210 Vac (L-L) ±10 %	300 Vac (L-L) ±10 %	400 Vac (L-L) ±10 %	380 Vac (L-L) ±10 %	380 Vac (L-L) ±10 %	400 Vac (L-L) ±10 %
	Phase	Three phase (for 3 coils)						
	Frequency	50 / 60 Hz -6%, +4%						
	Power factor control	0.9 leading - 0.9 lagging						
	Total harmonic distortion	THDi < 3% (at full load)						
	Power limiting	0 - 100%						
	Maximum AC current (with isolation transformer)	209 A	422 A	685 A	760 A	915 A	1,040 A	1,096 A
	Maximum AC current (transformerless)	220 A	309 A	375 A	440 A	530 A	570 A	605 A
	INVERTER PEAK EFFICIENCY	With isolation transformer	> 95%	97%	97%	97%	97.6%	97.6%
Transformerless		> 96.3% (CEC > 96%, EURO > 95.5%)	98% (CEC > 97%, EURO > 96.988%)	98.5% (CEC > 98.3%, EURO > 97.8%)	98.5% (CEC > 98.3%, EURO > 97.8%)	98.6% (CEC > 98.4%, EURO > 98.1%)	98.6% (CEC > 98.4%, EURO > 98.1%)	98.6% (CEC > 98.4%, EURO > 98.1%)
PROTECTION	Input / Output	Over / under voltage (AC&DC), frequency (AC)						
	Islanding operation	Active and passive anti-islanding						
	Over heat	Automatic shutdown and restart						
	Surge dissipation	20 kA Category C1 for AC (separate supply)						
USING WITH TF INDICATOR	Transformer vector group	Diii (Transformerless only)						
AUDIBLE ALARM	LED	Mains, Operating, Synchronize, PV, Over temp., Alarm						
	LCD display	Input (voltage, current, power, frequency), Generated power, Generated energy, Accumulated energy, PV (voltage, current, power, energy, accumulated energy), status						
POWER CONSUMPTION		Mains failure, inverter fault						
COOLING		less than 40 Watt in standby mode,						
		< 0.5 Watt in sleep mode						
ENVIRONMENT	Temperature	Force fan cooling						
	Relative humidity	0 - 45°C						
DESIGN REGULATION	Standard	0 - 95 % (non - condensing)						
	PEA Regulation 2013	IEC 61727, IEC 62116, AS 3100, AS 4777						
	Enclosure	Over / Under voltage, Over / Under frequency, Islanding protection, Response to utility recovery, Dynamic network support, Voltage and frequency, Flicker, DC injection, Reactive power control, Active power control, Harmonic and wave form distortion						
DIMENSION (W x H x D) (cm)	Top-entry	90 x 205 x 105	120 x 205 x 105	120 x 205 x 105	120 x 205 x 105	120 x 205 x 105	120 x 205 x 105	120 x 205 x 105
	Bottom-entry	90 x 188 x 105	120 x 205 x 105	120 x 205 x 105	120 x 205 x 105	120 x 205 x 105	120 x 205 x 105	120 x 205 x 105
WEIGHT (approx. in kg)	Top-entry	1,000 (With TF), 800 (Transformerless)	1,540 (With TF), 975 (Transformerless)	- 1,280 (Transformerless)	- 1,300 (Transformerless)	- 1,340 (Transformerless)	- 1,340 (Transformerless)	- 1,340 (Transformerless)
	Bottom-entry	865 (With TF), 665 (Transformerless)	1,540 (With TF), 1,240 (Transformerless)	- 1,280 (Transformerless)	- 1,300 (Transformerless)	- 1,340 (Transformerless)	- 1,340 (Transformerless)	- 1,340 (Transformerless)

Continuous product development is our commitment. In that manner, the above specifications may be changed without prior notice.

Authorized Distributor

LEO ELECTRONICS CO.,LTD.

27, 29 Soi Bangna-Trad Rd 34, Bangna Tai, Bangna, Bangkok 10260 THAILAND Tel. 0-2746-9500 Fax. 0-2746-8712 e-mail : RNE@leonics.com

www.leonics.com

Authorized Dealer