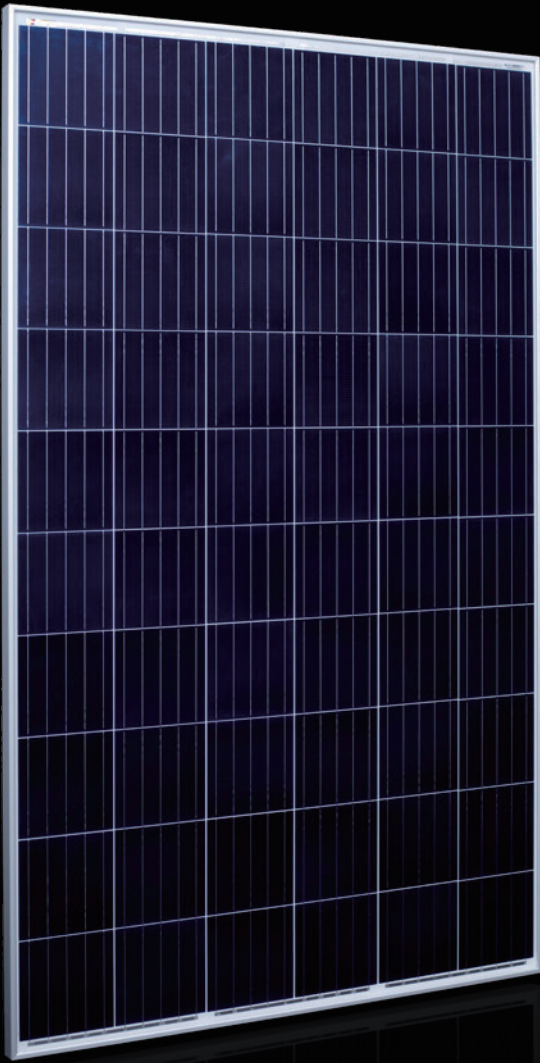




# AESOLAR

since 2003



## POWER PLUS

**25**  
years

Performance  
Guarantee

**12**  
years

Product  
Guarantee

### 270W-290W

### AE P6-60 Series

POLY-CRYSTALLINE PV MODULES  
FULL CELLS • MONO-FACIAL

[www.ae-solar.com](http://www.ae-solar.com)

**60**

FULL  
CELLS

**156**  
mm

CELL  
SIZE



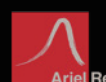
LID  
RESISTANT



HIGHLY STABLE  
AND TOUGH



IEC 61215  
IEC 61730  
Regular Production Surveillance  
Type Tested and Monitored



LLOYD'S  
Underwriters



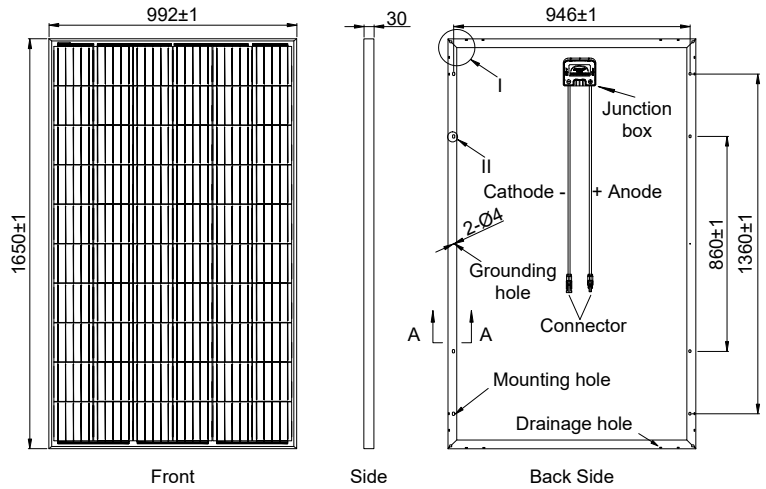
# AE P6-60 Series 270W-290W



POLY-CRYSTALLINE PV MODULES  
FULL CELLS • MONO-FACIAL

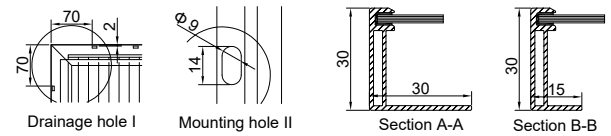
## Mechanical and design specification

Cell type	Poly-Si PERC, Full cells, 156.75 mm
No. of cells	60
Glass	3,2 mm, high transmission, AR coated, tempered
Encapsulation	EVA
Back cover	White Backsheet
Junction box	IP68 rated, 3 Bypass Diodes
Frame	30 mm anodized Aluminium alloy
Cable	1 x 4 mm <sup>2</sup> , 900 mm length or customized
Connectors	MC 4 / MC 4 compatible
Dimension	1650 mm x 992 mm x 30 mm
Weight	17kg
Hail resistance	Max. Ø 25 mm at 23 m/s
Wind load	2400 Pa/ 244 kg/ m <sup>2</sup>
Mechanical load	5400 Pa/ 550 kg/ m <sup>2</sup>



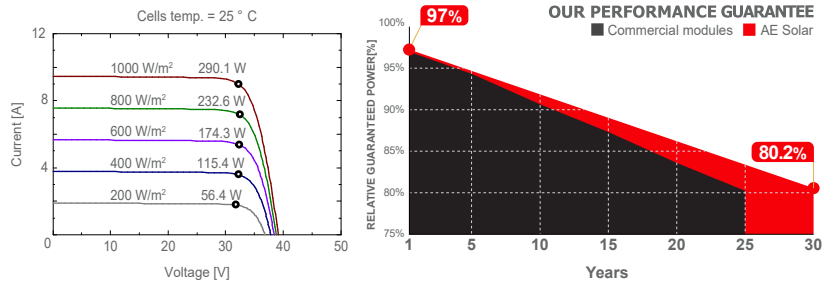
## Packaging information

Packaging configuration	76 pcs / double pallets
Loading capacity	1064 pcs / 40 HQ
Size / Pallet	1685 mm x 1140 mm x 2390 mm
Weight	1352 kg / double pallets



## Temperature ratings

Operating temperature	(°C)	-40 to +85
Temp.coefficient of P <sub>max</sub>	(%/°C)	-0.40
Temp.coefficient of V <sub>oc</sub>	(%/°C)	-0.31
Temp.coefficient of I <sub>sc</sub>	(%/°C)	0.053
Nom. operating temp. NOCT	(°C)	45 ± 2



Electrical specifications (STC*):		AE270P6-60	AE275P6-60	AE280P6-60	AE285P6-60	AE290P6-60
Nominal Max. Power	P <sub>max</sub> (Wp)	270	275	280	285	290
Maximum operating voltage	V <sub>MPP</sub> (V)	30.82	31.24	31.65	32.07	32.48
Maximum operating current	I <sub>MPP</sub> (A)	8.76	8.80	8.85	8.89	8.93
Open-circuit voltage	V <sub>oc</sub> (V)	38.31	38.52	38.72	38.93	39.14
Short-circuit current	I <sub>sc</sub> (A)	9.31	9.35	9.38	9.44	9.47
Module efficiency	η (%)	16.50	16.80	17.11	17.41	17.72
Power tolerance	(W)			0~+5		
Maximum system Voltage	(V)			1500		
Maximum series fuse rating	(A)			15		

\*STC: Standard test conditions (Irradiance 1000 W/m<sup>2</sup>, Cell temperature 25°C and air mass of AM1.5)

Electrical specifications (NMOT*):		AE270P6-60	AE275P6-60	AE280P6-60	AE285P6-60	AE290P6-60
Nominal Max. Power	P <sub>max</sub> (Wp)	205	209	212	216	220
Maximum operating voltage	V <sub>MPP</sub> (V)	29.29	29.68	30.07	30.47	30.86
Maximum operating current	I <sub>MPP</sub> (A)	7.00	7.04	7.08	7.11	7.14
Open-circuit voltage	V <sub>oc</sub> (V)	36.39	36.59	36.79	36.98	37.18
Short-circuit current	I <sub>sc</sub> (A)	7.46	7.48	7.50	7.55	7.58

\*NMOT: Normal Module Operating Temperature (Irradiance 800 W/m<sup>2</sup>, Ambient temperature 20°C, air mass of AM1.5 and wind speed of 1 m/s)

The specifications and characteristics contained in this datasheet may deviate slightly from our actual products due to the product developments and uncertainty of measurement devices. The specifications included in the datasheet are subject to change without prior notice.

