

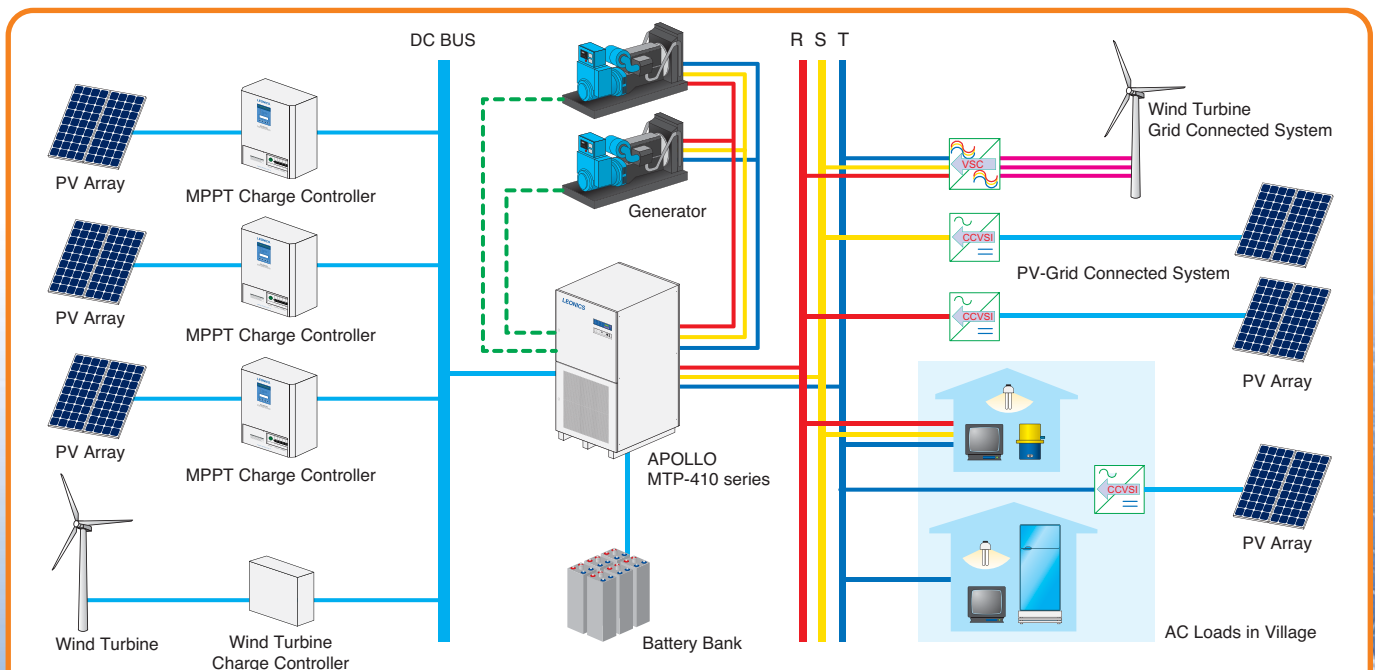
## APOLLO MTP-410

### Three Phase Bidirectional Dual Mode Hybrid Inverter for Mini-grid System



Outdoor Enclosure (option)

- Three phase bidirectional inverter with built-in output transformer
- Low harmonic distortion (less than 3%)
- High efficiency > 95%
- High reliability design for remote area
- Separate DC Bus for multiple source charging
- Capable to use with multiple renewable energy sources in both DC coupling and AC coupling such as solar (PV) panel, wind turbine generator and micro hydro generator
- Monitor energy available from the renewable energy (DC) sources and minimize the charging current from the diesel generator
- Automatic / Manual generator control
- Frequency shift energy management control
- Automatic battery equalization (option)
- Battery temperature compensation (Temperature sensor is not included)
- Preset time schedule by System Command Unit (SCU) for automatic controlling the auxiliary power sources such as generators in mini-grid system (option)
- IP65 protection outdoor enclosure (option)
- Parallel operation (option)
- ISO 9001 and ISO 14001 certified factory



APOLLO MTP-410 series is a Three phase bidirectional dual mode hybrid inverter capable of functioning as a main supply power source as well as providing automatic control and management of a generator and battery bank. The inverter features very high efficiency in both charger and inverter modes with maximum efficiency of 95%. It is suitable for hybrid power system with supplement diesel generator in off-grid areas.

## APOLLO MTP-410 series Three Phase Bidirectional Dual Mode Hybrid Inverter for Mini-Grid System

MODEL	MTP-411E	MTP-412E	MTP-413E	MTP-411F	MTP-412F	MTP-413F	MTP-414F	MTP-415F	MTP-416F	MTP-417F	MTP-418F	MTP-419F	MTP-4110F	MTP-4111H	MTP-4113H	MTP-4115H	MTP-4117H	
RATED POWER	10 kW	15 kW	25 kW	10 kW	15 kW	25 kW	30 kW	45 kW	60 kW	75 kW	90 kW	100 kW	120 kW	150 kW	200 kW	250 kW	300 kW	
BATTERY	Nominal Voltage	120 Vdc			240 Vdc									480 Vdc				
	Max. charging current	56 A	84 A	130 A	28 A	42 A	72 A	84 A	125 A	168 A	200 A	250 A	280 A	335 A	200 A	280 A	350 A	418 A
	Max. battery current	114 A	170 A	284 A	57 A	85 A	142 A	170 A	255 A	340 A	425 A	510 A	570 A	680 A	425 A	570 A	710 A	850 A
EXTERNAL DC CHARGER	Nominal voltage	120 Vdc			240 Vdc									480 Vdc				
	Maximum current	100 A	100 A	200 A	57 A	60 A	100 A	100 A	200 A	300 A	300 A	400 A	400 A	400 A	300 A	400 A	400 A	500 A
AC INPUT FROM GENERATOR	Recommended generator power	> 20 kW	> 30 kW	> 50 kW	> 20 kW	> 30 kW	> 50 kW	> 60 kW	> 90 kW	> 120 kW	> 150 kW	> 180 kW	> 200 kW	> 240 kW	> 300 kW	> 400 kW	> 500 kW	> 600 kW
	Voltage	380 / 400 / 415 Vac (L-L), 220 / 230 / 240 Vac (L-N) ± 10%																
	Phase	Three phase																
	Frequency	50 / 60 Hz ± 3 Hz																
	Max. AC current	32 A	48 A	80 A	32 A	48 A	80 A	96 A	144 A	191 A	240 A	287 A	319 A	382 A	478 A	637 A	796 A	955 A
	Automatic start / stop	Relay dry contact 10 A (2 sets of ACC contact for 2 generators)																
AC OUTPUT	Voltage	380 / 400 / 415 Vac (L-L), 220 / 230 / 240 Vac (L-N)																
	Voltage regulation	± 3% (steady load), < 7% at 100% step load within 0.1 sec.																
	Phase	Three phase																
	Frequency	50 / 60 Hz ± 0.1% (auto sensing)																
	Wave form	Pure sine wave																
	THD	total < 3%																
	Max. surge current	200%																
	Max. AC current	15.2 A	22.7 A	37.8 A	15.2 A	22.7 A	37.8 A	45.4 A	68.2 A	90.9 A	113.6 A	136.3 A	151.5 A	181.8 A	227.3 A	303 A	378.8 A	454.5 A
ISOLATION	Galvanic isolation	yes																
EFFICIENCY	Inverter peak efficiency	> 94%					> 95%											
PROTECTION		Over current, Over load, Short circuit, Over temperature, Over voltage, Under voltage																
INDICATOR	LED	External Charging, Bypass, Generator Running, Generator Failure, Stand by/Run, Inverter, Charging, Load on Inverter, Overload, Low Battery, High temperature, Fault																
	LCD display	Inverter (voltage, current, frequency, power, reactive power), Generator (voltage, current, frequency, power, reactive power), Battery (voltage, current, state of charge(%), charging current), Heat sink temperature, Battery temperature (option), Equalization date, Today DC Inverter Energy (Input, output) Today AC Inverter Energy (input, output), Accumulated DC energy (input, output), Accumulated AC Energy (input, output), System status, Time, Date, Data Log																
AUDIABLE ALARM		Low battery, Inverter fault, High temperature																
COOLING		Automatic cooling fan																
ENVIRONMENT	Temperature	0 - 45°C																
	Relative humidity	0 - 95 % (Non - condensing)																
DESIGN	Standard	AS/NZ 3100:2002, IEC 61683 (for efficiency test)																
REGULATION	Enclosure	IP31 (IP65 option)	IP54 (IP65 option)	IP31 (IP65 option)	IP54 (IP65 option)	IP31												
	Control Unit	60 x 188 x 105				60 x 188 x 105 / 80 x 80 x 65				90 x 212 x 100				150 x 212 x 82				110 x 205 x 105
W x H x D (cm)	Transformer Unit	- / 80 x 103 x 65																
WEIGHT (approx. in kg)	Control Unit	430	440	450	430	440	450 / 141	460 / 141	63 / 141	815	860	1,015	1,045	1,215	1,375	1,495	775	775
	Transformer Unit	-	-	-	-	-	- / 303	- / 310	- / 370	-	-	-	-	-	-	-	1,300	1,500

Continuous product development is our commitment. In that manner, the above specifications may be changed without prior notice. **Note:** \* As specified in the order.

Authorized Distributor

LEO ELECTRONICS CO.,LTD.

27, 29 Soi Bangna-Trad Rd 34, Bangna, Bangkok 10260 THAILAND Tel. 0-2746-9500, 0-27468708 Fax. 0-2746-8712 e-mail : RNE@leonics.com

▪ www.leonics.com ▪

Authorized Dealer