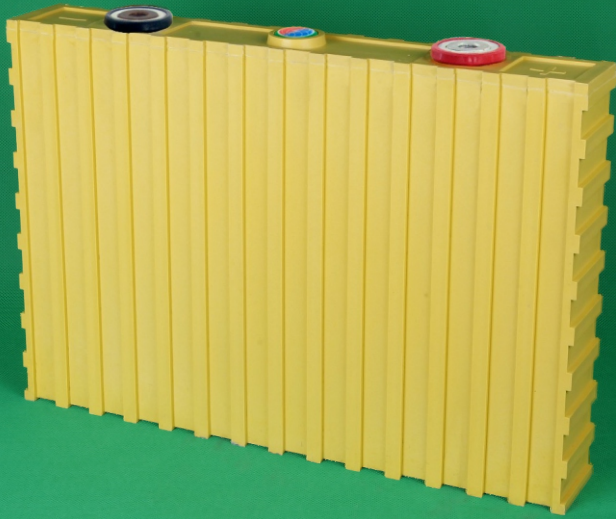




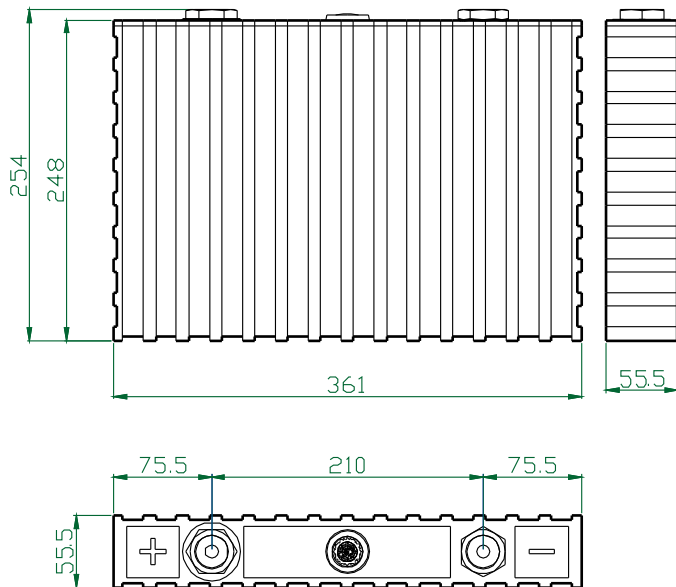
雷天温斯顿储能类“水性锂钪动力电池”性能说明

THUNDER SKY WINSTON ENERGY STORAGE TYPE "WATER-BASED LITHIUM YTTRIUM POWER BATTERY" PERFORMANCE SPECIFICATION

单体电池尺寸 DIMENSIONS



型号 (MODEL): TSWB-LYP200AHA-B



技术参数 SPECIFICATIONS

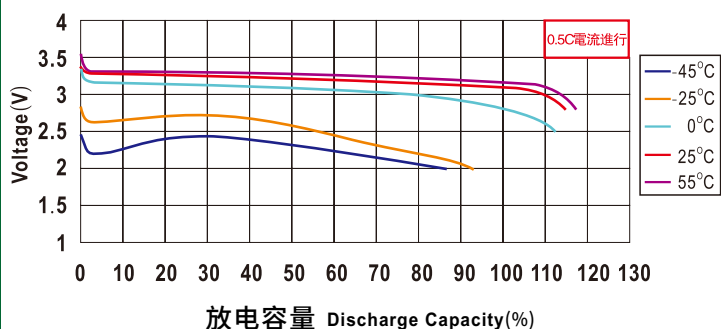
型号 (MODEL)	TSWB-LYP200AHA-B	
标称容量 Nominal Capacity	200AH	
规格 Specification	长 L	361mm
	宽 W	55.5mm
	高 H	254mm
工作电压 Operation Voltage	充电 Charge	3.8(V)
	放电 Discharge	2.8(V)
内阻 Internal Resistance	≤0.35(mΩ)	
最大放电电流 Max Discharge Current	恒电流 Constant Current	≤3CA
	脉冲试 Impulse Current	≤10CA
标准充放电电流 Standard Charge/ Discharge Current	100A(0.5CA)	
循环寿命 Cycle Life	(80%DOD)	≥5000Times
	(70%DOD)	≥7000Times
壳体耐温性 Temperature Durability Of Case	≤200°C	
适应环境 Operating Temperature	充电 Charge	-45°C~85°C
	放电 Discharge	
	存储湿度 Storage Humidity	≤75%RH
自放电率 (月) Self-discharge Rate	≤1% (月/Monthly)	
单体电池重量 Weight	7.9kg±200g	

TSWB-LYP200AHA-B型电池的充放电特性

TSWB-LYP200AHA-B CHARGE&DISCHARGE CHART

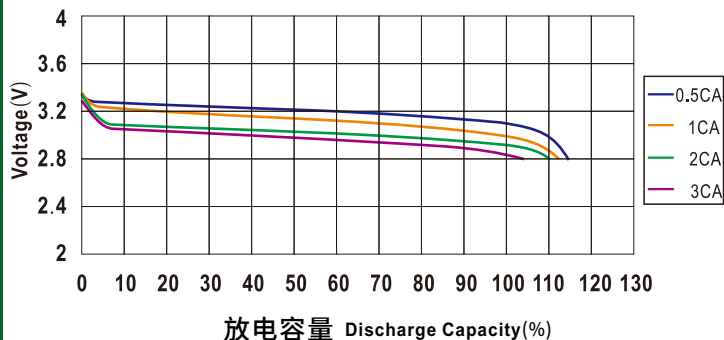
不同环境温度下LYP类电池的放电特性曲线

Discharge characteristic curve of LYP type battery under different ambient temperature



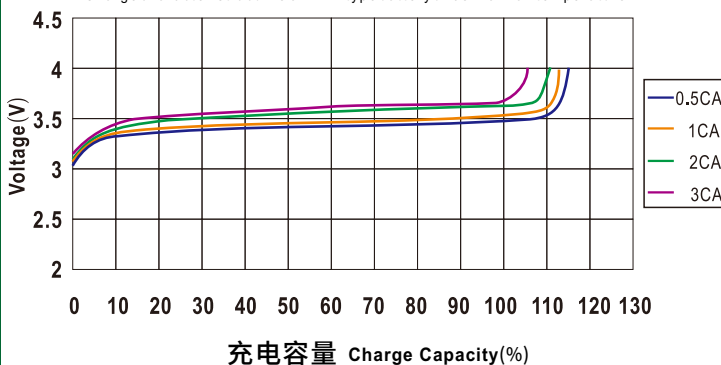
常温下LYP类电池的放电特性曲线

Discharge characteristic curve of LYP type battery under normal temperature



常温下LYP类电池的充电特性曲线

Charge characteristic curve of LYP type battery under normal temperature



在常温下LYP类电池的存储特性曲线

Storage characteristic curve of LYP type battery under normal temperature

