

9BB

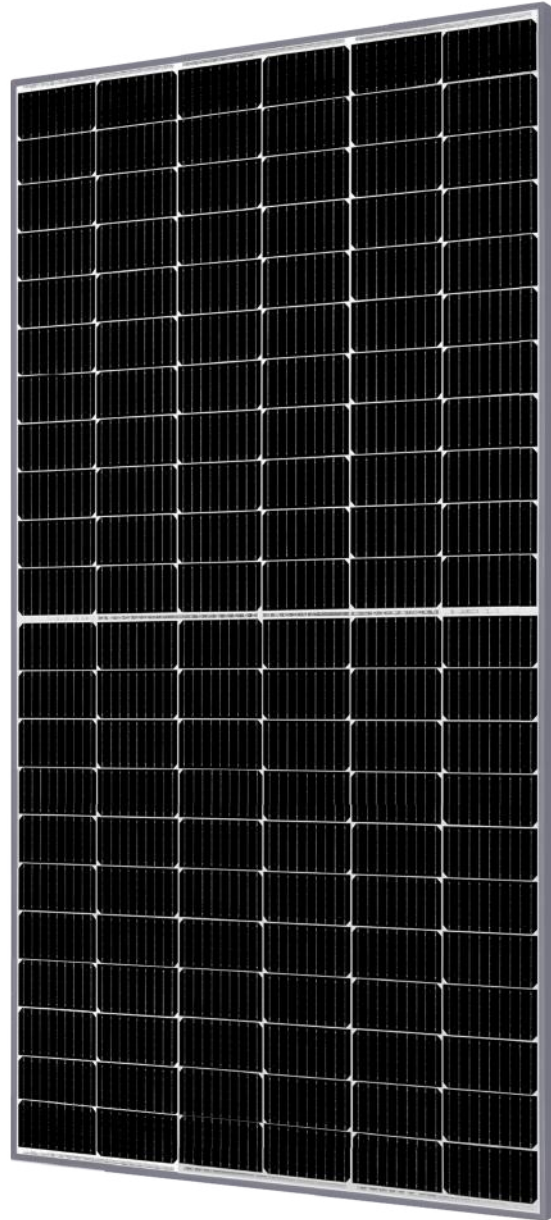


100% TEST

Double EL tests ensures high quality standard



Reduced hot spot risk with optimized electrical design and lower operating current



Monocrystalline PERC
Half cut cells



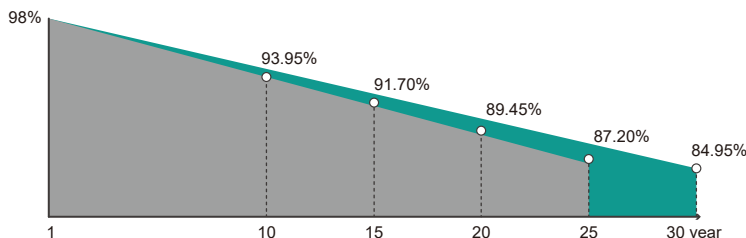
Positive Power tolerance
0~+5W extra output power



Anti-PID
Low LID Performance

490~510W

182mm 132Cells Solar Module



Quality Guarantee

12-Year
material & technology warranty

30-Year
linear power output warranty

- SUNWE solar linear power output guarantee
- Standard linear power output guarantee

SW490~510M10

182mm 132Cells Solar Module



Electrical Characteristics (STC/NOCT)

Module Type	SW490M10		SW495M10		SW500M10		SW505M10		SW510M10	
	STC	NOCT	STC	NOCT	STC	NOCT	STC	NOCT	STC	NOCT
Maximum Power- Pmax(W)	490W	360W	495W	364W	500W	368W	505W	372W	510W	375W
Open Circuit Voltage - Voc(V)	44.90V	41.90V	45.10V	42.10V	45.30V	42.30V	45.50V	42.50V	45.70V	42.70V
Short- Circuit Current - Isc(A)	13.73A	11.07A	13.78A	11.12A	13.83A	11.17A	13.89A	11.22A	13.94A	11.27A
Voltage at Pmax -Vmp(V)	37.40V	34.80V	37.60V	35.00V	37.80V	35.20V	38.00V	35.40V	38.20V	35.60V
Current at Pmax - Imp(A)	13.10A	10.35A	13.16A	10.40A	13.22A	10.45A	13.28A	10.51A	13.34A	10.53A
Module Efficiency -ηm(%)	20.64%		20.85%		21.06%		21.27%		21.48%	
Power Tolerance(W)	(0, +5W)									
Maximum System Voltage(V)	1500Vdc (IEC / UL)									
Maximum Series Fuse Rating (A)	25A									

STC : Irradiance 1000W/m², Cell Temperature 25 C, Air Mass 1.5

NOCT : Irradiance 800W/m², Ambient Temperature 20 C, Air Mass 1.5, Wind Speed 1m/s

Mechanical Specifications

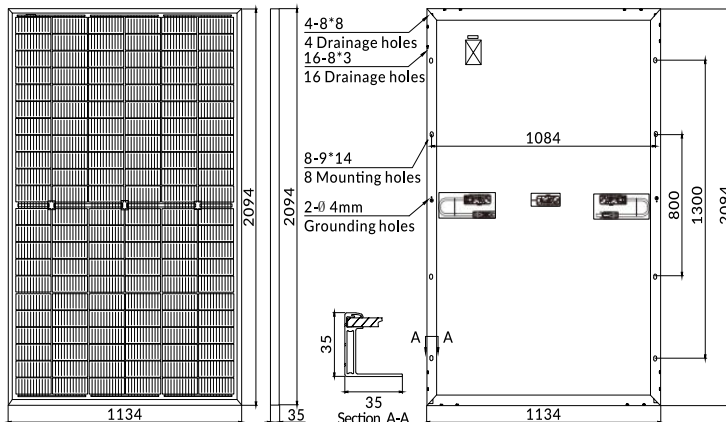
External Dimensions	2094 x 1134 x 35mm
Weight	25.5kg
Solar Cells	Mono crystalline 182mm (6x26pcs)
Front Glass	AR Coated 3.2 mm tempered glass
Frame	Anodized aluminum alloy
Junction Box	IP68 with 3 bypass diodes
Output Cables	4.0mm ² , 30cm (+), 40cm (-), length can be customized
Connector	MC4 Compatible
Mechanical Load	Front Side Max. 5400Pa, Rear Side Max. 2400Pa

Packing Configuration

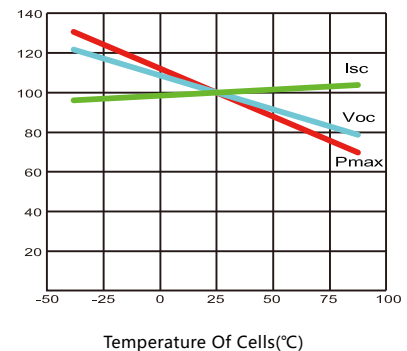
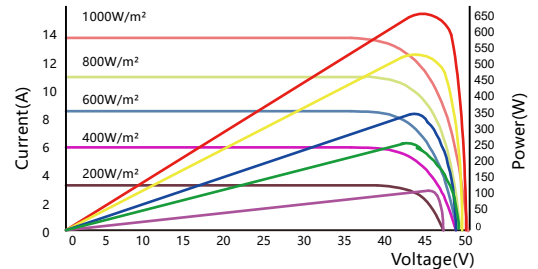
Container	20'GP	40'HQ
Pieces per Pallet	31	31
Pallets per Container	5	22
Pieces per Container	155	682

Temperature Characteristics

Pmax Temperature Coefficient	-0.360%/ C
Voc Temperature Coefficient	-0.28%/ C
Isc Temperature Coefficient	+0.05%/ C
Operating Temperature	-40 ~ +85 C
Nominal Operating Cell Temperature(NOCT)	45±2 C



IV Curves (SW500M10)



Sunwe Power Co.,Ltd.

Email: info@sunwepower.com

Add: 88, Huishan Road, Wuxi City, China 214000

www.sunwepower.com

