

YS80-90SM/Monocrystalline Single Glass 21 Series

80W/85W/95W

10
Years

Product warranty

25
Years

Linear power
output
Warranty



High output efficiency

PID Free ensuring high efficiency output of the system.



Superior weak light effect

Excellent module efficiency in the weak light conditions.



Excellent loading capacity

Passed mechanical load testing 5400Pa



Strong adaptability

Passed TUV salt mist and ammonia resistance testing.



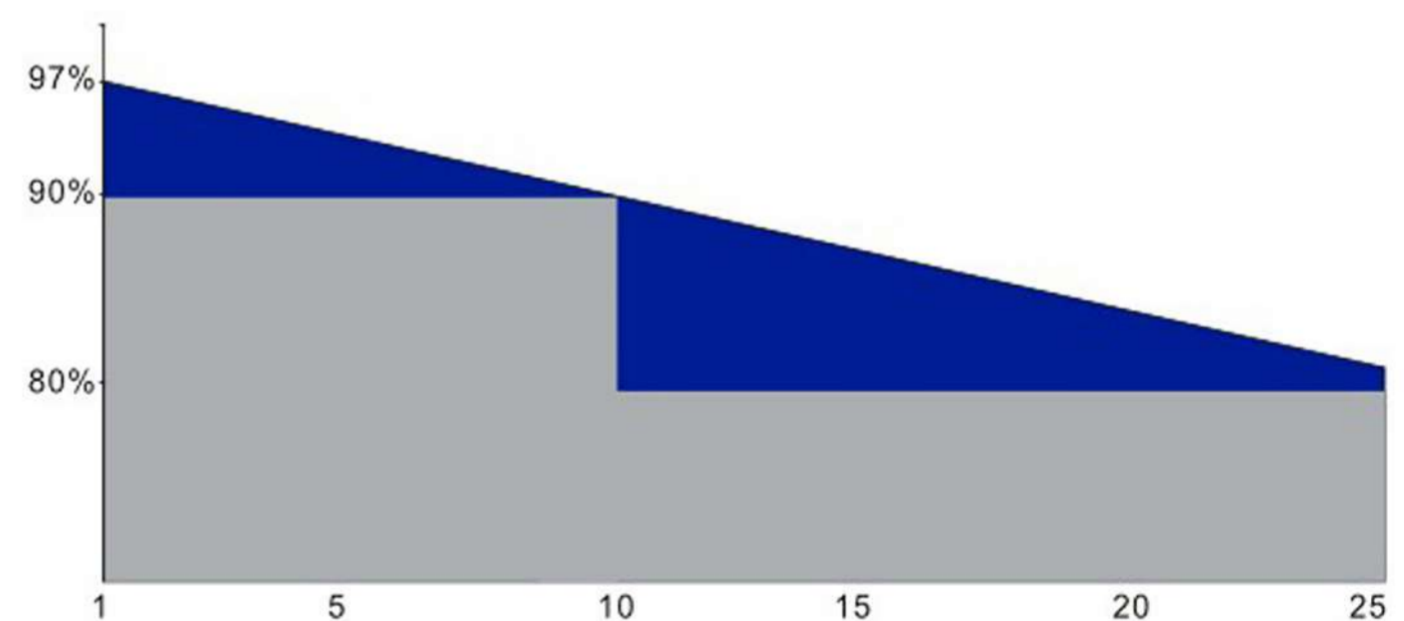
Easy Installation

Suitable for a variety of applications



Durability

High quality raw materials and fine workmanship



GREEN ENERGY PRODUCTS



Tel: +86 753 2880123

Email: market@gdyssolar.com

Web: www.gdyssolar.com

Guangdong Yaosheng Solar Technology Co., Ltd.

SPECIFICATION

Module	YS80SM-21	YS85SM-21	YS90SM-21
Maximum Power(Pmax W)	80	85	90
Open-circuit Voltage(Voc V)	14.90	15.13	15.30
Maximum Power Voltage(Vmp V)	12.86	12.89	12.92
Short-circuit Current(ISC A)	6.71	7.04	7.35
Maximum Power Current(Imp A)	6.22	6.59	6.97
Module Efficiency STC(%)	21.25%	21.51%	21.75%
Power Tolerance		0 to +5W	
Temperature coefficients of Isc (A-Isc)		+0.048%/°C	
Temperature coefficients of Voc (B-Voc)		-0.265%/°C	
Temperature coefficients of Pmax (C-Pmp)		-0.36%/°C	
Standard Testing Condition (STC)	Irradiance 1000W/m ² , Cell Temperature 25°C±2, AM1.5G		

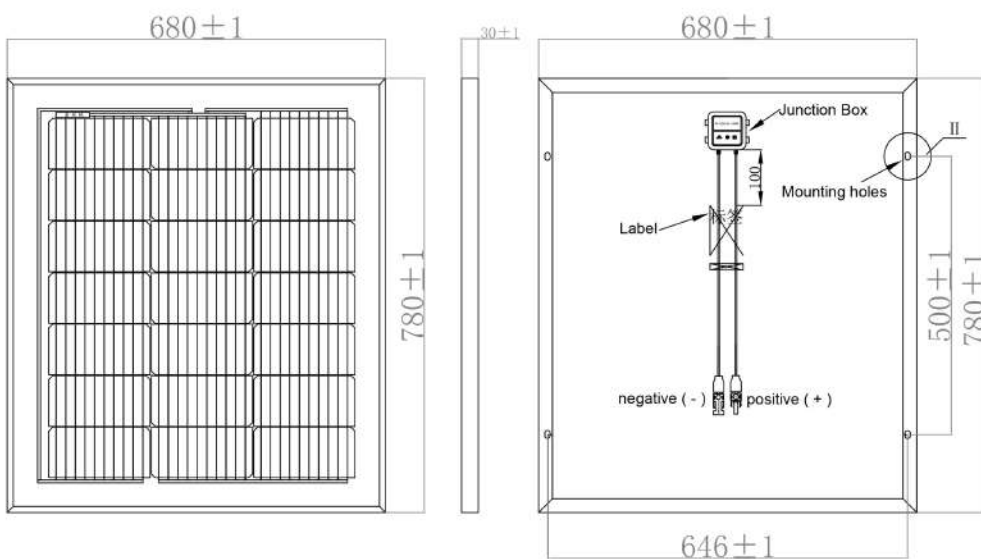
SPECIFICATION

Module Type	Monocrystalline
Dimension	780x680x30 (mm)
Weight	5.8 (kg)
No. of Cells	21(pcs)
Packing	56 pcs

APPLICATION

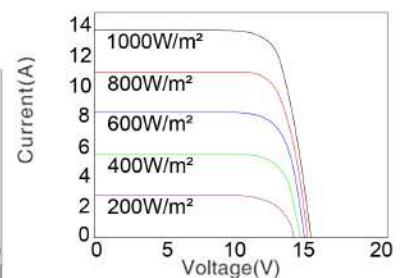
Maximum System Voltage	DC 1500V
Operating Temperature	-40°C~+85°C
Maximum Series Fuse Rating	25A
Nominal Operating Cell Temperature (NOCT)	45 ± 2°C
Application Class	Class A

Engineering Drawing



Linear Characteristic

Current-Voltage Curve



Power-Voltage Curve

