



# Thunder Sky Winston

公司地址：福建省漳州市长泰经济开发区兴泰工业园区  
 (长泰) TEL: 0596-8186789 Fax: 0596-8186678  
 (深圳) TEL: 0755-86026789 Fax: 0755-8602 6678  
 技术服务部 :Service Email:service@winston-battery.com  
 http://www.thundersky-winston.com  
 Email: winston@winston-battery.com

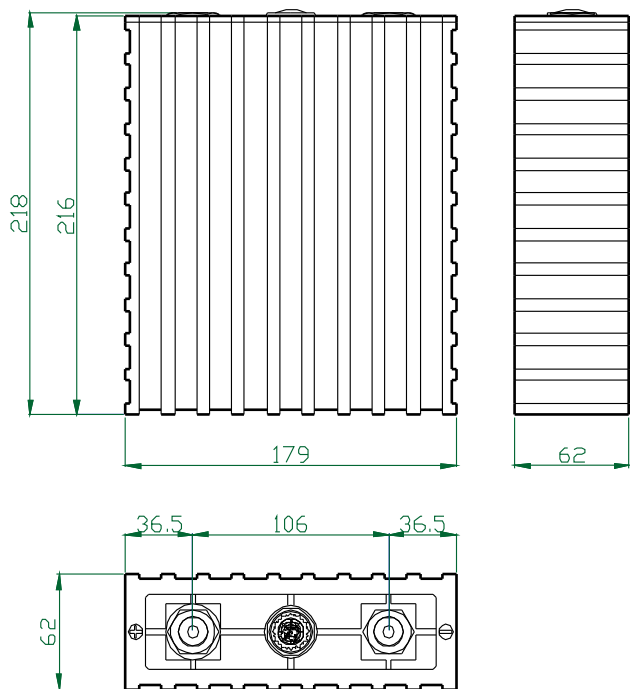
## 雷天温斯顿储能类“水性锂钪动力电池”性能说明

THUNDER SKY WINSTON ENERGY STORAGE TYPE "WATER-BASED LITHIUM YTTRIUM POWER BATTERY" PERFORMANCE SPECIFICATION

### 单体电池尺寸 DIMENSIONS



型号 (MODEL) : TSWB-LYP100AHA-B



### 技术参数 SPECIFICATIONS

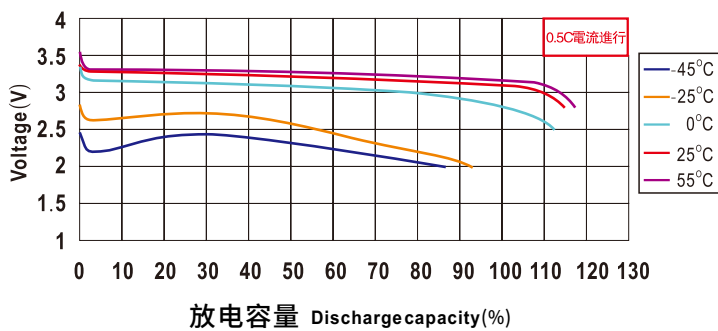
型号 (MODEL)	TSWB-LYP100AHA-B	
标称容量 Nominal Capacity	100AH	
规格 SPEC	长 L	179mm
	宽 W	62mm
	高 H	218mm
工作电压 Operation Voltage	充电 Charge	3.8(V)
	放电 Discharge	2.8(V)
内阻 Internal resistance	≤0.45(mΩ)	
最大放电电流 Max Discharge Current	恒电流 Constant Current	≤3CA
	脉冲试 Impulse Current	≤10CA
标准充放电电流 Standard Charge/ Discharge Current	50A(0.5CA)	
循环寿命 Cycle Life	(80%DOD)	≥5000Times
	(70%DOD)	≥7000Times
壳体耐温性 Temperature Durability Of Case	≤200°C	
适应环境 Operating Temperature	充电 Charge	-45°C~85°C
	放电 Discharge	
	存储湿度 Storage Humidity	≤75%RH
自放电率 (月) Self-discharge Rate	≤1% (月/Monthly)	
单体电池重量 Weight	3.6kg±100g	

# TSWB-LYP100AHA-B型电池的充放电特性

## TSWB-LYP100AHA-B CHARGE&DISCHARGE CHART

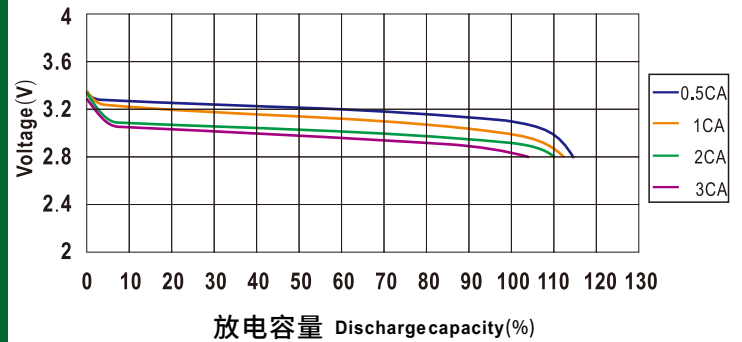
### 不同环境温度下LYP类电池的放电特性曲线

Discharge characteristic curve of LYP type battery under different ambient temperature



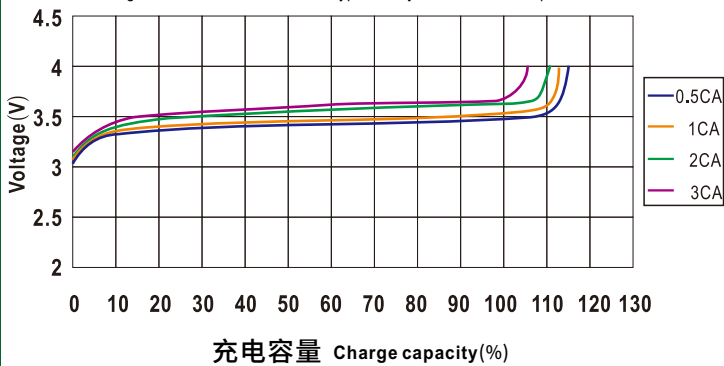
### 常温下LYP类电池的放电特性曲线

Discharge characteristic curve of LYP type battery under normal temperature



### 常温下LYP类电池的充电特性曲线

Charge characteristic curve of LYP type battery under normal temperature



### 在常温下LYP类电池的存储特性曲线

Storage characteristic curve of LYP type battery under normal temperature

