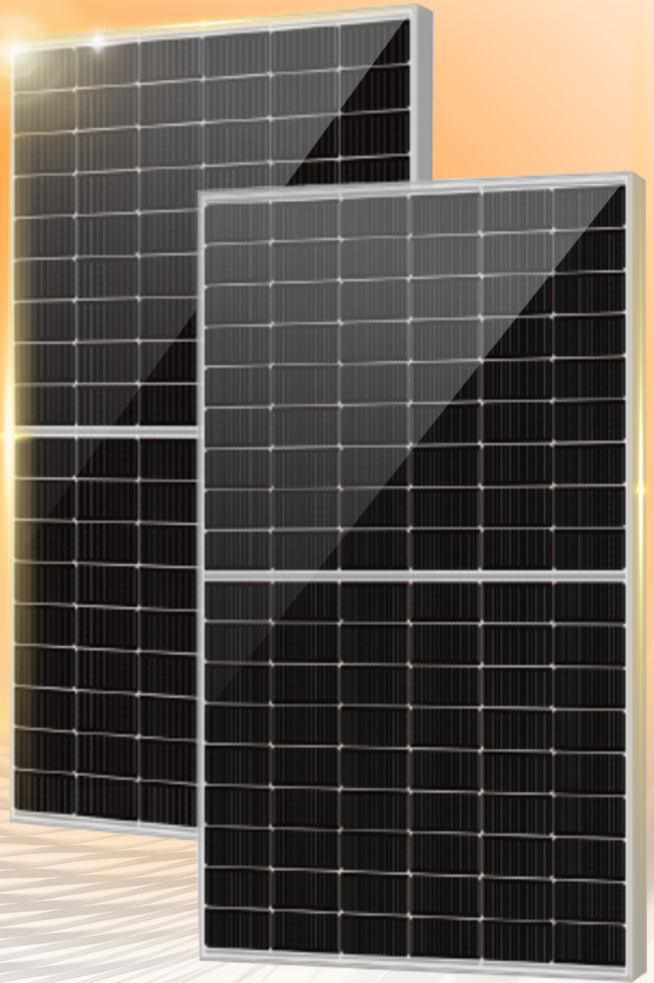


# Topsola

TO BE WITH SUNSHINE

## PHOENIX M10/108D

### 420~440W



12 years  
Product Warranty



30 years  
Linear Power Warranty



First year power  
degradation ≤1%



Higher Efficiency



Higher Reliability



PID Resistance



Topcon Half-cut  
Cell Technology



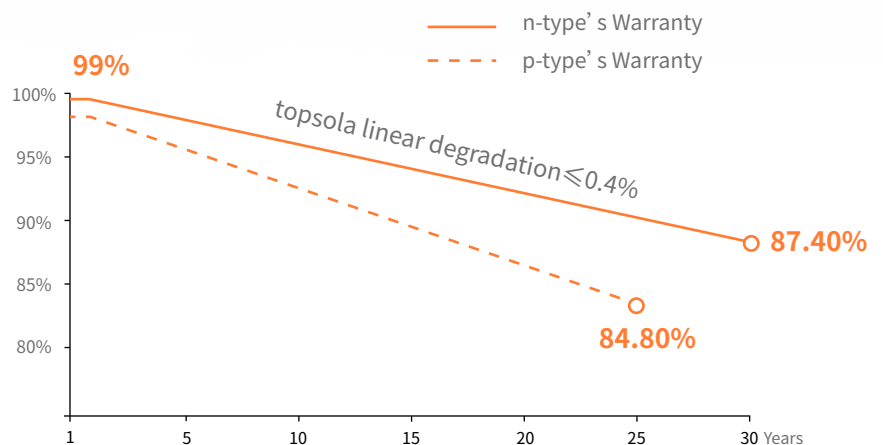
Bifacial Power



Low BOS cost & LCOE



## PRODUCT WARRANTY



\*please refer to Topsola details

**STC: (Irradiance 1000W/m<sup>2</sup>, Cell Temperature 25°C, AM=1.5)**

Module Type	TY420N-108HM-DG	TY425N-108HM-DG	TY430N-108HM-DG	TY435N-108HM-DG	TY440N-108HM-DG
Maximum Power (Pmax) [W]	420	425	430	435	440
Maximum Power Voltage (Vmp) [V]	31.73	31.91	32.09	32.28	32.45
Maximum Power Current (Imp) [A]	13.24	13.32	13.40	13.48	13.56
Open Circuit Voltage (Voc) [V]	38.27	38.47	38.67	38.87	39.07
Short Circuit Current (Isc) [A]	13.95	14.03	14.11	14.19	14.27
Module Efficiency [%]	21.51	21.76	22.02	22.27	22.53
Power Tolerance	0~+5W				

**TEMPERATURE RATINGS (STC)**

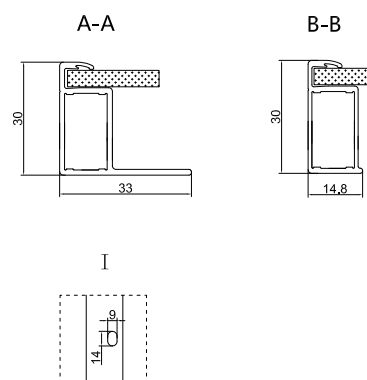
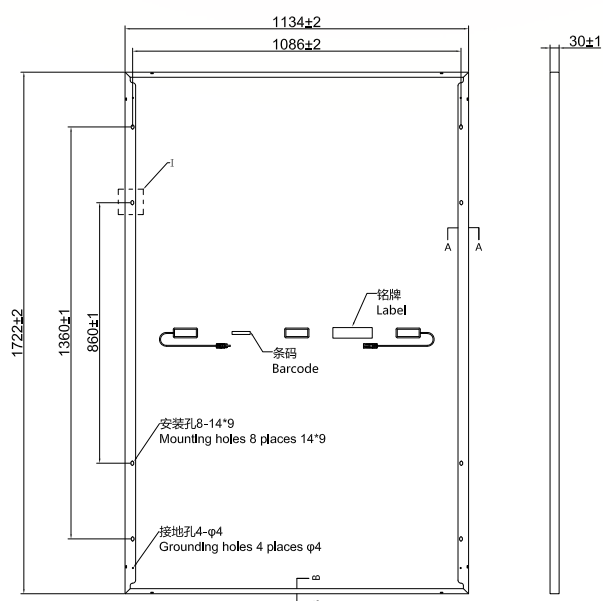
Temperature Coefficient (Pmax)	- 0.29 %/°C
Temperature Coefficient (Voc)	- 0.25 %/°C
Temperature Coefficient (Isc)	+0.044 %/ °C
NOCT, Nominal Operating Cell Temperature	45± 2 °C

**OPERATING PARAMETERS**

Max. system voltage	1500VDC (IEC)
Maximum series fuse rating	30A
No. of diodes	3
Junction box IP rating	IP68
Operating Temperature	-40~+85°C

**MECHANICAL CHARACTERISTICS**

Dimensions(mm)	1722x1134x30
Cell type	N-type mono-crystalline
No. of cells	108 (6*18)
Frame technology	Aluminum, black or silver anodized
Front/Back glass thickness(mm)	2.0+2.0
Cable Length (Including connector) (mm)	300
Cable diameter	4mm <sup>2</sup>
Connector type	MC4 Compatible
Maximum mechanical test load	5400 Pa (front)/2400 Pa (back)
Module weight (Kg)	25.5
Packing style	Carton box
Pieces Per Pallet	36 pcs/pallet
Pallets Per Container	26 pallet/container
Pieces Per Container	936pcs/40'HQ

**ENGINEERING DRAWINGS**

**CURVE**
