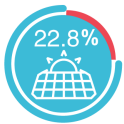


BYDxxxMGK-36

xxx=425-460W

Mono-facial Half Cell Module

Key Product Features



Higher Output Power

Module power up to 460W
Average cell efficiency up to 22.8%



Reliability for output performance

Positive power tolerance 0-5W,
reliable output performance
Excellent optical performance



Lower LCOE

(Levelized Cost Of Energy)
Significantly decrease BOS costs and
operation and maintenance costs



Superior adaptability

3600 Pa for positive(downward) and
1600 Pa for negative (upward)
Safety factors Ym:1.5
Corresponding to maximum snow and ice
load 5400Pa,maximum wind load 2400Pa

Comprehensive product certification

- IEC 61215-1:2016
- IEC 61215-1-1:2016
- IEC 61215-2:2016
- IEC 61730-1:2016
- IEC 61730-2:2016
- UL 61730-1 1st Edition
- UL 61730-2 1st Edition



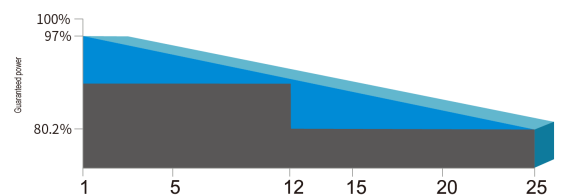
Industry-leading Quality Assurance

12 year
Product warranty

25 year
Linear power warranty

-0.70%
Annual degradation

■ Linear power warranty
■ Industry Standard



• Please refer to the warranty letter for details



Solar Power

BYD COMPANY LIMITED

NO.1, Yan'an Road, Kuichong, Dapeng New District
518119 Shenzhen, Guangdong
PEOPLE'S REPUBLIC OF CHINA

TEL:

+86-755-89888888
bydpv@byd.com



Electrical Data(STC*)

Module Type: BYDxxxMGK-36	BYD425MGK-36	BYD430MGK-36	BYD435MGK-36	BYD440MGK-36	BYD445MGK-36	BYD450MGK-36	BYD455MGK-36	BYD460MGK-36
Rate Maximum Power(Pmax)(W)	425±5%	430±5%	435±5%	440±5%	445±5%	450±5%	455±5%	460±5%
Open Circuit Voltage(Voc) (V)	48.49	48.71	48.93	49.15	49.37	49.59	49.81	50.03
Short Circuit Current(Isc) (A)	11.24	11.32	11.40	11.48	11.56	11.64	11.72	11.80
Maximum Power Voltage(Vmp)(V)	40.53	40.74	40.95	41.16	41.37	41.58	41.79	42.00
Maximum Power Current (Imp) (A)	10.49	10.56	10.63	10.70	10.77	10.84	10.90	10.97
Module Efficiency (%)	19.55	19.78	20.01	20.24	20.47	20.70	20.93	21.16

* Standard Test Conditions (STC) : irradiance of 1000 W/m², spectrum AM 1.5 and cell temperature of 25°C.

Electrical Data(NMOT*)

Module Type: BYDxxxMGK-36	BYD425MGK-36	BYD430MGK-36	BYD435MGK-36	BYD440MGK-36	BYD445MGK-36	BYD450MGK-36	BYD455MGK-36	BYD460MGK-36
Rate Maximum Power(Pmax)(W)	314.4±5%	318.2±5%	322.0±5%	325.9±5%	329.7±5%	333.6±5%	337.2±5%	340.8±5%
Open Circuit Voltage(Voc) (V)	45.2	45.5	45.7	45.9	46.1	46.3	46.5	46.7
Short Circuit Current(Isc) (A)	9.07	9.13	9.20	9.26	9.33	9.39	9.46	9.52
Maximum Power Voltage(Vmp)(V)	37.2	37.4	37.5	37.7	37.9	38.1	38.2	38.4
Maximum Power Current (Imp) (A)	8.45	8.51	8.58	8.64	8.70	8.76	8.82	8.88

* Nominal Module Operating Temperature (NMOT): irradiance of 800 W/m², spectrum AM 1.5, ambient temperature 20°C, wind speed 1 m/s.

Operational Parameter

Operating Temperature	-40°C~+85°C
NMOT (Nominal Module Operating Temperature)	45°C±2°C
Maximum System Voltage(V)	1500 (VDC)
Maximun Fuse Current Rating(A)	20A
Fire Safety	Class C
Power Binning Tolerance	±5W

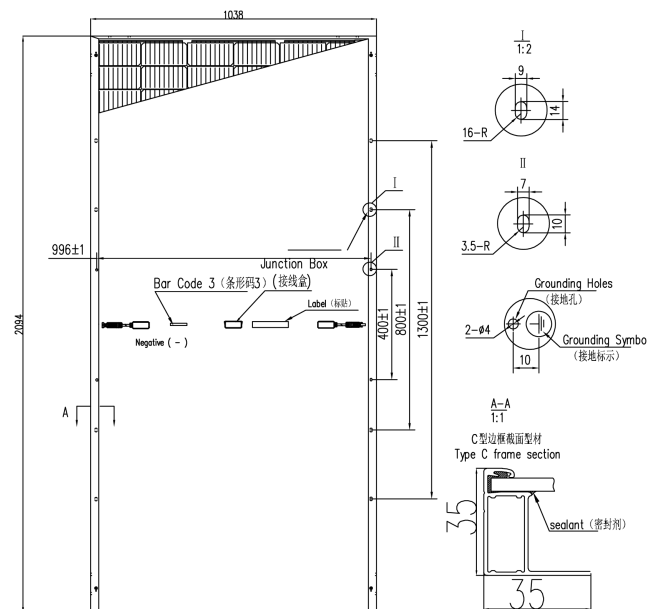
Mechanical Properties

Cell Type	166mm*83mm
Number of Cells	144
Dimension of Module	2094*1038*35mm
Weight	24.1Kg ± 5%
Front Glass	3.2mm tempered glass with AR Coating
Frame	Anodized aluminum alloy
Junction Box	IP68(3 Diodes)
Cable Length	+320mm , -260mm(4.0mm ²)
Connector	PV-TS02 JiangsuTiansheng, PV-ZH202B Zhejiang Zhonghuan, BYD-L01 GuangdongBYD
Packing Information	682(31*22)pcs per 40'HQ

Temperature Coefficient

Peak Power Temperature Coefficient	-0.344%/°C
Open-Circuit Voltage Temperature Coefficient	-0.267%/°C
Short-Circuit Current Temperature Coefficient	0.043%/°C

Drawing



I-V curve

