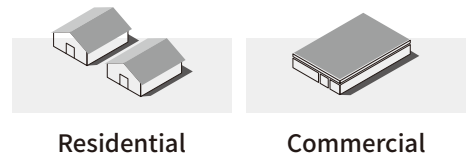


YTM415-435N-54/M

Adopting N-type TOPCon technology on M10 wafer, achieves high efficiency and ultra-low degradation, and perfectly matches mainstream system design and mature logistics scheme.

Advanced module technologies are adopted like multi-busbar, half cell, non-destructive cutting, and intelligent soldering.



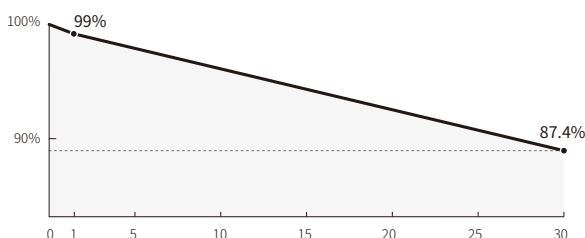
Residential

Commercial



Warranty

Product warranty 12 Years 1st year degradation $\leq 1\%$
Linear power warranty 30 Years Annual degradation $\leq 0.40\%$

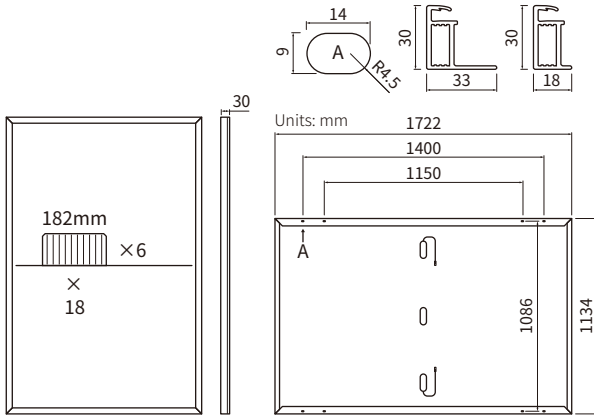


Certificates

IEC 61215, IEC 61730
ISO 9001:2015 Quality management systems
ISO 14001:2015 Environmental management systems
ISO 45001:2018 Occupational health and safety management systems



YTM415-435N-54/M



Mechanical Parameters

| | |
|--------------|--|
| Cell type | Mono TOPCon |
| No. of cells | 108 (6*18) |
| Junction box | IP68, 3 diodes |
| Cable | 4mm ² ; (±)1200mm or customized |
| Glass | Single glass, 3.2mm |
| Frame | Anodized aluminum alloy frame |
| Weight | 21.4kg±3% |
| Dimensions | 1722mm x 1134mm x 30mm |
| Packaging | 36 pcs/pallet, 936 pcs/40HQ container |

Electrical Parameters

STC: AM1.5 1000W/m² 25°C NMOT: AM1.5 800W/m² 20°C 1m/s

| Module type | YTM415N-54/M | | YTM420N-54/M | | YTM425N-54/M | | YTM430N-54/M | | YTM435N-54/M | |
|---|--------------|-------|--------------|-------|--------------|-------|--------------|-------|--------------|-------|
| | STC | NMOT | STC | NMOT | STC | NMOT | STC | NMOT | STC | NMOT |
| Rated maximum power P _{max} (W) | 415 | 312 | 420 | 316 | 425 | 320 | 430 | 324 | 435 | 328 |
| Open circuit voltage V _{oc} (V) | 38.00 | 36.04 | 38.19 | 36.22 | 38.38 | 36.40 | 38.57 | 36.58 | 38.75 | 36.78 |
| Short circuit current I _{sc} (A) | 13.96 | 11.30 | 14.04 | 11.38 | 14.12 | 11.44 | 14.20 | 11.51 | 14.27 | 11.58 |
| Maximum power voltage V _{mp} (V) | 31.37 | 29.19 | 31.56 | 29.35 | 31.74 | 29.53 | 31.93 | 29.67 | 32.13 | 29.84 |
| Maximum power current I _{mp} (A) | 13.23 | 10.69 | 13.31 | 10.77 | 13.39 | 10.84 | 13.47 | 10.92 | 13.54 | 10.99 |
| Module efficiency (%) | 21.3 | | 21.5 | | 21.8 | | 22.0 | | 22.3 | |

Temperature Coefficients

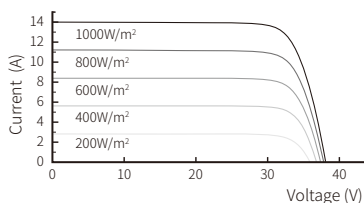
| | |
|---|------------|
| Temperature coefficient α _{Isc} | +0.046%/°C |
| Temperature coefficient β _{Voc} | -0.250%/°C |
| Temperature coefficient γ _{Pmax} | -0.300%/°C |

Operating Conditions

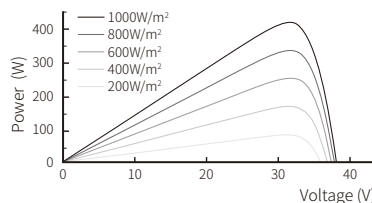
| | | | |
|--|-------------|-------------------------------------|---------|
| Operating temperature | -40°C~+70°C | Nominal operating cell temperature | 45±2°C |
| P _{max} , V _{oc} , I _{sc} tolerance | ±3% | Front side Max. static test loading | 5400 Pa |
| Power selection | 0~5W | Rear side Max. static test loading | 2400 Pa |
| Maximum system voltage | 1500V DC | | |
| Maximum series fuse rating | 25A | | |

Graphs (YTM420N-54/M)

Current - Voltage Curve



Power - Voltage Curve



Current - Voltage Curve

