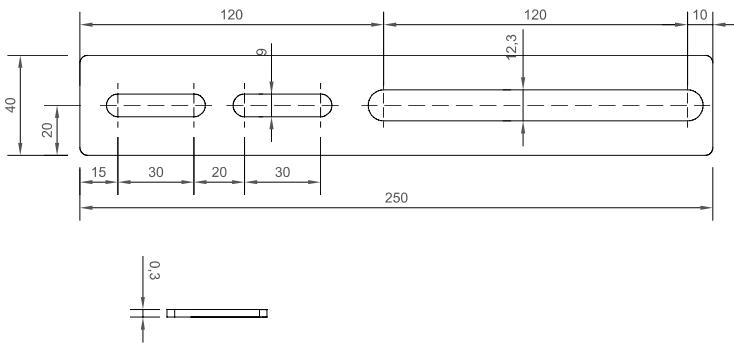
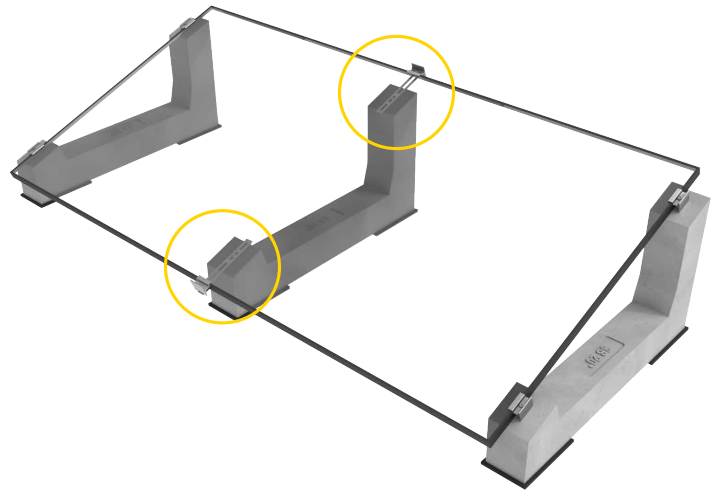


## KIT NO-FLEX STANDARD

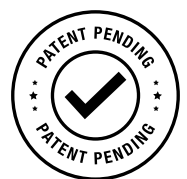
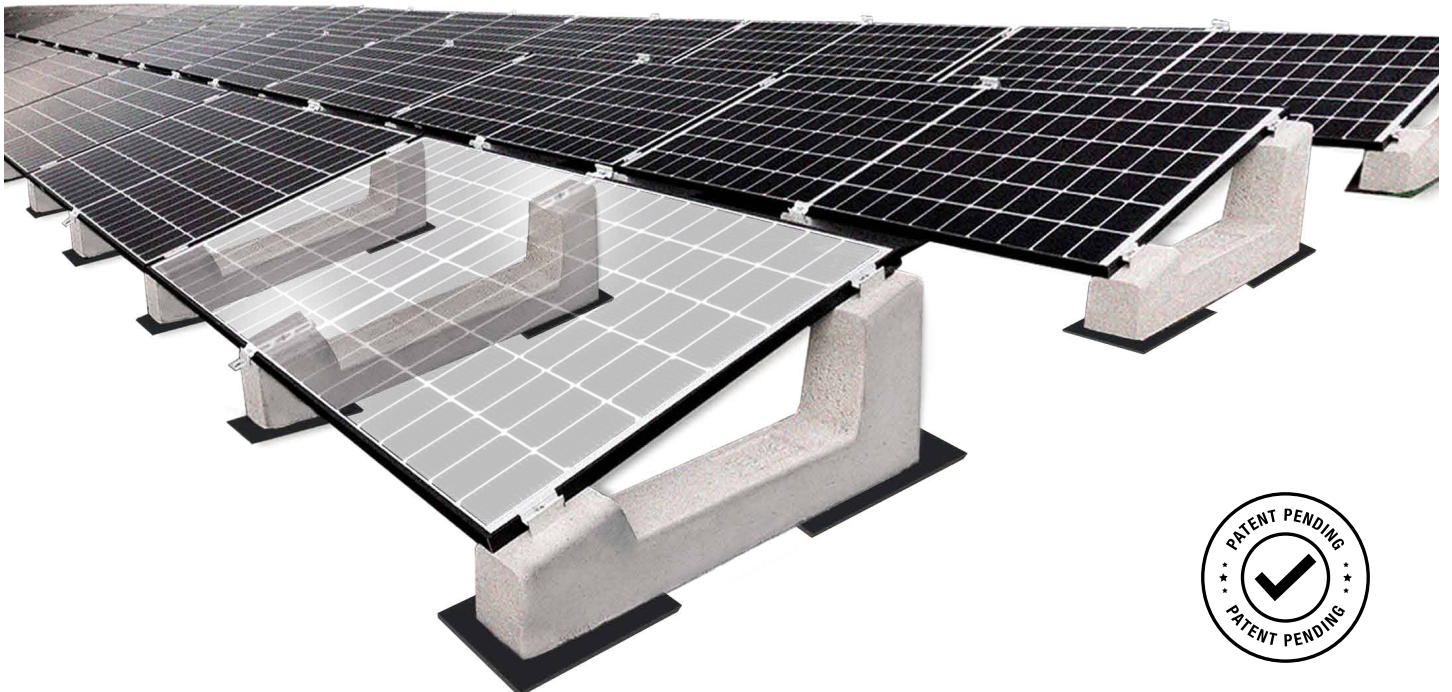
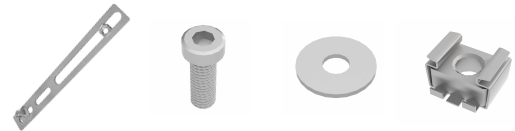
### THE NEW SOLUTION FOR LARGE PANELS

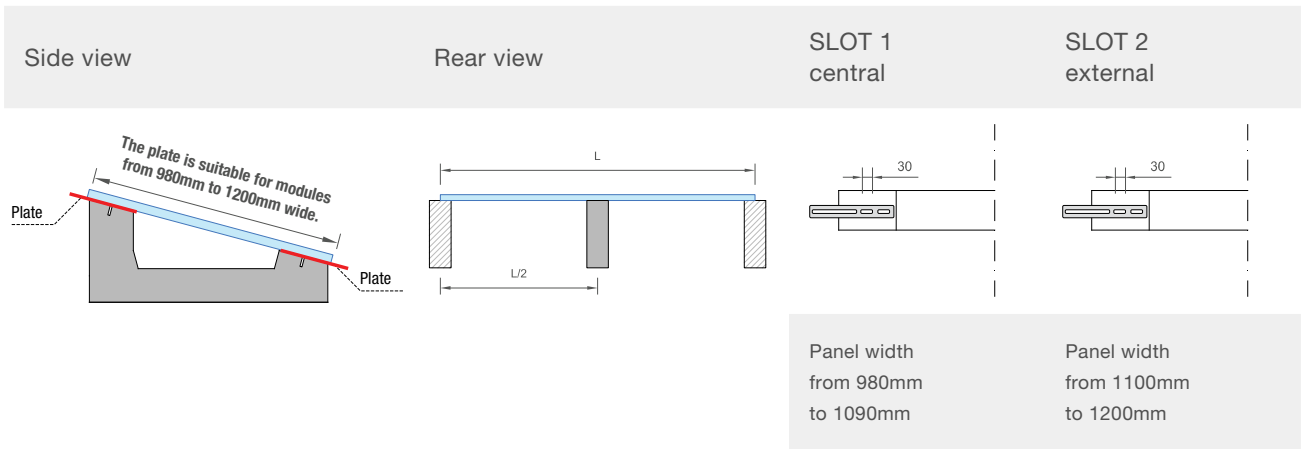
**NO-FLEX Standard** is a Sun Ballast accessory designed to be inserted on central reinforcement ballasts in order to support large panels and prevent them from bending in the middle.

Its "I" shape is designed to be compatible with all inclinations of Standard Sun Ballast systems, from 3° to 30°, with panels laid horizontally.



Item	Material	Thickness	Weight
K23712	Steel	30/10	120g
Plate	Bolt	Washer	Cage nut





USE ONE OF THE TWO 30MM SLOTS TO FIX THE PLATE ON THE CENTRAL REINFORCEMENT BALLASTS, DEPENDING ON THE PANEL WIDTH

### View of the **Standard** and **No-Flex** system from above

The 6 support points to which the panel is attached are indicated in red

