

Long side

# BALLASTED ROOF SYSTEM BR6

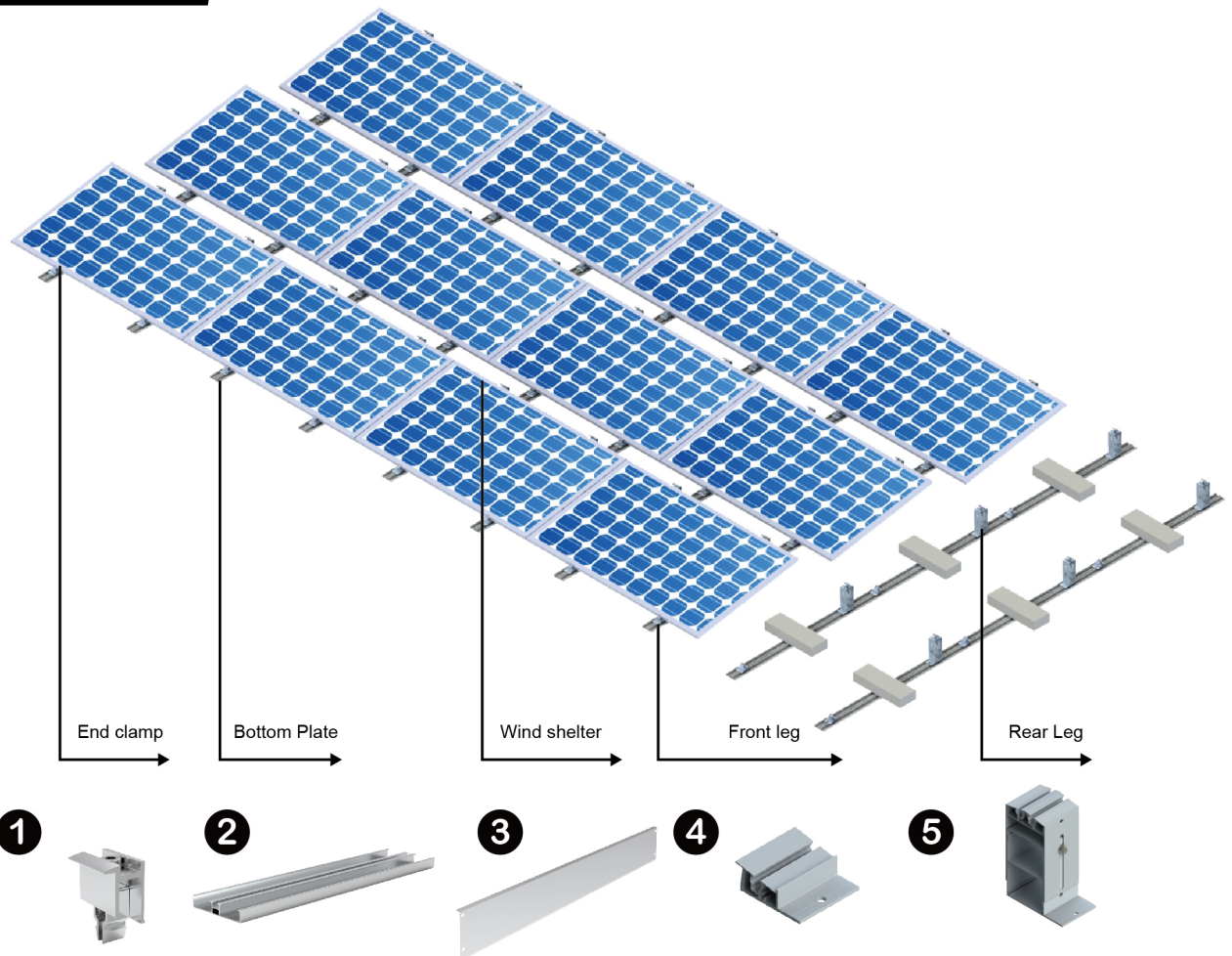


## Installation manual

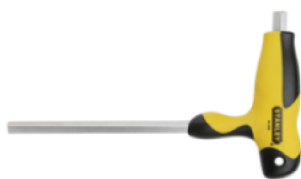
Web: [www.hqmount.com](http://www.hqmount.com)

Email: [info@hqmount.com](mailto:info@hqmount.com)

### Components



### Installation Tools



M8 Allen key



Hexagon socket wrench



Electrical drill

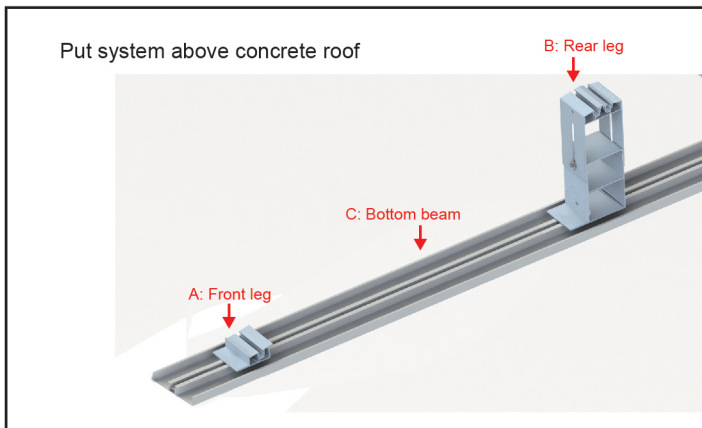
# Long side BALLASTED ROOF SYSTEM BR6

## Installation manual

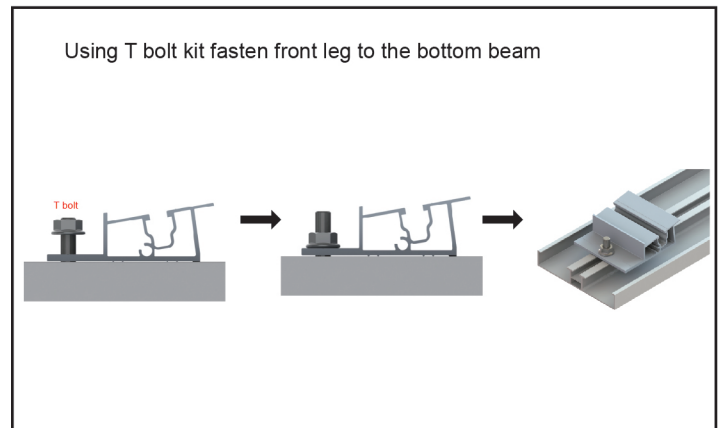
Web: [www.hqmount.com](http://www.hqmount.com)

Email: [info@hqmount.com](mailto:info@hqmount.com)

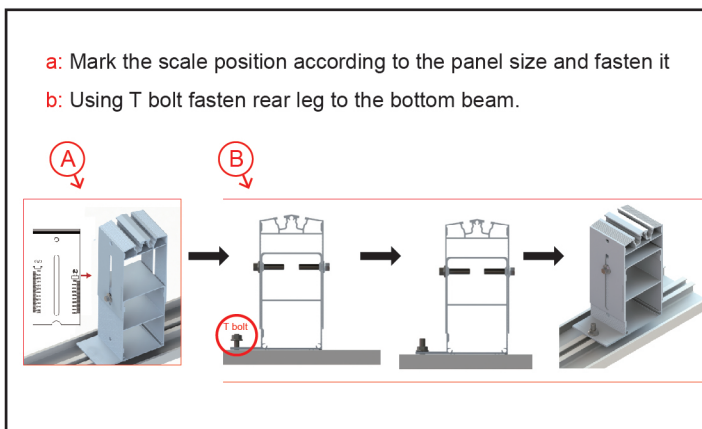
### Step 1 Installation



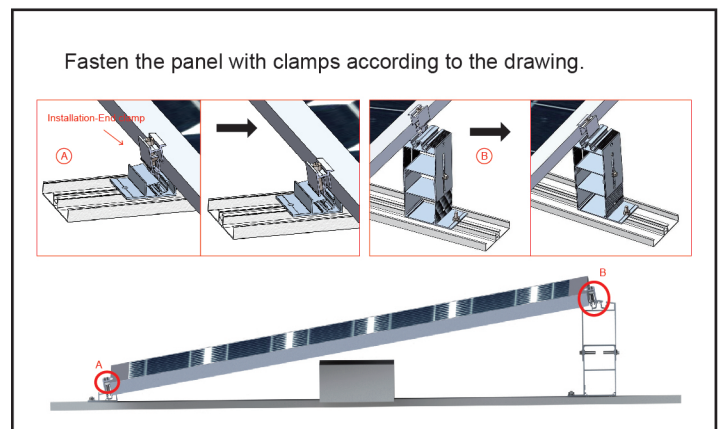
### Step 2 Installation-Front leg



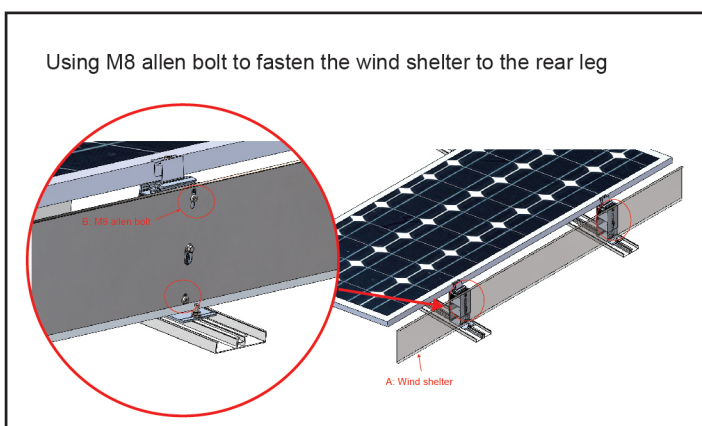
### Step 3 Installation Rear leg



### Step 4 Installation-Panel



### Step 5 Installation-Wind shelter



### Step 6 Installation-Completed

