

- ◆ TT-MDL-48V-100Ah
- ◆ TT-MDL-24V-200Ah

- ◆ TT-MDL-12V-100Ah

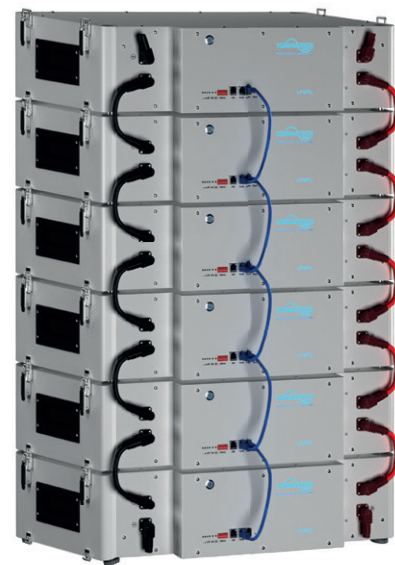


TommaTech Modular Series Lithium Battery solutions based on reliable Lithium Iron Phosphate cells are available in 12.8V, 25.6V and 51.2V options. TommaTech lithium batteries with deep-cycle discharge rates provide great performance in long-term energy storage solutions. TommaTech Modular Series Lithium Battery solutions, which can be utilized in a broad scope of projects such as residential energy solutions, marine/caravan installations, power stations and independent energy storage solutions, are offered to users with many unique features.

- High Performance**
 Great performance based on the latest generation of LiFePO₄ technology
- Smart Management System**
 The advanced built-in BMS technology ensures a safe operation
- Long Lifespan**
 Long lifespan up to 5000 cycles
- Durable Metal Case**
 Aesthetic, compact and durable metal cabinet design

- Expandable Capacity**
 Parallel Connection up to 16 Batteries
- Temperature Resistant**
 Temperature sensor and heat resistant casing
- IP65 Protection Class**
 IP65 compatible metal cabinet and connector components

TommaTech Modular Series Lithium Batteries, which are made out of heat-resistant LFP cylindrical battery cells in a fireproof battery case, are equipped with temperature sensors for additional safety. Furthermore, the batteries, which were manufactured following our specially developed quality and security concept, are designed to feature a BMS (Battery Management System) with balancing function, pure copper conductors and reliably performing LFP battery cells.



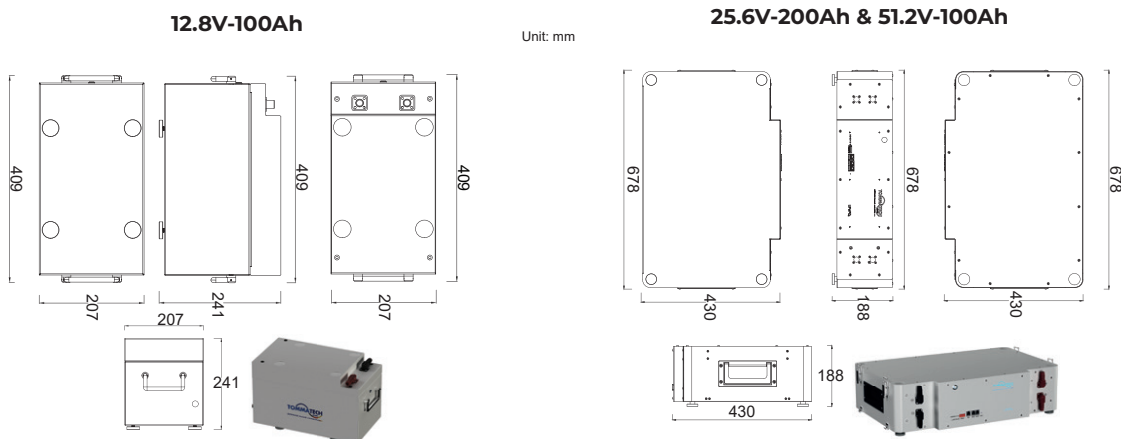
TommaTech Modular Series LFP Lithium Batteries with advanced built-in BMS allow up to 16 units connected in parallel with no performance loss. This results in energy storage capacities of up to 80kWh in a single battery-bank



TECHNICAL SPECIFICATIONS

	TT-MDL-12V-100Ah	TT-MDL-24V-200Ah	TT-MDL-48V-100Ah
ELECTRICAL SPECIFICATIONS			
Nominal Voltage [V]	12.8	25.6	51.2
Nominal Capacity [Ah]	100	200	100
Nominal Energy [Wh]	1280	5120	5120
Recommended Charging Current [A]	30	30	30
Maximum Charging Current [A]	50	50	50
Recommended Charging Voltage [V]	14.2	28.4	56.8
Maximum Charging Voltage [V]	14.6	29.2	58.4
Recommended Discharge Current [A]	50	50	50
Maximum Discharge Current [A]	100	100	100
Discharge Cut-off Voltage [V]	11.1±0.2	22.4±0.2	44.8±0.2
CYCLE SPECIFICATIONS (at 25°C)			
100% D.O.D		2000 Cycles	
50% D.O.D		3400 Cycles	
30% D.O.D		4800 Cycles	
SAFETY AND STANDARDS			
Overcharge Protection		Yes	
Overdischarge Protection		Yes	
Overcurrent Protection		Yes	
Short Circuit Protection		Yes	
Overtemperature Protection		Yes	
Temperature Sensor		Yes	
Adjustable Charge / Discharge Current		Yes	
Grounding		Yes	
Cell Type		LFP 32700 Cylindrical	
Safety Standards		IEC 61960 / 62133-2	
ENVIRONMENTAL CONDITIONS			
Charging Temperature [°C]		0 ~ +60	
Discharge Temperature [°C]		-20 ~ +60	
Storage Temperature [°C]		0 ~ +35	
Humidity (Non-Condensing) [%]		Max. 95%	
Protection Class		IP65	
Design Life [Year]		>10	
Warranty [Year]		5	
ADDITIONAL INFORMATION			
Dimensions (WxDxH) [mm]	208x410x242	679x431x189	679x431x189
Weight [kg]	15.5±0.5	55.5±0.5	55.5±0.5
Battery Connector	IP67 Protected Positive (+) and Negative (-) Pole Connector		
Serial Connection	No		
Parallel Connection	Yes (Max. 16 pcs)		
Communication	CAN / RS485		
Casing Material	Metal		

PHYSICAL CHARACTERISTICS



* TommaTech GmbH reserves the right to change the specification of product without prior notice.

* The charge, discharge, capacity, and cycle values stated above are valid at 25 °C and non-condensing environment.

Ver.2303.15