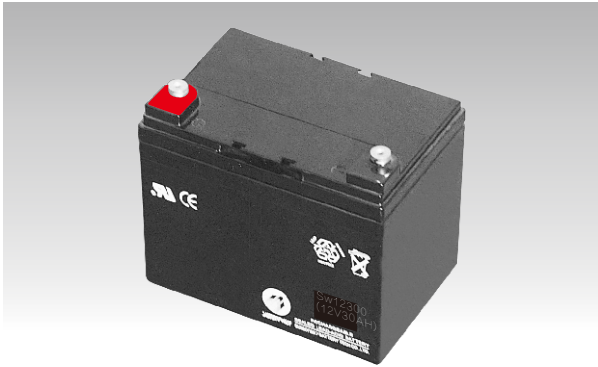




SW12330E(12V33AH)



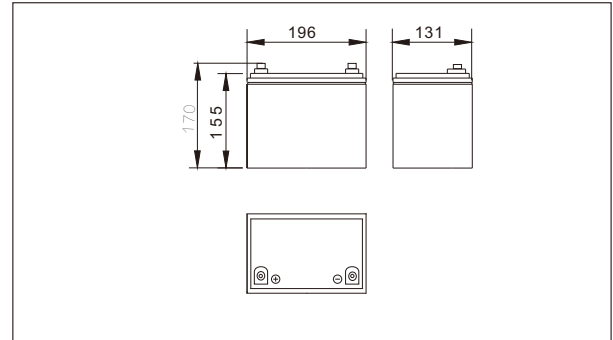
Specifications

| | | |
|-------------------------------|--------------|----------------------|
| Nominal Voltage | | 12V |
| Rated capacity (10 hour rate) | | 33 Ah |
| Dimensions | Total Height | 170 mm (6.69 inches) |
| | Height | 155 mm (6.10 inches) |
| | Length | 196 mm (7.70 inches) |
| | Width | 131mm (5.16 inches) |
| Weight Approx | | 10.0Kg (22.0lbs) |

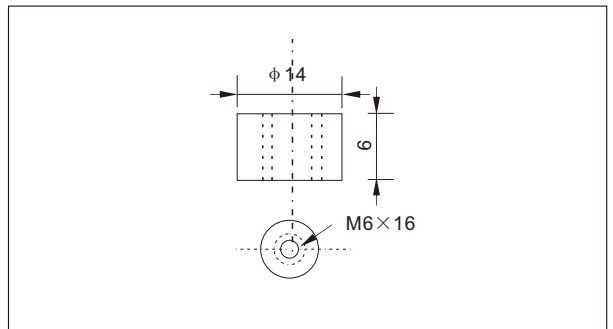
Characteristics

| | | |
|--------------------------------------------------------|---------------------------------|-----------------------------------------------------------------|
| Capacity 25°C(77°F) | 10 hour rate(3.0 A) | 33.0 AH |
| | 5 hour rate(4.8 A) | 26.5 AH |
| | 1 hour rate(18.0 A) | 19.8 AH |
| | 1.5 hour discharge to 10.5V | 13.2 A |
| Internal Resistance Full charged Battery at 25°C(77°F) | | 10 mΩ |
| Capacity affected by Temperature (10hour rate) | 40°C(104°F) | 102% |
| | 25°C(77°F) | 100% |
| | 0°C(32°F) | 85% |
| | -15°C(5°F) | 65% |
| Self-Discharge at 25°C(77°F) | Capacity after 3 month storage | 91% |
| | Capacity after 6 month storage | 82% |
| | Capacity after 12 month storage | 64% |
| Terminal | | T9、T16 |
| Charge (constant Voltage) | Cycle | Initial Charging Current less than 6.6A Voltage 14.20-14.50V |
| | Float | Voltage 13.50-13.80V |

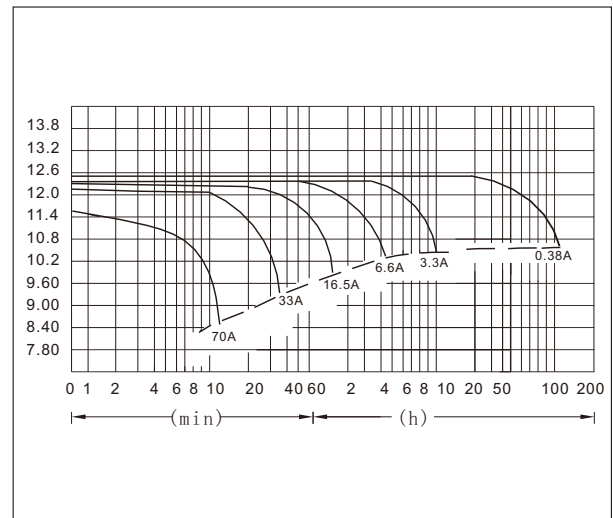
Outer dimensions (mm)



Terminal Type (mm)



Discharge Curves 25°C(77°F)



Constant Current(Amp) and Constant Power(Watt) Discharge Table at 25°C(77°F)

| Time | | 10min | 30min | 1h | 3h | 4h | 5h | 8h | 10h | 20h | 50h | 100h |
|--------|---|-------|-------|------|-----|-----|-----|-----|------|------|------|------|
| 9.60V | A | 70 | 38 | 20 | 8.5 | 6.6 | 5.4 | 3.8 | 3.5 | 1.87 | 0.78 | 0.40 |
| | W | 773 | 403 | 229 | 98 | 76 | 63 | 44 | 40 | 21.7 | 9.3 | 4.8 |
| 10.20V | A | 68 | 37 | 18.6 | 8.3 | 6.4 | 5.3 | 3.8 | 3.4 | 1.82 | 0.75 | 0.39 |
| | W | 744 | 399 | 216 | 96 | 75 | 62 | 43 | 39 | 21.1 | 8.9 | 4.6 |
| 10.50V | A | 65 | 35 | 18 | 8.1 | 6.3 | 5.3 | 3.7 | 3.3 | 1.80 | 0.74 | 0.38 |
| | W | 721 | 377 | 209 | 93 | 73 | 61 | 43 | 39 | 20.9 | 8.8 | 4.5 |
| 10.80V | A | 60 | 34 | 17 | 7.9 | 6.2 | 5.1 | 3.6 | 3.2 | 1.78 | 0.73 | 0.38 |
| | W | 693 | 363 | 200 | 91 | 72 | 60 | 42 | 38 | 20.7 | 8.6 | 4.5 |
| 11.10V | A | 55 | 31 | 16 | 7.6 | 6.0 | 5.0 | 3.5 | 3.14 | 1.69 | 0.71 | 0.36 |
| | W | 681 | 360 | 194 | 90 | 71 | 60 | 42 | 37 | 20.1 | 8.5 | 4.3 |