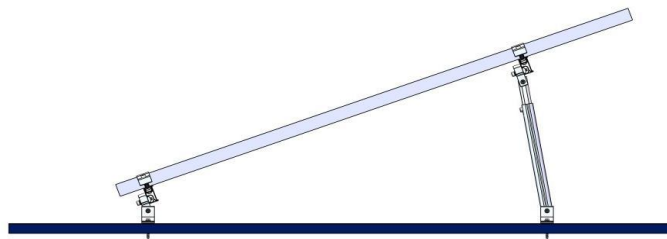
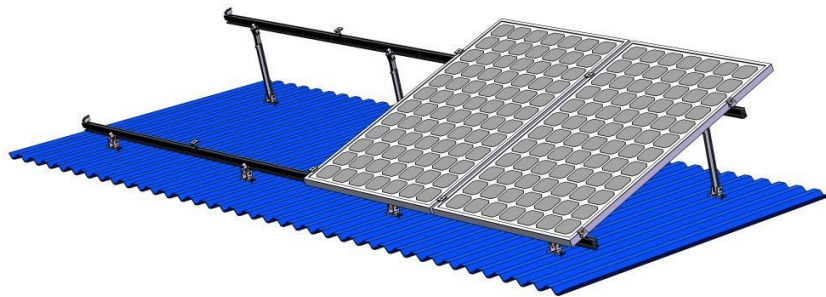


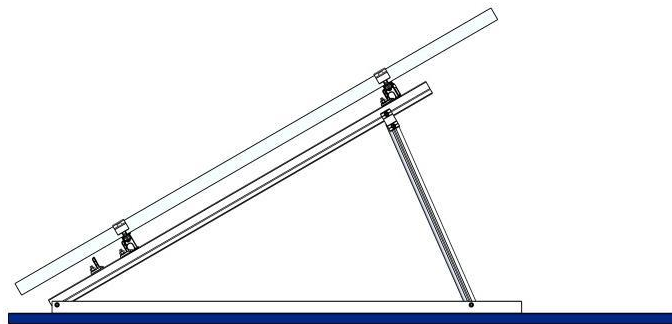
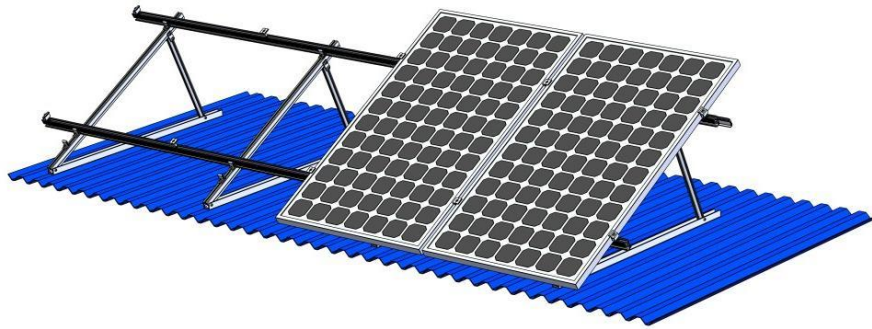
TILT

Powerack adjustable tilt system is used for metal roof concrete roof, you can fixed or adjustable angle as 10-15deg, 15-30deg and 30-60deg options to maximize energy production. All Products pre-assembled before shipment, to make the installation easy and quickly. Unique design of inner and outer tube with adjustable Joint, made structure stronger, different from the same type products on the market today, and widely compatible with standing seam clamp.

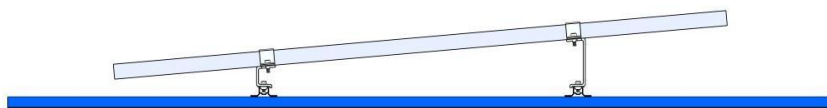
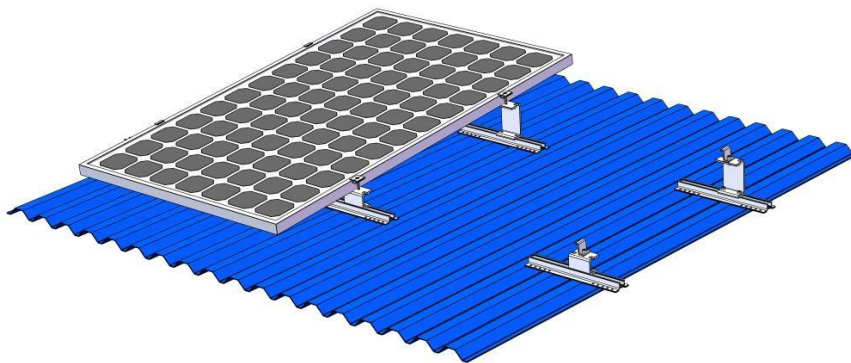


Powerack Tripod system is used for metal roof concrete roof, you can adjustable angle as 10-15deg, 15-30deg and 30-60deg options to maximize

energy production. All Products pre-assembled before shipment, to make the installation easy and quick for saving your labor cost and time. Customized angle allowed according to customer needs to meet special installation requirements.



Mini Rail with 5 degree support base, lift up the height of the solar panel to achieve cooling conditions, thus maximizing power generation. Simple design, easy to install, with good price.



Technical features:

Product name	Tilt solar mounting system
Product name	Metal Roof, Concrete Roof
Material	AL6005-T5, SUS304
Finish	AL 6005-T5 Anodized;
Standard	TUV, AS/NZ1170.2, JIS C 8955, MCS 012, TUV, UL2703 etc;
Tilt angle	10°~15°, 15°~30°, 30°~60°, other fixing angle;
Module orientation	Landscape or Portrait.