

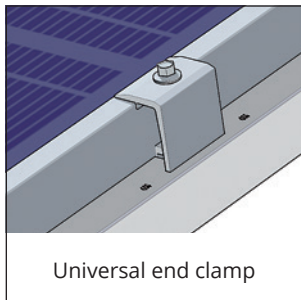
Sunbeam Nova

Product sheet

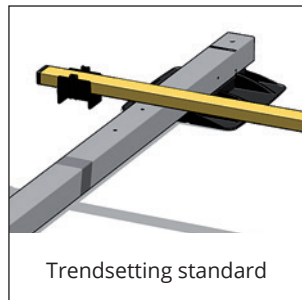


Installing solar panels? Start with the basics!

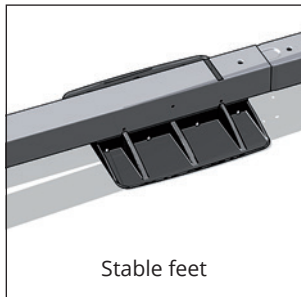
Sunbeam Nova is a well thought-out, TÜV-certified mounting system for installing solar panels on flat roofs. An ultra-fast installation is possible due to the smart and stable construction design. This design ensures that the solar panels are optimally and safely supported.



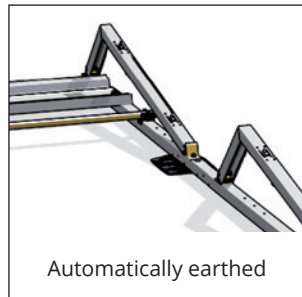
Universal end clamp



Trendsetting standard



Stable feet



Automatically earthed

Innovative features

Various solutions have been applied to the Sunbeam Nova system that every professional will appreciate:

- the panel is supported along its entire side
- all-metal construction, which complies with NEN1010 with regard to equipotential bonding / earthing
- 1 end clamp fits all panel thicknesses
- compact packaging with little waste
- can be assembled using 1 tool
- trendsetting standard for quick installation
- flexible ballasting, only where it counts
- system can be installed without the solar panels being available

Sunbeam Nova is a CO₂ neutral product



A solution for every project



Sunbeam Nova is available in 3 versions:

- Sunbeam Nova Universal** is the solution for solar panels facing south. With a panel angle of 12 degrees and a row distance of (optional) 1300, 1500 or 1700 mm, an optimal system can be realised for every project.
- Sunbeam Nova Symmetrical** is a symmetrical ('east-west') system, with two solar panels per position, set at angles of 10 degrees. This provides even greater roof utilisation (kWp/m²) and maximum yield (kWh/y) per roof, at a lower cost and shorter installation time per module.
- Sunbeam Nova Symmetrical is also available in a Portrait version.** A separate product sheet is available for Sunbeam Nova Symmetrical Portrait.

General features										
materials used	Zn/Al/Mg coated steel ('Magnelis'), stainless steel, aluminum, plastic (HDPE)									
suitable roof types	flat roof (bitumen, PVC, EPDM, TPO); maximum slope allowed is 5 degrees									
suitable modules	maximum 2156 x 1205 mm									
roof load	is determined per project in accordance with the Eurocode; it varies in practice between approx. 12 and 20 kg/m ²									
warranty	see warranty terms and specific warranty conditions at: www.sunbeam.solar									
Nova Universal				Nova Symmetrical						
panel angle	12 degrees, south facing				2 x 10 degrees, virtually direction-independent					
row distance	1300	1500	1700	mm	2100	2200	2300	2400	2500	mm
shadow angle	33	22	16	degrees	8	8	8	8	8	degrees

Sunbeam Nova is the ultimate mounting system for flat roofs

Sunbeam BV

Kwikstaartlaan 18
NL-3704 GS Zeist
The Netherlands

Tel: +31 (0)30 430 03 33
info@sunbeam.solar
www.sunbeam.solar

