

Aegis M-type Module Specification

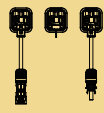
Monocrystalline 6X20 Solar Modules for Salt Field Type

320-345Wp



Electrial Data							
Model Name		TS60-6MH-320 H1	TS60-6MH-325 H1	TS60-6MH-330 H1	TS60-6MH-335 H1	TS60-6MH-340 H1	TS60-6MH-345 H1
Max. power at STC	P_{max} W	320	325	330	335	340	345
Max. power voltage	V_{pmax} V	33.19	33.31	33.43	33.54	33.73	33.89
Max. power current	I_{pmax} A	9.70	9.81	9.91	10.01	10.09	10.18
Open circuit voltage	V_{oc} V	40.18	40.21	40.25	40.29	40.31	40.34
Short circuit current	I_{sc} A	10.11	10.23	10.32	10.43	10.56	10.69
Module Conversion Eff.	%	18.76%	19.06%	19.35%	19.64%	19.94%	20.23%

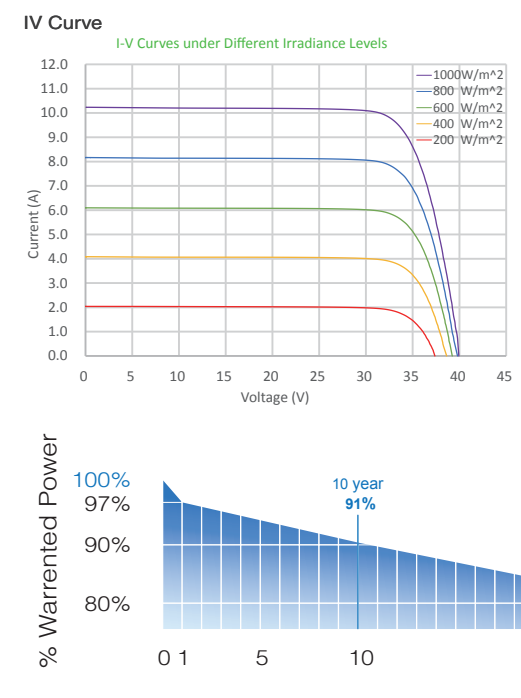
* Under Standard Test Condition(1,000W/m²,25°C,AM 1.5): Power Tolerance ±3%
 * Module Conversion Eff. (%) = [Max power at STC(w) / ((Solar Module Area(m²) × 1000 (w/m²))] × 100%

General Data	
Cell type	6" Monocrystalline
Cell per module	Mono-crystalline silicon solar cell (120 pcs)
Front	Low-iron tempered glass
Encapsulant Flim	Low water vapor transmission rate (WVTR) material
Rear	Anti-Salt Mist composite film
Frame	Anti-Salt Mist 6063T5 aluminum
Junction Box	IP68
	
Connector	EVO-2 / EVO-2 Compatible
Cable	1000mm / 12 AWG / 4mm ²

Temperature Coefficient			
Nominal Operating	NOCT	°C	43±2
Cell Temperature			
TC I_{sc}	α	%/°C	+0.07
TC V_{oc}	β	%/°C	-0.33
TC P_{max}	γ	%/°C	-0.41

Operation Conditions	
Max. system voltage	1500V
Module fire resistance class	Class C
Protection Class (IEC 61140)	Class II
Series fuse rating	15 A
Number of bypass diodes	3
Temperature range	-40 to +85°C
Max. mechanical load	5400 pa(front side) 3600 Pa(rear side)

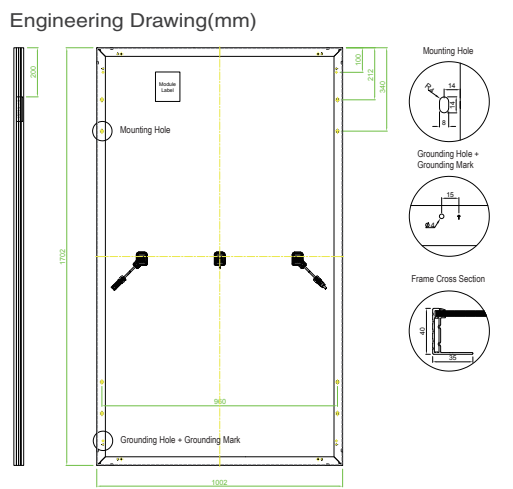
Module Dimensions and Weight	
Dimension	1,702x 1002 x 40 mm
Weight	20 Kg



Certifications

- IEC 61215:2016 \ IEC 61730-1:2016 & IEC 61730-2:2016
- ISO 9001:2015 Quality management system
- ISO 14001:2015 Environmental management system
- ISO 45001:2018 Occupational health and safety management system





Warranty

- 12-year materials and workmanship warranty
- 25-year linear power warranty

Made in Taiwan * The information in this document is subject to change without notice * TSEC reserves the rights of final interpretation and revision of datasheet. Version: Second edition, April 2023.

TSEC Corporation
 Taipei Headquarters | 8F., No.225, Sec3, Beixin Rd., Xindian Dist., New Taipei City 231, Taiwan, R.O.C
 T +886-2-2912-2199 F +886-2-2917-5399 M taiwan.sales@tsecpv.com(Sales Contact) epc@tsecpv.com(EPC Construction Service)