

SOLAR MODULE 315 - 330 W



**G1 - MONOCRYSTALLINE
HIGH EFFICIENCY**



ADVANCED PERC CELL TECHNOLOGY

Absorbing more light, High module efficiency
Low breakage rate, Annual power degradation 0.7%



FAST & SAFE

Easy installation and handling
Environmentally friendly



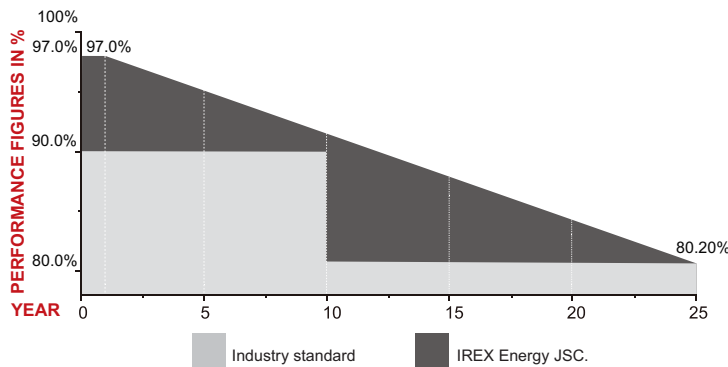
MODULE DURABILITY

Mechanical load test (withstand wind, snow, stator ice)
up to 5400Pa
Ideal for PV rooftops, ground mount, floating



THE #1 DOMESTIC PV MANUFACTURER IN VIETNAM

100% Automatic production line
International quality PV technology



ADDITIONAL LINEAR WARRANTY VALUE FROM IREX ENERGY JSC

0 ~ +5W
Power Tolerance

12 - years
Material & workmanship

25 - years
Linear power Output

HIGH QUALITY FOR PROSPERITY

IREX Energy Joint Stock Company produces the #1 Vietnamese-Made Photovoltaic (PV) modules, internationally certified with excellent performance and flexible in customization per demand.

Going solar requires a long-term commitment. You can sit back, relax and enjoy the sunshine; as our company will **always be with you in 25 years!**

With the **finest price and customer service** can only be found at IREX Joint Stock Company, we look forward to working with you soon!

CERTIFICATES



ISO 9001:2015: Quality Management System
ISO 14001:2015: Environmental Management System



ISO 14001: 2015
Environmental Management System
qms.com.au
AN: 51410994MA

IREX ENERGY JOINT STOCK COMPANY

Head Office: No. 47, Le Van Thinh Street, Quarter 5
Binh Trung Dong Ward, Thu Duc City, HCMC, Vietnam,
Factory Address: Road No. 1A, Phu My 1 Industrial Zone,
Tan Phuoc Ward, Phu My Town, Ba Ria - Vung Tau Province, Vietnam
Tel: +84-28-7300-1559 | Email: info@irex.vn | Website: www.irex.vn
Fax HCMC: +84-28-7300-6760 | Fax IREX Factory: +84-254-2923-594



SOLAR MODULE 315 - 330 W



Electrical Characteristics

| Module Type | IRM60S1-315 | | IRM60S1-320 | | IRM60S1-325 | | IRM60S1-330 | |
|--------------------------------------|-------------|-------|-------------|-------|-------------|-------|-------------|-------|
| | STC | NMOT | STC | NMOT | STC | NMOT | STC | NMOT |
| Maximum Power at STC (Pmp) | 315 | 228.9 | 320 | 232.6 | 325 | 236.2 | 330 | 239.9 |
| Open Circuit Voltage (Voc) | 40.87 | 36.98 | 40.98 | 37.20 | 41.08 | 37.43 | 41.12 | 37.59 |
| Short Circuit Current (Isc) | 9.98 | 7.85 | 10.02 | 7.86 | 10.04 | 7.90 | 10.04 | 7.94 |
| Maximum Power Voltage (Vmp) | 32.92 | 31.16 | 33.37 | 31.59 | 33.85 | 31.98 | 34.30 | 32.40 |
| Maximum Power Current (Imp) | 9.57 | 7.35 | 9.59 | 7.36 | 9.60 | 7.39 | 9.62 | 7.40 |
| Module Efficiency at STC(η_m) | 18.89 | | 19.19 | | 19.49 | | 19.79 | |
| Power Tolerance | (0 ~ +5 W) | | | | | | | |
| Maximum System Voltage | 1500 VDC | | | | | | | |
| Maximum Series Fuse Rating | 20 A | | | | | | | |

STC: Irradiance 1000 W/m², cell temperature 25°C, spectrum AM1.5

NMOT: Irradiance 800 W/m², ambient temperature 20°C, spectrum AM1.5, wind speed 1m/s

Temperature Characteristics

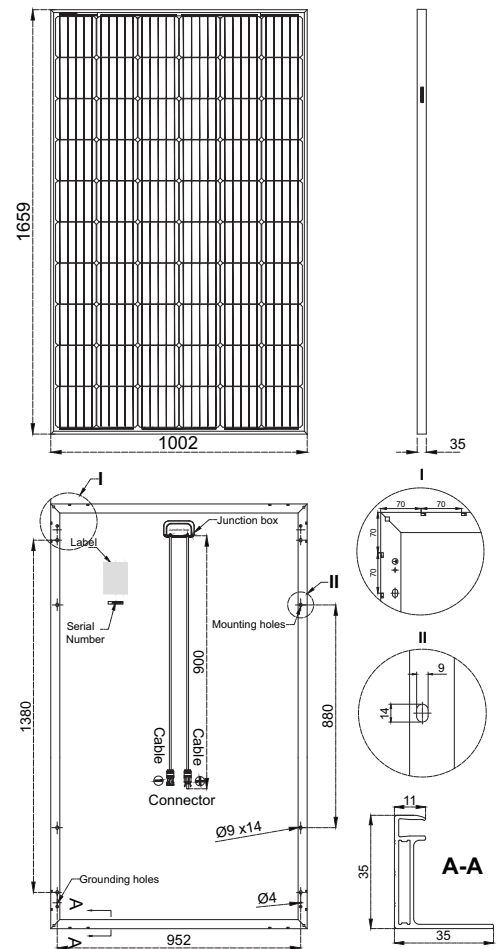
| | |
|---|--------------|
| Pmax Temperature Coefficient | -0.390 %/°C |
| Voc Temperature Coefficient | -0.290 %/°C |
| Isc Temperature Coefficient | +0.042 %/°C |
| Operating Temperature | -40 ~ +85 °C |
| Nominal Module Operating Temperature (NMOT) | 45 ± 2 °C |

Mechanical Specifications

| | |
|---------------------|---|
| External Dimensions | 1659 x 1002 x 35 mm |
| Weight | 19.3 kg |
| Solar Cells | PERC Mono 158.75 x 158.75 mm (60 pcs) |
| Front Glass | 3.2mm AR coating tempered glass, low iron |
| Frame | Anodized aluminium alloy |
| Junction Box | IP68, 3 diodes |
| Output Cables | 4.0mm ² , 1100 mm or Customized Length |
| Mechanical Load | Front side 5400Pa/ Rear side 2400Pa |

Packing Configuration

| | 1659 x 1002 x 35 mm | | |
|-----------------------|---------------------|-------|-------|
| Container | 20'GP | 40'GP | 40'HQ |
| Pieces per Pallet | 30 | 30 | 30 |
| Pallets per Container | 12 | 28 | 28 |
| Pieces per Container | 360 | 840 | 896 |



Performance

