

SOLAR MODULE 385 - 400 W



**G1 - MONOCRYSTALLINE
HIGH EFFICIENCY**



ADVANCED PERC CELL TECHNOLOGY

Absorbing more light, High module efficiency
Low breakage rate, Annual power degradation 0.7%



FAST & SAFE

Easy installation and handling
Environmentally friendly



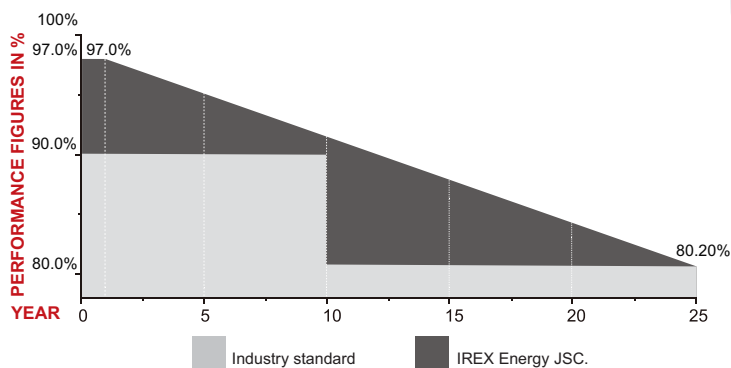
MODULE DURABILITY

Mechanical load test (withstand wind, snow, static ice)
up to 5400Pa
Ideal for PV rooftops, ground mount, floating



THE #1 DOMESTIC PV MANUFACTURER IN VIETNAM

100% Automatic production line
International quality PV technology



ADDITIONAL LINEAR WARRANTY VALUE FROM IREX ENERGY JSC



HIGH QUALITY FOR PROSPERITY

IREX Energy Joint Stock Company produces the #1 Vietnamese-Made Photovoltaic (PV) modules, internationally certified with excellent performance and flexible in customization per demand.

Going solar requires a long-term commitment. You can sit back, relax and enjoy the sunshine; as our company will **always be with you in 25 years!**

With the **finest price and customer service** can only be found at IREX Joint Stock Company, we look forward to working with you soon!

CERTIFICATES



ISO 9001:2015: Quality Management System



ISO 14001:2015
Environmental Management System
qms.com.au
AN: 51410994MA

ISO 14001:2015: Environmental Management System

IREX ENERGY JOINT STOCK COMPANY

Head Office: No. 47, Le Van Thinh Street, Quarter 5
Binh Trung Dong Ward, Thu Duc City, HCMC, Vietnam,
Factory Address: Road No. 1A, Phu My 1 Industrial Zone,
Tan Phuoc Ward, Phu My Town, Ba Ria - Vung Tau Province, Vietnam
Tel: +84-28-7300-1559 | Email: info@irex.vn | Website: www.irex.vn
Fax HCMC: +84-28-7300-6760 | Fax IREX Factory: +84-254-2923-594



SOLAR MODULE 385 - 400 W



Electrical Characteristics

Module Type	IRM72S1-385		IRM72S1-390		IRM72S1-395		IRM72S1-400	
	STC	NMOT	STC	NMOT	STC	NMOT	STC	NMOT
Maximum Power at STC (Pmp)	385	284	390	288	395	291	400	295
Open Circuit Voltage (Voc)	49.30	44.98	49.39	45.20	49.60	45.39	49.61	45.72
Short Circuit Current (Isc)	10.09	7.92	10.12	7.93	10.18	7.98	10.40	8.08
Maximum Power Voltage (Vmp)	39.90	38.12	40.28	38.48	40.31	38.85	40.15	39.38
Maximum Power Current (Imp)	9.65	7.45	9.68	7.49	9.80	7.49	9.96	7.50
Module Efficiency at STC(ηm)	19.41		19.66		19.91		20.16	
Power Tolerance	(0 ~ +5 W)							
Maximum System Voltage	1500 VDC							
Maximum Series Fuse Rating	20 A							

STC: Irradiance 1000 W/m², cell temperature 25°C, spectrum AM1.5

NMOT: Irradiance 800 W/m², ambient temperature 20°C, spectrum AM1.5, wind speed 1m/s

Temperature Characteristics

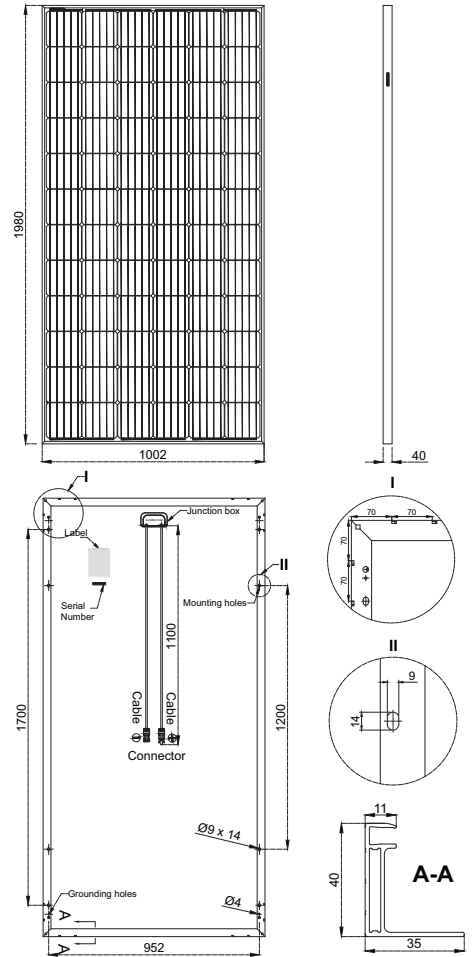
Pmax Temperature Coefficient	-0.390 %/°C
Voc Temperature Coefficient	-0.290 %/°C
Isc Temperature Coefficient	+0.042 %/°C
Operating Temperature	-40 ~ +85 °C
Nominal Module Operating Temperature (NMOT)	45 ± 2 °C

Mechanical Specifications

External Dimensions	1980 x 1002 x 40 mm
Weight	23.0 kg
Solar Cells	PERC Mono 158.75 x 158.75 mm (72 pcs)
Front Glass	3.2mm AR coating tempered glass, low iron
Frame	Anodized aluminium alloy
Junction Box	IP68, 3 diodes
Output Cables	4.0mm ² , 1100 mm or Customized Length
Mechanical Load	Front side 5400Pa/ Rear side 2400Pa

Packing Configuration

	1980 x 1002 x 40 mm		
Container	20'GP	40'GP	40'HQ
Pieces per Pallet	27	27	27
Pallets per Container	10	22	22
Pieces per Container	270	594	638



Performance

