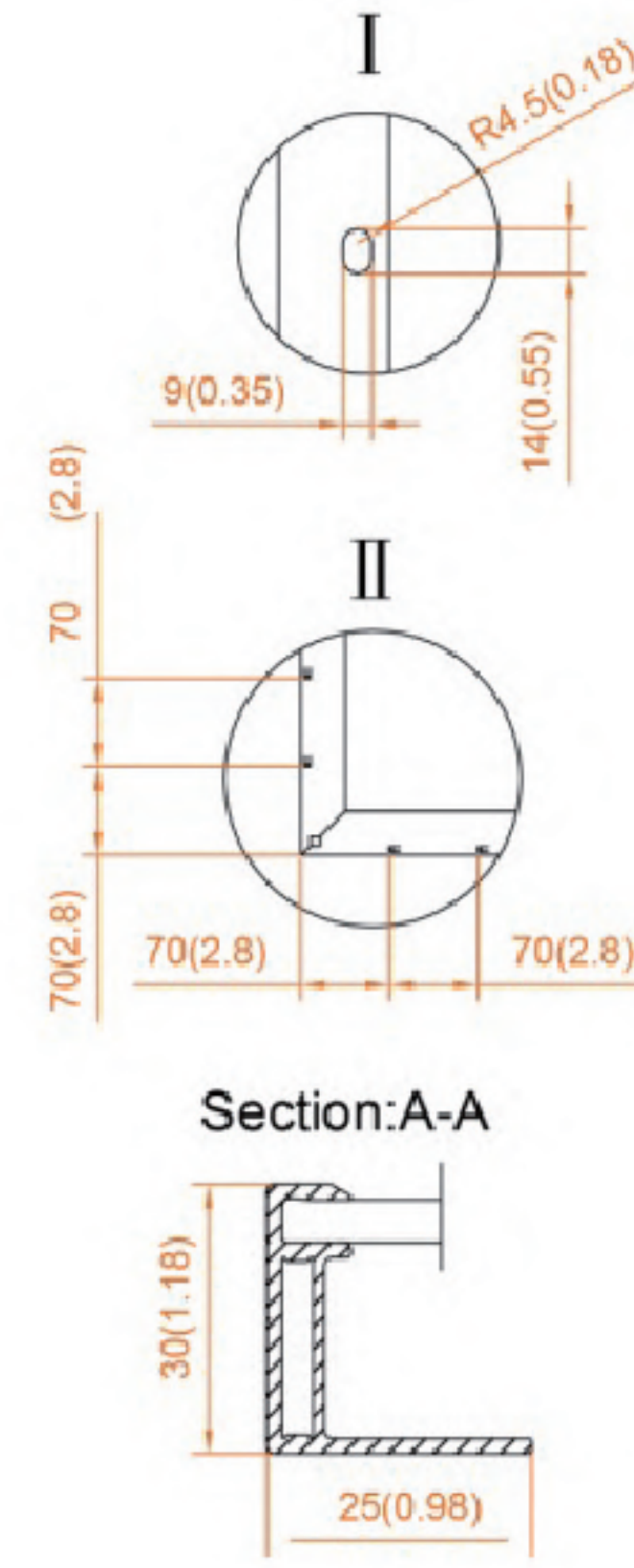
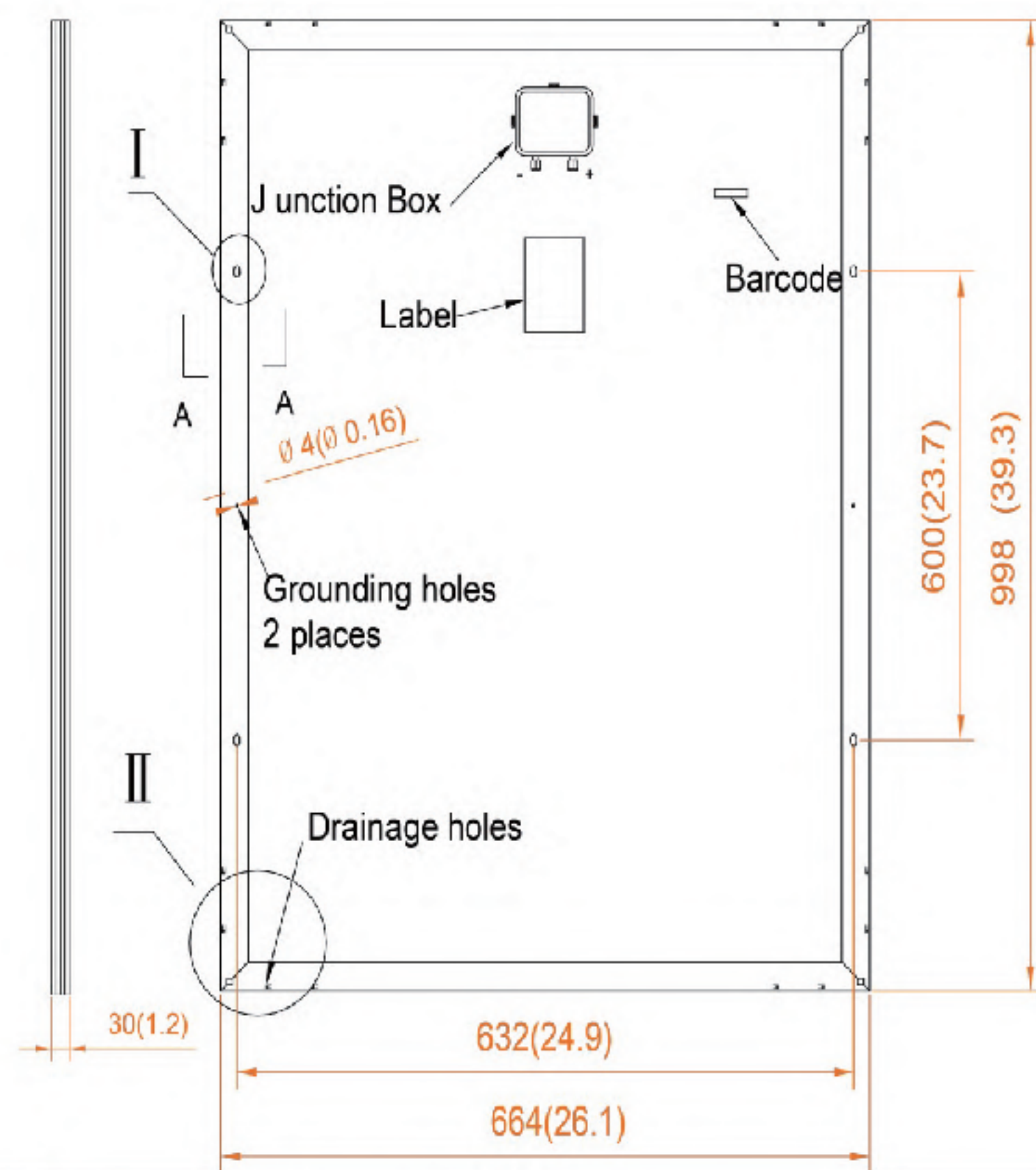
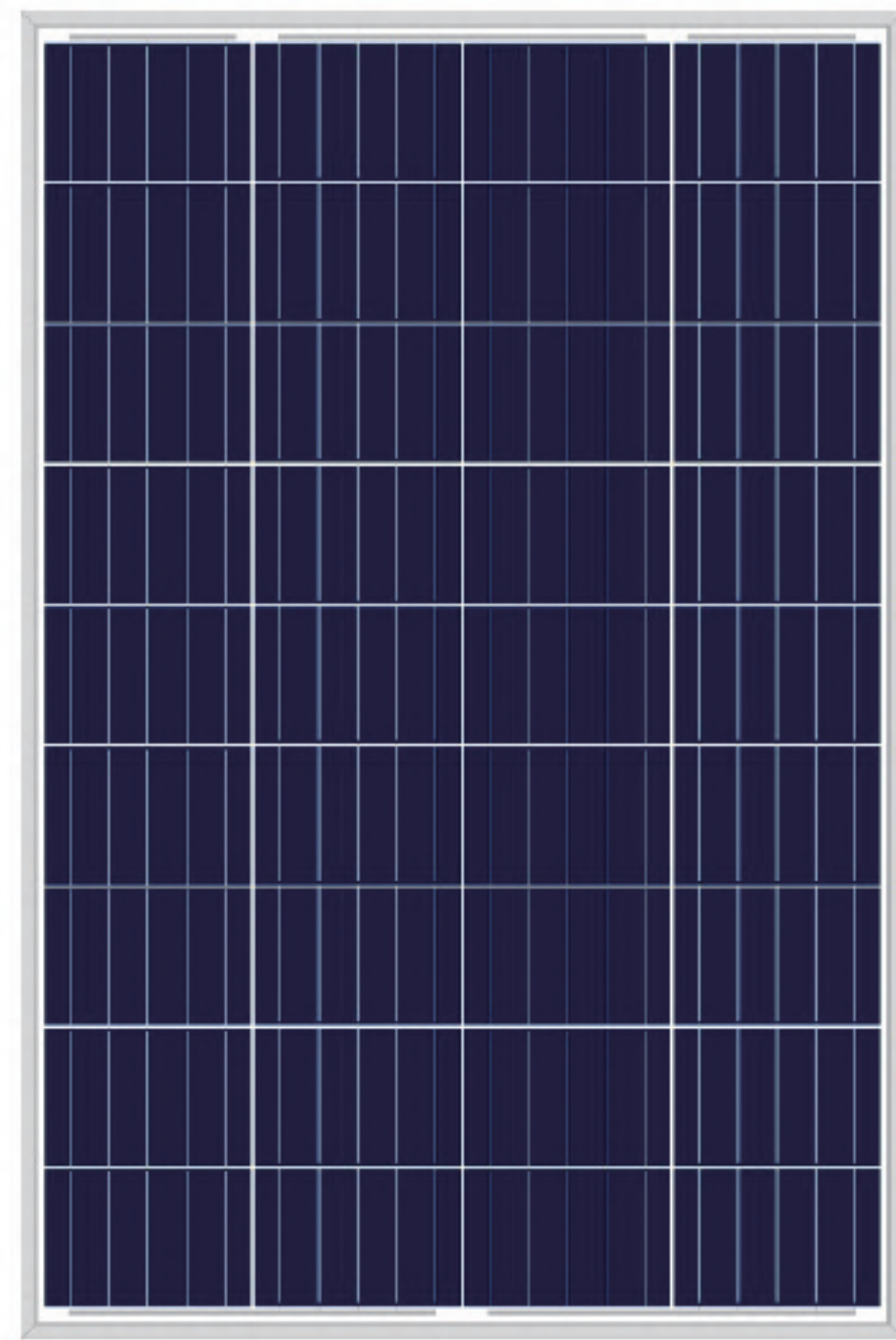




### 95~105 Watt



\*BLACK FRAME/BLACK BACK-SHEET PRODUCTS ARE AVAILABLE UPON REQUEST

#### MANAGEMENT SYSTEM

- ISO 9001: Quality management system
- ISO 14001: Standard for environmental management system
- OHSAS 18001: International standard for occupational health and safety assessment system

#### PRODUCT CERTIFICATES



#### Electrical Characteristics under STC\*

Module Type	FSM95P636	FSM100P636	FSM105P636
Maximum Power-Pmax (Wp)	95	100	105
Voltage at Maximum Power-Vmp (V)	18.2	18.4	18.6
Current at Maximum Power-Imp (A)	5.22	5.43	5.65
Open Circuit Voltage-Voc (V)	22.2	22.4	22.6
Short Circuit Voltage-Isc (A)	5.64	5.87	6.10
Module Efficiency- $\eta_m$ (%)	14.3	15.1	15.8
Power Tolerance (%)	0/+3	0/+3	0/+3

\*STC (Standard Testing Conditions): Irradiance 1000W/m<sup>2</sup>, cell temperature 25°C, AM=1.5

#### Mechanical Characteristics

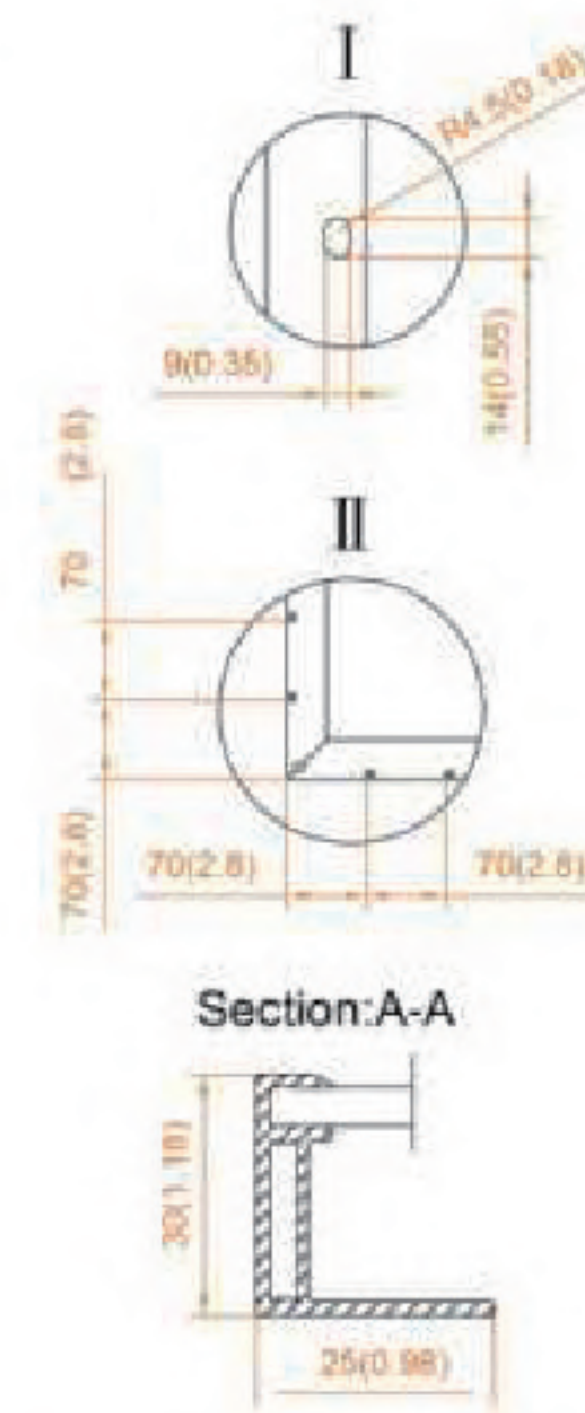
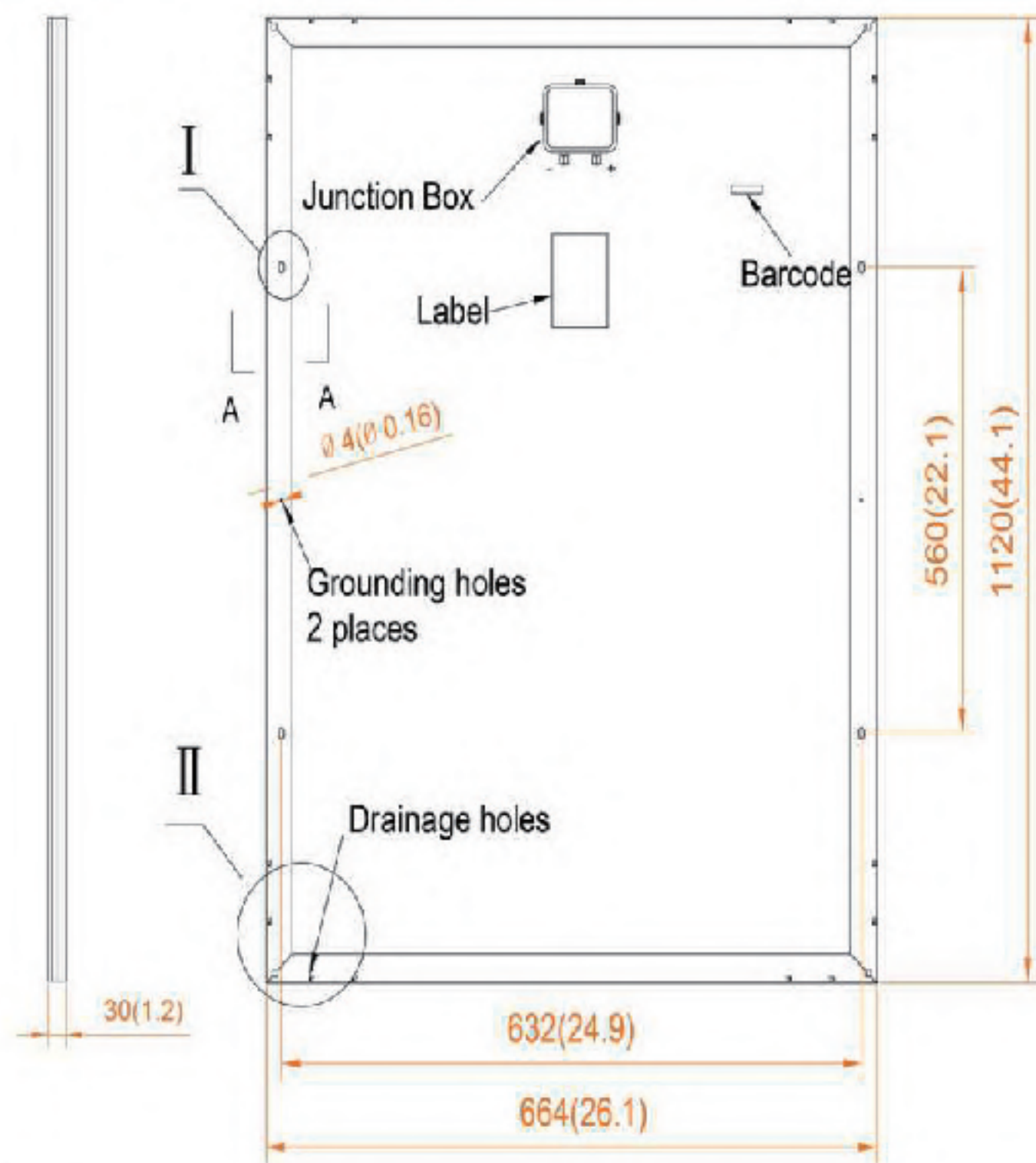
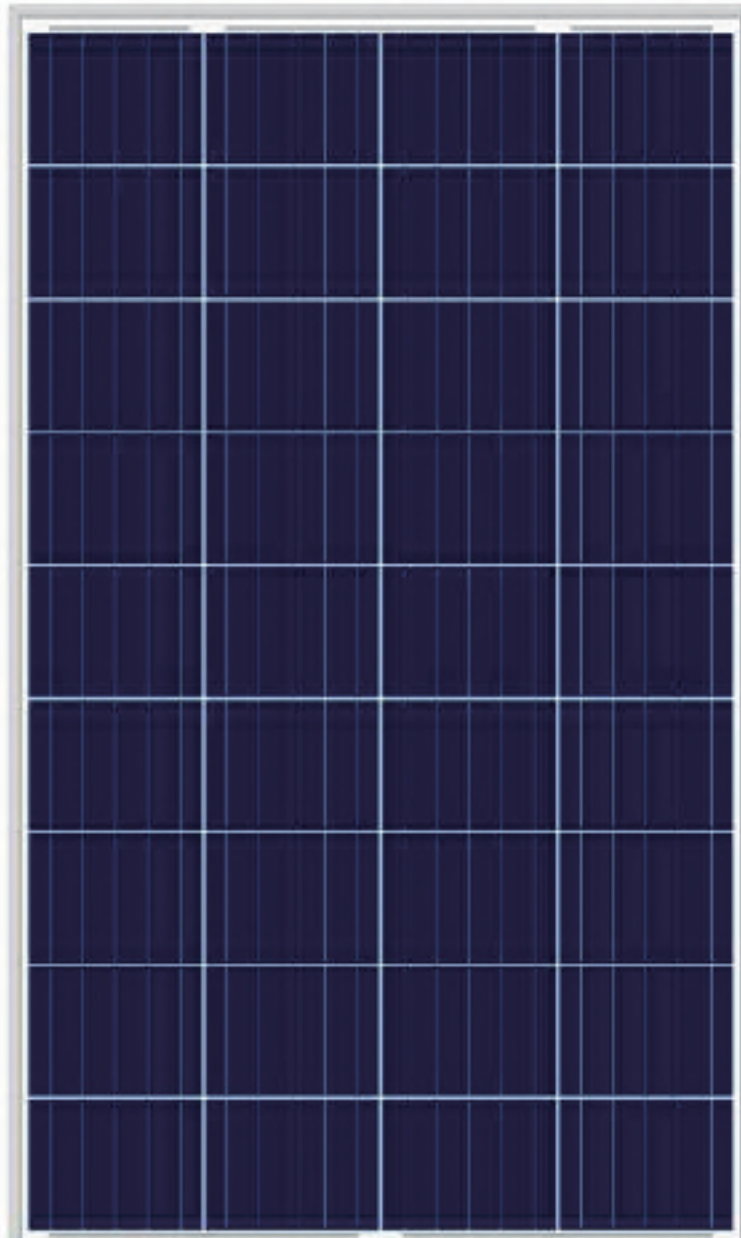
Cell Type	Poly-crystalline 156.75×104mm
Number of Cells	36 (4×9)
Dimension	998×664×30mm
Weight	7.6 kg

#### Packing Configuration

Quantity per Cartoon	35 pieces
Quantity per 20' Container	700 pieces
Quantity per 40' Container	2,310 pieces

### FSM110~120P636

### 110~120 Watt



\*BLACK FRAME/BLACK BACK-SHEET PRODUCTS ARE AVAILABLE UPON REQUEST

#### MANAGEMENT SYSTEM

- ISO 9001: Quality management system
- ISO 14001: Standard for environmental management system
- OHSAS 18001: International standard for occupational health and safety assessment system

#### PRODUCT CERTIFICATES



#### Electrical Characteristics under STC\*

Module Type	FSM110P636	FSM115P636	FSM120P636
Maximum Power-Pmax (Wp)	110	115	120
Voltage at Maximum Power-Vmp (V)	18.2	18.4	18.5
Current at Maximum Power-Imp (A)	6.04	6.25	6.49
Open Circuit Voltage-Voc (V)	22.2	22.4	22.5
Short Circuit Voltage-Isc (A)	6.53	6.75	7.01
Module Efficiency- $\eta_m$ (%)	14.8	15.5	16.1
Power Tolerance (%)	0/+3	0/+3	0/+3

\*STC (Standard Testing Conditions): Irradiance 1000W/m<sup>2</sup>, cell temperature 25°C, AM=1.5

#### Mechanical Characteristics

Cell Type	Poly-crystalline 156.75×117mm
Number of Cells	36 (4×9)
Dimension	1120×664×30mm
Weight	8.4 kg

#### Packing Configuration

Quantity per Cartoon	35 pieces
Quantity per 20' Container	700 pieces
Quantity per 40' Container	2,100 pieces