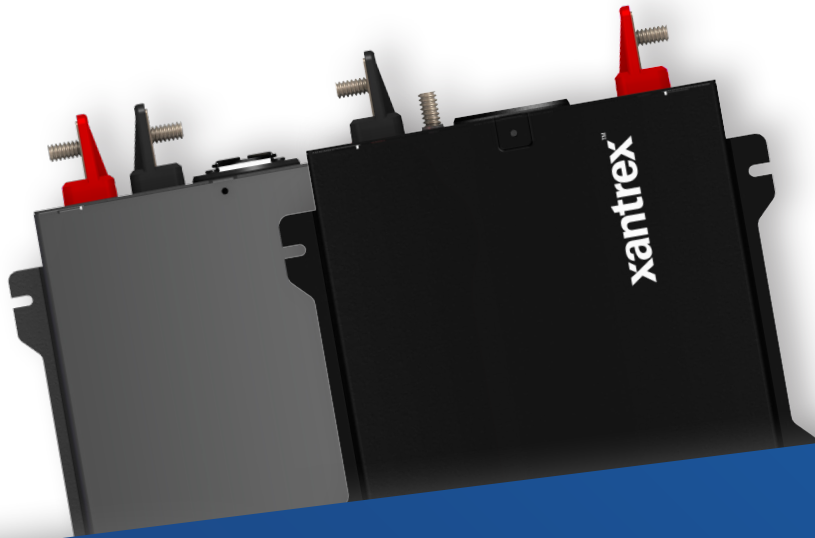


## PROwatt SW INVERTER DATASHEET



AVAILABLE IN:

12V  $\text{DC}$

600W

1000W

2000W

## TRUE SINE AC POWER IN A COMPACT AND AFFORDABLE PACKAGE

These low profile true sine wave inverters pack big power in a small package, and add a great price. Great with a solar system.

Perfect for installation in your travel trailer, tent trailer or coach, these units are great for CPAP machines, electronics, entertainment systems and many other loads. Use the optional transfer switch or remote control switch to customize your installation!



Exceptional full rated performance in all climate temperatures



True sine wave output for sensitive and motor loads



Ignition control feature turns inverter on/off via 12 Vdc signal

### APPLICATIONS:



ETL listed to CSA Standard C22.2 No. 107.1 and UL 458\* with Marine supplement

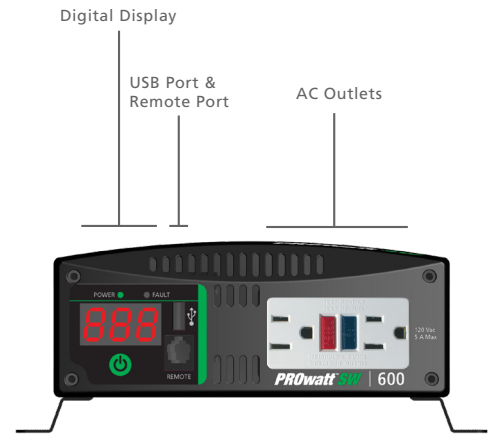
\*For marine supplement compliance drip shield in specific mounting orientation is required. See installation guide.

**2 YEAR WARRANTY**

[www.xantrex.com](http://www.xantrex.com)  
CUSTOMER CARE: 1.800.670.0707



TOP VIEW



SIDE VIEW

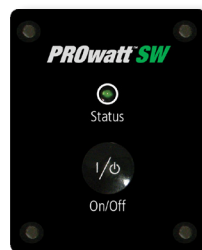
## INVERTER FEATURES

- Digital display of output power and DC volts
- Built-in USB port to power USB-powered devices
- Optional on/off Remote Control Panel
- Automatic AC transfer function and hardwire through the optional Transfer Switch
- Senses when outside AC Power is present and transfers the load from the inverter to the source of incoming power
- Heavy duty terminals for trouble-free battery connection

## PROTECTION FEATURES

- Low voltage shutdown (10.0 VDC)
- Low voltage alarm (10.7 VDC)
- Over voltage protection (15.0 VDC)
- Overload shutdown
- Over temperature shutdown
- GFCI protection (PROwatt SW 600, 1000, 2000)

## PROwatt SW ACCESSORIES



PROwatt SW Remote On/Off Switch  
(808-9001)



PROwatt SW 15 A Transfer Relay  
(808-0915)

## ELECTRICAL SPECS - INVERTER

|                         | PROwatt SW 600   | PROwatt SW 1000  | PROwatt SW 2000  |
|-------------------------|------------------|------------------|------------------|
| Continuous Power        | 540 W            | 900 W            | 1800 W           |
| Surge Capacity (peak)   | 1200 W           | 2000 W           | 3000 W           |
| DC Input                | 12 VDC (nominal) | 12 VDC (nominal) | 12 VDC (nominal) |
| AC Output Frequency     | 60 ± 0.5 Hz      | 60 ± 0.5 Hz      | 60 ± 0.5 Hz      |
| AC Output Voltage Range | 104–127 Vac      | 104–127 Vac      | 104–127 Vac      |
| USB Output              | 5 V / 500 mA     | 5 V / 500 mA     | 5 V / 500 mA     |
| Output Waveform         | True Sine Wave   | True Sine Wave   | True Sine Wave   |
| Optimum Efficiency      | 90%              | 90%              | 90%              |
| No Load Current Draw    | < 0.6 A          | < 0.6 A          | < 0.6 A          |
| Input Voltage Range     | 10.5–15.5 VDC    | 10.5–15.5 VDC    | 10.5–15.5 VDC    |

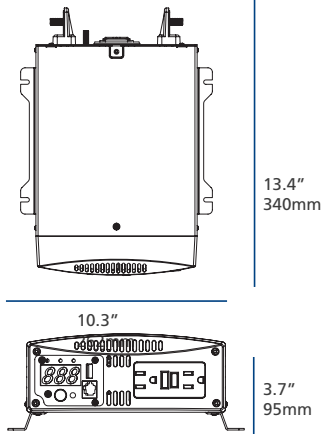
## GENERAL SPECS

|                             | PROwatt SW 600                             | PROwatt SW 1000                            | PROwatt SW 2000                            |
|-----------------------------|--|--|--|
| Operating Temperature Range | 32°F–104°F (0°C–40°C)                      | 32°F–104°F (0°C–40°C)                      | 32°F–104°F (0°C–40°C)                      |
| AC Receptacle               | Dual GFCI                                  | Dual GFCI                                  | Dual GFCI                                  |
| USB Receptacle              | Single port (Type A)                       | Single port (Type A)                       | Single port (Type A)                       |
| DC Connection               | Hardwire                                   | Hardwire                                   | Hardwire                                   |
| Recommended DC Fuse         | 150 A                                      | 150 A                                      | 250 A                                      |
| Digital Display             | DC Voltage AC output power and error codes | DC Voltage AC output power and error codes | DC Voltage AC output power and error codes |
| Part Number                 | 806-1206                                   | 806-1210                                   | 806-1220                                   |
| L x W x H (without flanges) | 3.5 x 8.7 x 12.2"<br>(89 x 220 x 310 mm)   | 3.5 x 8.7 x 13.4"<br>(89 x 220 x 339 mm)   | 3.9 x 11.8 x 13.7"<br>(100 x 299 x 348 mm) |
| Net Weight                  | 6.5 lb (3.0 kg)                            | 7.2 lb (3.3 kg)                            | 10.7 lb (4.9 kg)                           |

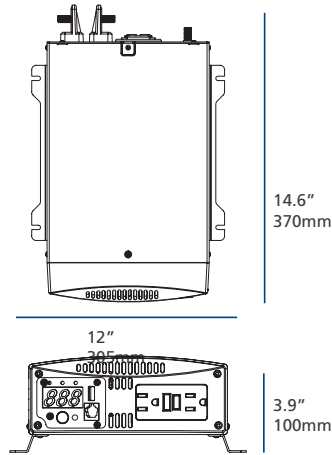
## REGULATORY APPROVALS

|        | PROwatt SW 600, 1000, 2000  |
|--------|---|
| Safety | UL458 with marine supplement 01 (R2006) - General Use Power Supplies. CSA 107.1 |
| EMC    | FCC Part 15, Class A  |

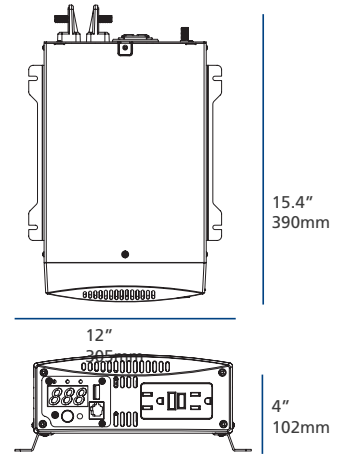
**PROwatt SW 600 DIMENSIONS**



**PROwatt SW 1000 DIMENSIONS**



**PROwatt SW 2000 DIMENSIONS**



**ACCESSORIES**

| Mfg Part # | Description                         |
|------------|-------------------------------------|
| 808-9001   | Remote panel with 25' remote cable  |
| 31-6262-00 | 50' remote cable                    |
| 808-0915   | Automatic Remote AC Transfer Switch |

**CONTACT**

**CUSTOMER SERVICE**

1.800.670.0707  
 customerservice@xantrex.com  
 Hours of operation:  
 6:30am - 4:30pm PST, Monday to Friday

 [facebook.com/Xantrex](https://facebook.com/Xantrex)

 @Xantrex

 [youtube.com/XantrexTechnology](https://youtube.com/XantrexTechnology)

**LEARN MORE ON:**

[www.xantrex.com](http://www.xantrex.com)