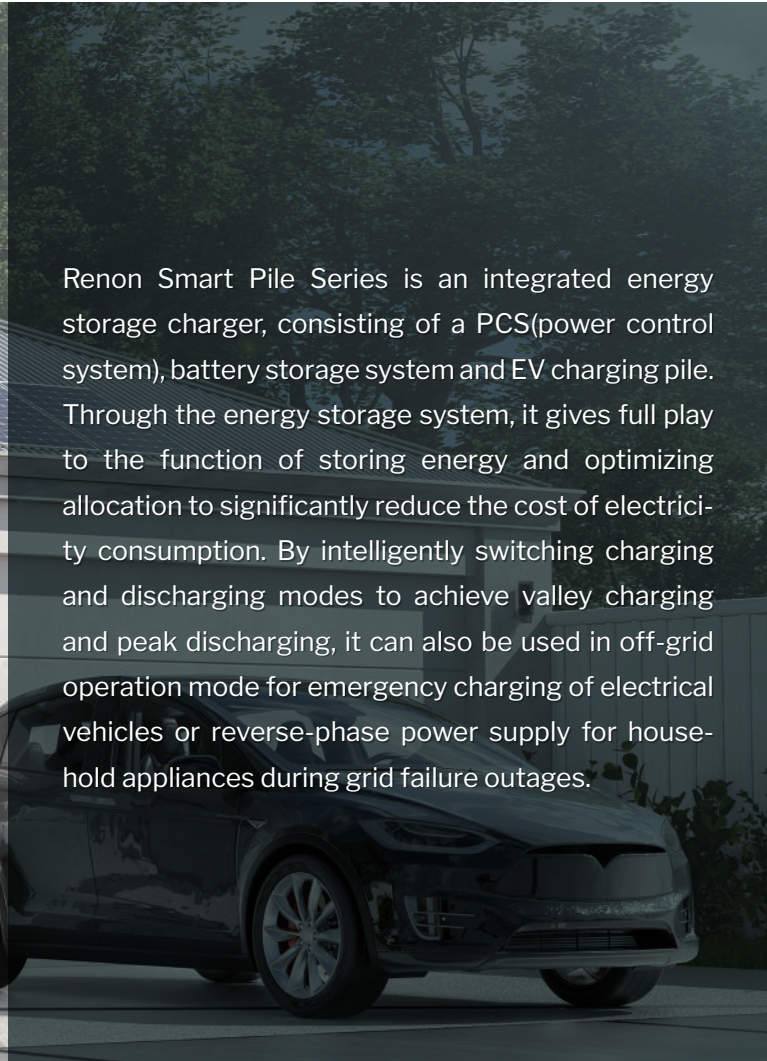


HV INTEGRATED

SmartPile

STORAGE & CHARGING ENERGY SYSTEM



Renon Smart Pile Series is an integrated energy storage charger, consisting of a PCS(power control system), battery storage system and EV charging pile. Through the energy storage system, it gives full play to the function of storing energy and optimizing allocation to significantly reduce the cost of electricity consumption. By intelligently switching charging and discharging modes to achieve valley charging and peak discharging, it can also be used in off-grid operation mode for emergency charging of electrical vehicles or reverse-phase power supply for household appliances during grid failure outages.



Integrated battery, inverter, EV charging cables, and system controller, more compact structure, higher power density, easy product installation.



Complete application modes, including self-powered, time-based power control, and backup power mode.



IP55 protection level, smart controlling of operating temperature so that can adapt to the harsh environment.



Three-layer energy management system, strong protection, high reliability and long cycle life.

Battery

Single Cell Type	LFP 3.2V / 100Ah
Combination	1P80S
Usable Energy (kWh)	25.6
Nominal Voltage (V)	256
Voltage Range (Vdc)	216-292
Max. Operating Current (A)	95
Cycle Life (times)	≥8000

AC Input/Output

Input/Output Voltage (Vac)	3 phase 208
Input/Output Power (kW)	11
Current (A)	31
Frequency (Hz)	60
Efficiency (Max.)	≥96.5%
THDi	<5%

Charging Gun Parameters

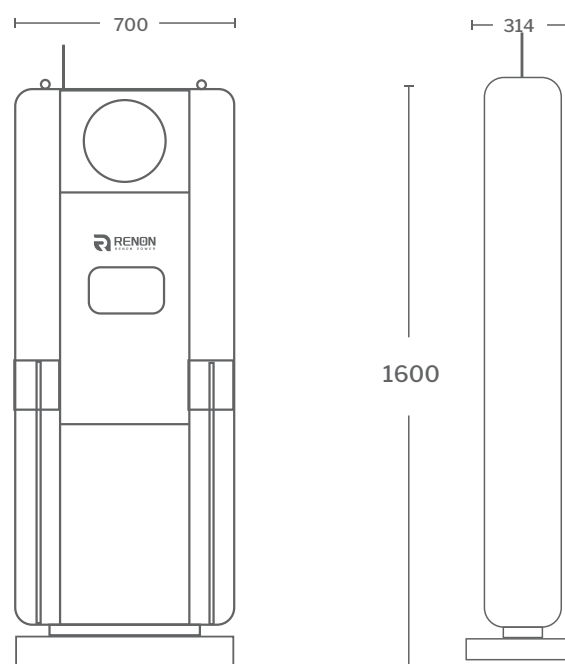
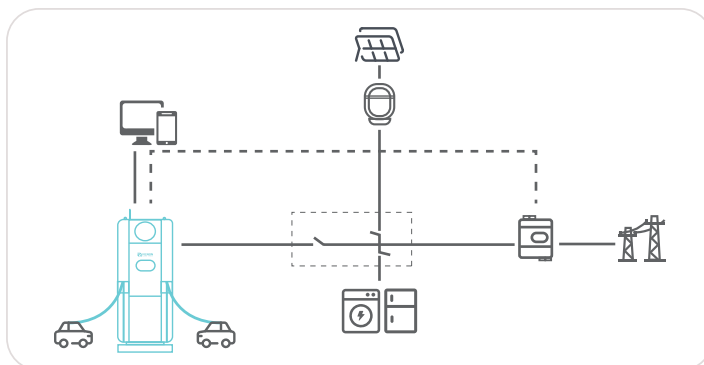
Grid-connected charging current(A)	32 / gun
Off-grid charging current(A)	26 / gun
Quantity	2

System Characteristic

Certifications	UL9540 / UL9540A / UL2202 / UL1741 / UL1973 / IEC62619 / FCC / UN38.3
Communication	CAN, RS485, Wi-Fi
Warranty ^[1]	≥10 years

[1] Please refer to the warranty manual for details

System Layout



General Parameters

Dimensions (W*D*H)	700*314*1600 mm 27.6*12.4*63 in
Operating Temperature	-20°C to 50°C (-4°F to 122°F)
Recommended Temperature	0°C to 30°C (32°F to 86°F)
Storage Conditions	-20°C to 55°C / -4°F to 131°F (0°C to 35°C/32°F to 95°F Recommended) Up to 90%RH, non-condensing Initial SoC: 50%
Operating Humidity (RH)	Up to 100%, non-condensing
Max. Elevation	3000m (9843 ft)
Enclosure	IP55
Installation Scene	Indoor and Outdoor
Noise Level @1m	<65 dB(A)