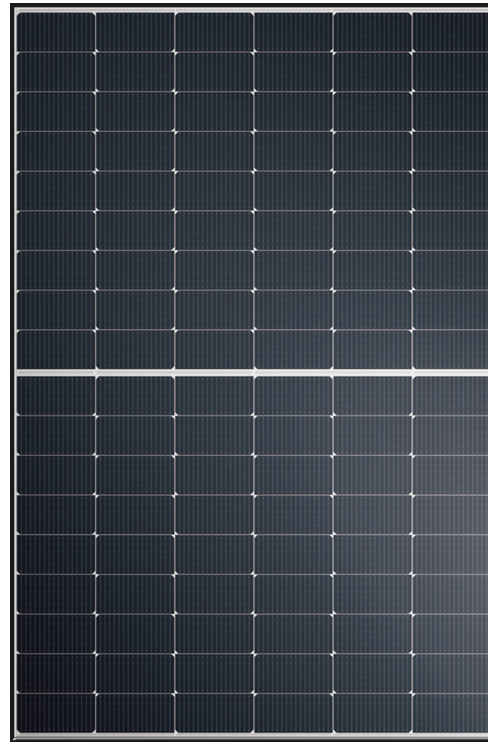


JUSTSOLAR TOPCON MONO BLACK FRAME MODULE

JST-EFMH-(415-435)W-TD



High conversion efficiency
High module efficiency to guarantee power output.



Self-cleaning glass
Coating glass for self-cleaning, reduce surface dust.



Outstanding low irradiation performance
Excellent module efficiency even in the weak light conditions, such as morning or cloudy.



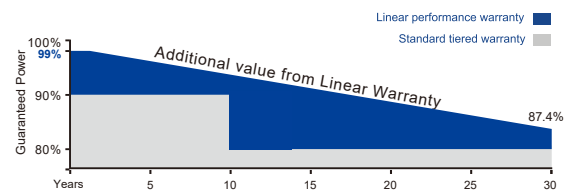
Excellent loading capability
2400Pa wind loads, 5400Pa snow loads.



0 to +5W positive tolerance
Detailed information in Electrical Specifications.



48-hour response service



30

30-year performance warranty

12

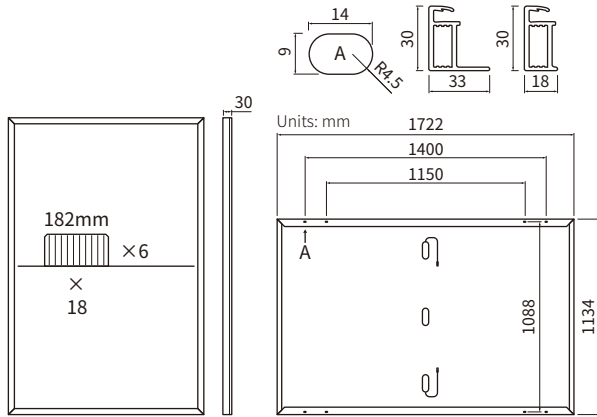
12-year warranty on materials and workmanship

IEC 61215 Ed.2
IEC 61730
UL 1703



JUST Solar

JST-EFMH-(415-435)W-TD



Mechanical Parameters

Cell type	Mono TOPCon
No. of cells	108 (6*18)
Junction box	IP68, 3 diodes
Cable	4mm ² ; 300mm(+)/400mm(-) or customized
Glass	Single glass, 3.2mm
Frame	Anodized aluminum alloy frame
Weight	21.4kg±3%
Dimensions	1722mm x 1134mm x 30mm
Packaging	36 pcs/pallet, 936 pcs/40HQ container

Electrical Parameters

STC: AM1.5 1000W/m² 25°C NOCT: AM1.5 800W/m² 20°C 1m/s

Module type (JST-M10-M-54-MH-***W)	415		420		425		430		435	
	STC	NOCT	STC	NOCT	STC	NOCT	STC	NOCT	STC	NOCT
Rated maximum power Pmax (W)	415	312	420	316	425	320	430	324	435	328
Open circuit voltage Voc (V)	38.00	36.04	38.19	36.22	38.38	36.40	38.57	36.58	38.75	36.78
Short circuit current Isc (A)	13.96	11.30	14.04	11.38	14.12	11.44	14.20	11.51	14.27	11.58
Maximum power voltage Vmp (V)	31.37	29.19	31.56	29.35	31.74	29.53	31.93	29.67	32.13	29.84
Maximum power current Imp (A)	13.23	10.69	13.31	10.77	13.39	10.84	13.47	10.92	13.54	10.99
Module efficiency (%)	21.3		21.5		21.8		22.0		22.3	

Temperature Coefficients

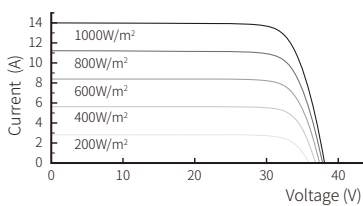
Temperature coefficient α_{Isc}	+0.046%/°C
Temperature coefficient β_{Voc}	-0.250%/°C
Temperature coefficient γ_{Pmax}	-0.300%/°C

Operating Conditions

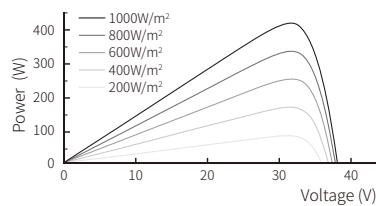
Operating temperature	-40°C~+70°C	Nominal operating cell temperature	45±2°C
Pmax, Voc, Isc tolerance	±3%	Front side Max. static test loading	5400 Pa
Power selection	0~+5W	Rear side Max. static test loading	2400 Pa
Maximum system voltage	1500V DC		
Maximum series fuse rating	25A		

Graphs (420W)

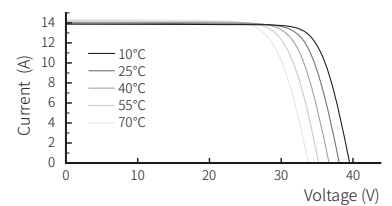
Current - Voltage Curve



Power - Voltage Curve



Current - Voltage Curve



Note: the specifications are obtained under the Standard Test Conditions (STCs): 1000W/m² solar irradiance, 1.5 Air Mass, and cell temperature of 25°C. The NOCT is obtained under the Test Conditions: 800W/m², 20°C ambient temperature, 1m/s wind speed, AM 1.5 spectrum.

Please contact support@jusolar.com for technical support. The actual transactions will be subject to the contracts. This parameters is for reference only and it is not a part of the contracts. The specifications are subject to change without prior notice.