

**Mono Perc**  
**395-415 W**



M10/182mm Cell.108 Half-Cell Layout

- 

**Higher Efficiency**  
The highest efficiency of the series is up to 21.3%
- 

**High Reliability**  
Superior craftsmanship, engineering excellence, and attention to the finest detail ensure longevity and optimal performance.
- 

**High Return on Investment**  
0.45% annual degradation, 25 year linear warranty, more output. Higher maximum system voltage reduces BOS costs.
- 

**Extremely Environmental Testing**  
Remain peak performance in extreme environments. Class A fireproofing rating.
- 

**Strength and Durability**  
Certified for 5400Pa snow and 3600Pa loads test. Passed hail test with 35mm hail stones at 97 km/h.
- 

**PID FREE**  
**PID Free**  
Certified for Anti-PID under 85 degrees Celsius, 85% RH for 288 hours.

**Quality System**

ISO 9001 / ISO14001

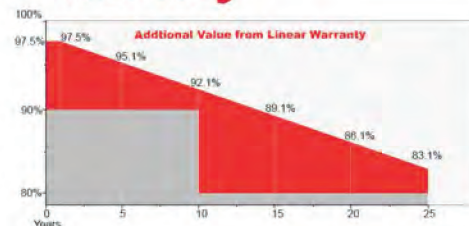
**Product Certification**



**Insurance**

**PICC**

**Warranty**



**10 YEARS** Guarantee on product material and workmanship

**25 YEARS** linear power output warranty



## Electrical Characteristics

Maximum Power at STC	Pmax	<b>415 W</b>
Open Circuit Voltage	Voc	<b>31.61 V</b>
Optimum Operating Voltage	Vmp	<b>13.13 V</b>
Short Circuit Current	Isc	<b>37.45 A</b>
Optimum Operating Current	Imp	<b>14.02 A</b>
Power Tolerance	%	<b>0 - 5</b>
Fuse Current		<b>25 A</b>
Efficiency	%	<b>21.25</b>

Operating Temperature

-40~+85 °C

Nominal Operating Cell Temperature

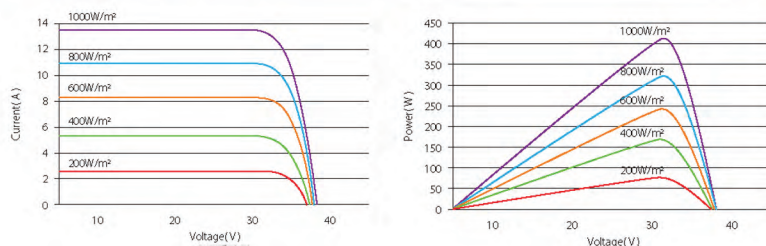
45 ± 2 °C

STC: Irradiance 1000 W/m<sup>2</sup> module temperature 25°C AM=1.5

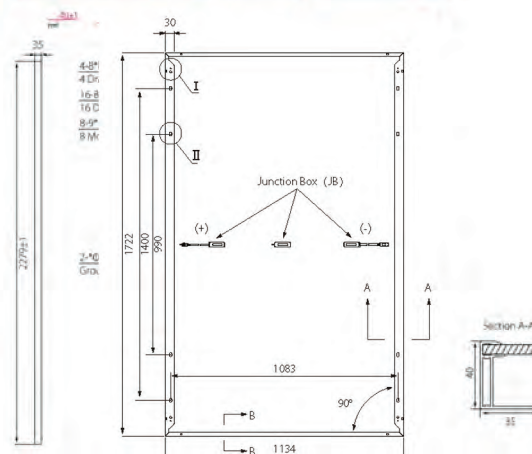
NOCT: Irradiance 800 W/m<sup>2</sup> ambient temperature 20°C wind speed 1m/s

Power measurement tolerance: +/-3%

## I - V Curve



## Technical Drawing



## Temperature Characteristics

Temperature (NOCT) [°C]	45±2
Temp. coefficient of Pmax [%/°C]	-0.350
Temp. coefficient of Voc [V/°C]	-0.270
Temp. coefficient of Isc [mA/°C]	0.048

## Mechanical Data

Dimension	1722x1134x30mm
Weight	21.5Kg
Solar cell	Mono-crystalline 182mm (2*54pcs)
Glass	3.2mm, Coated Tempered Glass
Frame	Silver Anodized Aluminium Alloy
Junction Box	IP 68, three diodes
Cable	4mm <sup>2</sup> , (-)900mm and (+)900mm
Connector	MC4 Compatible

## Warranty

- 12 years product warranty
- 12 years warranty on 90% power output
- 25 years warranty on 80% power output

