



German  
Solar  
Production



www.newtek-schmid.com  
sales@newtek-schmid.com

NEWTEK GRADE A series  
NEWTEK NTE 250/255/260-60P

# Polycrystalline Photovoltaic Module

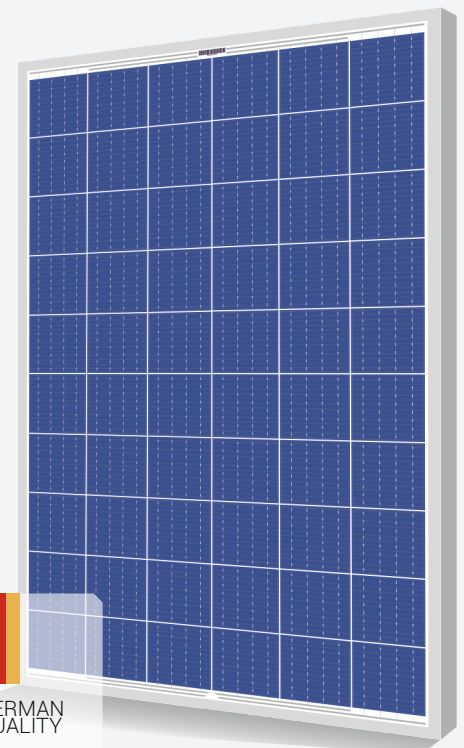
Premium Quality  
PV Solar Module

## Data sheet

NEWTEK NTE photovoltaic modules of **GRADE A** are manufactured using German technology with application of A grade 60 polycrystalline cells; the efficiency of cells starts from 18.1%. The output power of the module starts from 250W and up to 260W.

Combining cost-effective prices, aesthetic design, ease of installation and long life time (at least 25 years), our PV solar modules are the optimal solution for the construction of a large solar power plant and for autonomous or backup power systems for any suburban or a multi-storey house.

NEWTEK NTE PV solar modules are manufactured using German technology and equipment (SCHMID GROUP) in compliance with all standards.



10  
years

10 years manufacturer's warranty for materials and workmanship compliant to industrial standard

4BB

Greater number of bus-bars provide uniform heating  
Guarantee lower degradation of silicon cells

P-Max

High performance in low light is reached  
by unique technology and materials

Wp

Positive power tolerance from 0-5W  
Higher guaranteed yield

550 KG

Snow load up to 550 kg / m<sup>2</sup>  
Durable operating capacity in extreme conditions

100%

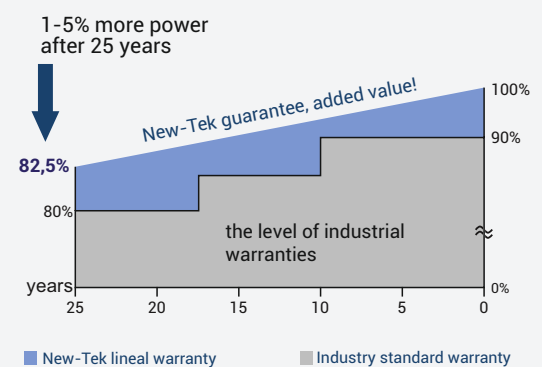
100% inspection of manufacturing at 3 stages  
and control over micro cracks on the cells

Soft Grip

New-Tek anodized aluminium frame to ensure  
higher durability and ease of installation

IP 65

High-quality Junction Box  
for a long service life of the PV module



10 YEARS PRODUCT · 25 YEARS POWER

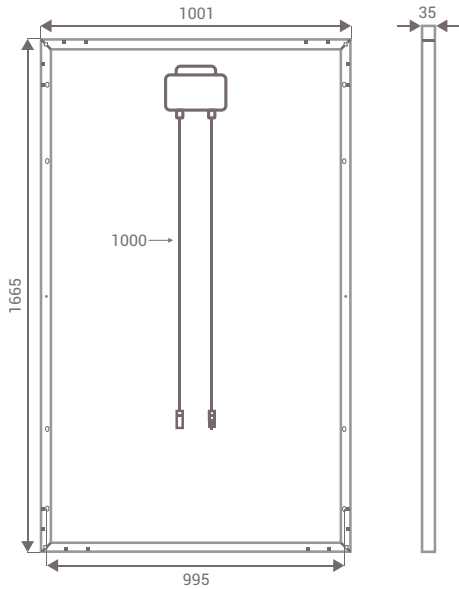
Designed in GE  
Produced in KG



# NTE 250/255/260-60P

POLYCRYSTALLINE PV MODULE

Poly-Series  
NEWTEK GRADE A



## GENERAL CHARACTERISTICS

Dimensions	1665x1001x35 mm
Weight	18,1 kg

## PACKAGING

Modules per Pallet	45
No pallets per track	15
Dimensions of Pallet (L/W/H)	1780x1100x1885 mm

The maximum capacity per 40' container are 784 pcs

## TEMPERATURE RATING

NOCT	46 ± 2° C
Coefficients of (Pmax)	-0.43 %/°C
Coefficients of (Voc)	-0.31 %/°C
Coefficients of (Isc)	+0.05 %/°C

## CERTIFICATIONS



IEC 61215 IEC 61730

IEC 61215, IEC 61730-1, IEC 61730-2, RST, EAC

## ELECTRICAL DATA

STC (test conditions)	NTE 250 60P	NTE 255 60P	NTE 260 60P
Maximum Power at STC (Pmax)	250 W	255 W	260 W
Optimum Operating Voltage (Vmp)	30,50 V	30,70 V	30,90 V
Optimum Operating Current (Imp)	8,20 A	8,30 A	8,40 A
Open Circuit Voltage (Voc)	37,80 V	38,10 V	38,40 V
Short Circuit Current (Isc)	8,70 A	8,80 A	8,90 A
Cell Efficiency	18,10 %	18,30 %	18,50 %

Electric characteristics at normal operation conditions (STC)  
STC Conditions: Irradiance: 1 000 W/m<sup>2</sup>, cell temperature: 25°C, AM=1.5

NOCT (test conditions)	NTE 250 60P	NTE 255 60P	NTE 260 60P
Maximum Power at STC (Pmax)	183 W	186 W	190 W
Optimum Operating Voltage (Vmp)	27,20 V	27,60 V	27,80 V
Optimum Operating Current (Imp)	6,60 A	6,70 A	6,80 A
Open Circuit Voltage (Voc)	34,80 V	34,90 V	35,00 V
Open Circuit Current (Isc)	7,10 A	7,20 A	7,30 A

Electric characteristics at normal operation conditions (NOCT)  
NOCT Conditions (46 ± 2° C): Irradiance: 800 W/m<sup>2</sup>, ambient temperature: 20°C, AM=1.5, wind speed: 1m/s

## OPERATIVE CONDITIONS

Power Tolerance	0/+5 W
Maximum System Voltage	1.000 V
Maximum Series Fuse Rating	15 A
Operating Temperature Range	-40° C to 85 °C
Maximum Static Load, Front (Snow)	5 400 Pa
Maximum Static Load, Back (Wind)	2 400 Pa
Fire Rating	Class A

## MECHANICAL CHARACTERISTICS

Solar Cells - GRADE A	Polycrystalline silicon cells 156x156 mm, 4BB
Cell Arrangement	60 cells in module
Front Cover	Low-iron tempered glass, 3.2 mm
Frame (wall thickness)	Anodize aluminum alloy (1,5 mm)
Encapsulant	Composite film (EVA+Backsheet)
Junction Box	IP65
Bypass Diodes	3
Cables (length/area)	1000 mm / 4 mm <sup>2</sup> , (IEC), 12 AWG (UL)
Connectors	MC4

**Caution:**  
To operate, install and manage New-Tek's modules, read the installation manual and use carefully.

**Observations:**  
This Datasheet is subject to change without notice due to continuous improvement of our products. You can find all records of the updates on our website [www.newtek-schmid.com](http://www.newtek-schmid.com) or by contacting one of our sales staff. All rights reserved ©NEWTEK ©

Authorized Partner:



January 2017 - NEWTEK®

**NEWTEK PV MODULES AND SOLAR SYSTEMS**  
303 Ch. Aitmatov street, 720045 Bishkek, Kyrgyz Republic  
Tel: (+996) 770 05 05 51  
office@newtek-schmid.com  
[www.newtek-schmid.com](http://www.newtek-schmid.com)

