

# EOP48P5500

## Off Grid Solar Inverter



### MPPT

Pure sine wave MPPT solar inverter  
BUILT-IN 100A MPPT solar charger



### Battery

Battery equalization function extend lifecycle  
Reserved com port (RS-485,CAN) for BMS



### Off-Grid

AG EOP series is suitable for off-grid applications.

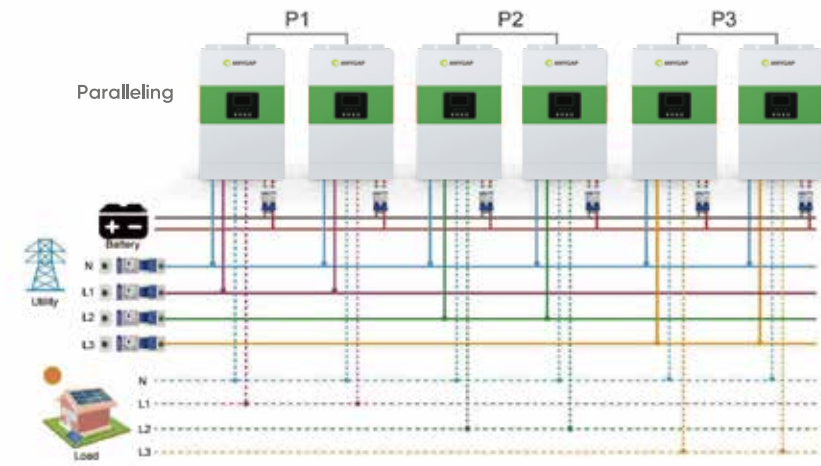
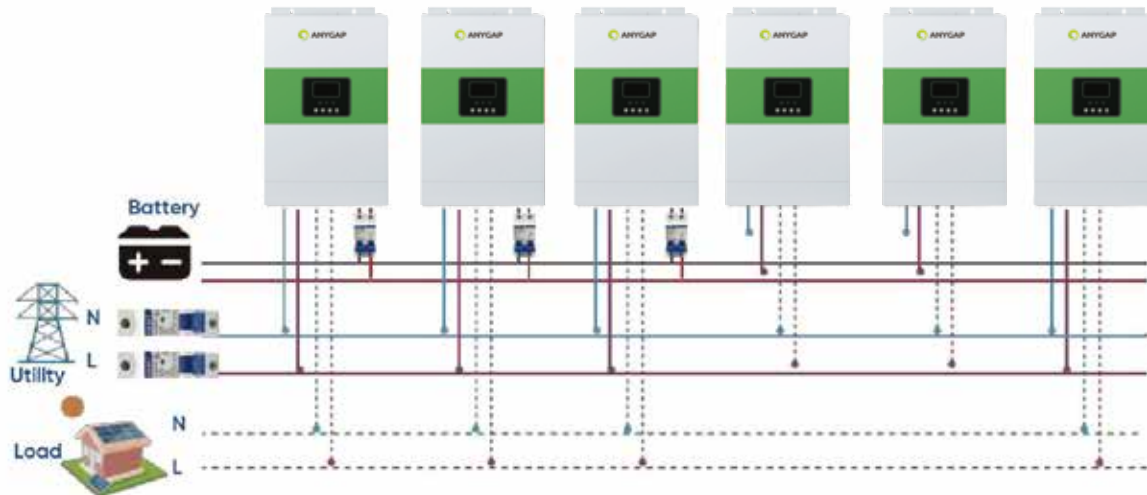


### Easy access

Equalization function



## Single phase output up to 33KW using 6 units



Model	EOP48P5500
Rated Power	5500VA/5500W
Paralleling function	Yes
INPUT	
Voltage	230VAC
Selectable Voltage Range	170~280V AC(For Personal Computers);90~280V AC(For Home Appliances)
Frequency Range	50Hz/60Hz(Auto Sensing)
OUTPUT	
AC Voltage Regulation	230V AC±5%
Surge Power	11KVA
Efficiency(Peak)	UP to 93.5%
Transfer Time	10ms(For Personal Computers);20ms(For Home Appliances)
Waveform	Pure Sine Wave
BATTERY	
Battery Voltage	48V DC
Floating Charge Voltage	54V DC
Overcharge Protection	63V DC
SOLAR CHARGER&AC CHARGER	
Max.PV Array Power	6000W
Max.PV Array Open Circuit Voltage	500V DC
MPPT Range&Operating Voltage	120~450V DC
Max.Solar Charge Current	100A
Max.AC Charge Current	60A
PHYSICAL	
Package size,D*W*H(mm)	110*302*490
Net Weight(kgs)	9.7
Communication Interface	RS232/RS485/Dry contact
ENVIRONMENT	
Humidity	5% to 95% Relative Humidity(Non-condensing)
Operating Temperature	-10°C to 50°C
Storage Temperature	-15°C to 60°C

Note:Product specifications are subject to change without further notice