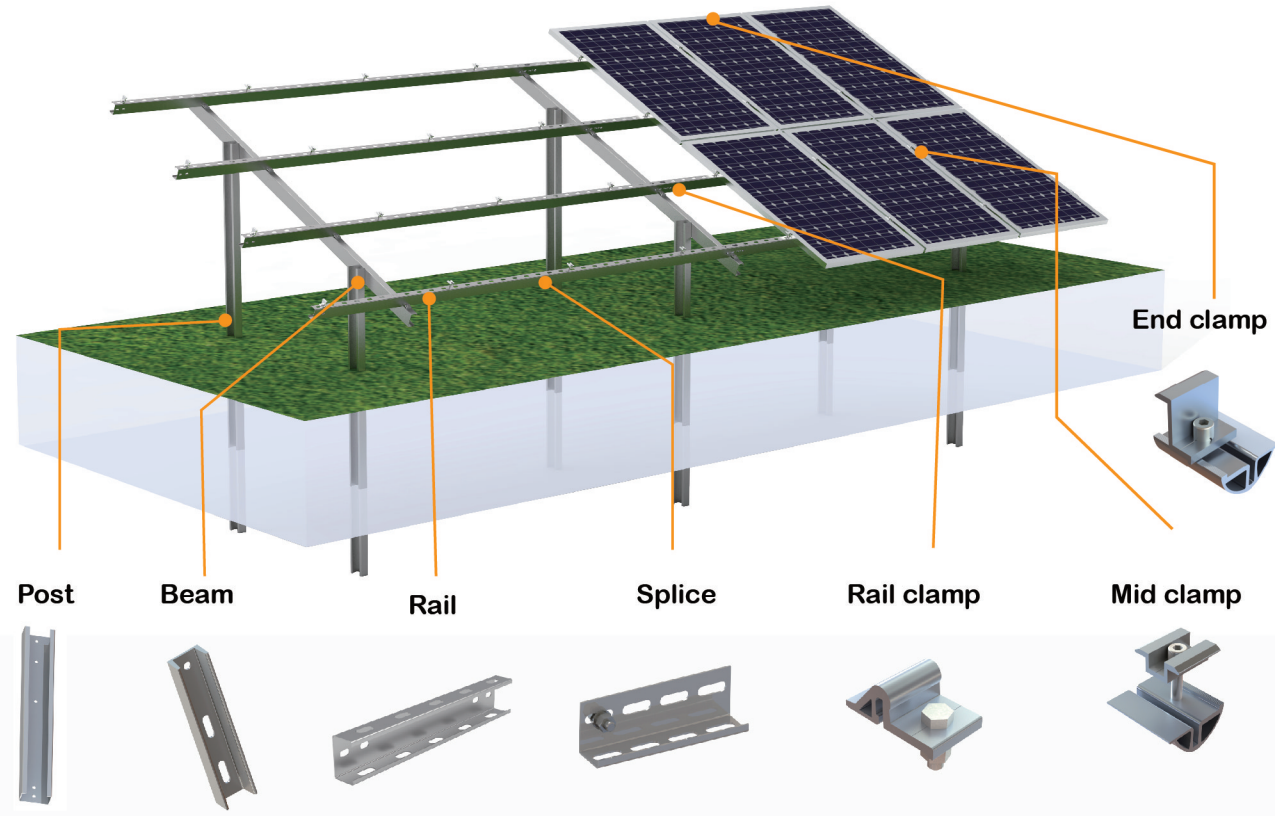
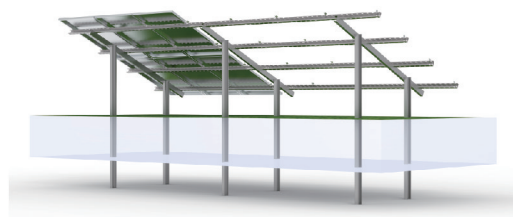


HQ-GT4



INTRODUCTION

HQ-GT4 is a double C post ground mounting solution.



Tilt angle	0-60°
Wind speed	0-80m/s
Snow load	0-150cm
Design standard	AS/NZS1170, JIS C 8955: 2011/2017, DIN1055
Material	Q235B,AL6005-T5&SS304
Installation site	Ground open field

ADVANTAGE



Cost effective 25 Years lifetime



Ramming foundation easy to install



Double post provide balance



Aluminum & Steel rail available

INSTALLATION



1 Pile test



2 Ramming pile installation



3 Install Beams



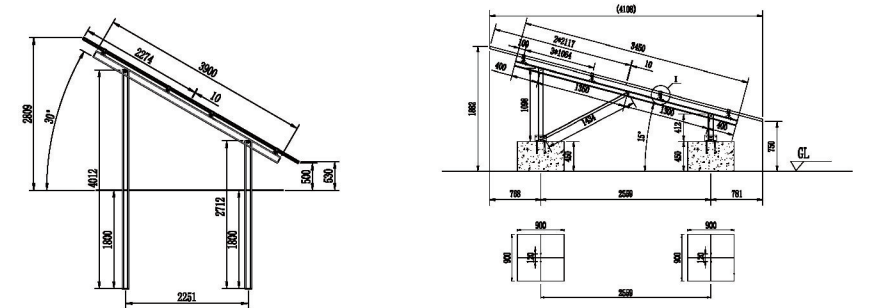
4 Install rails as drawing



5 Fixing solar panel with mounting clamps

DESIGN DRAWINGS

1. Ramming solution drawing
2. Concrete base drawing



PROJECT CASE

