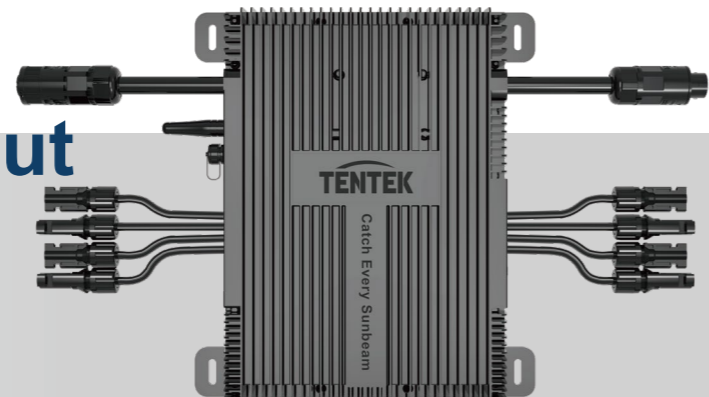


Microinverters

Tiger Series 4PV input

- Tiger-1.6KW4E1P
- Tiger-1.8KW4E1P
- Tiger-2KW4E1P

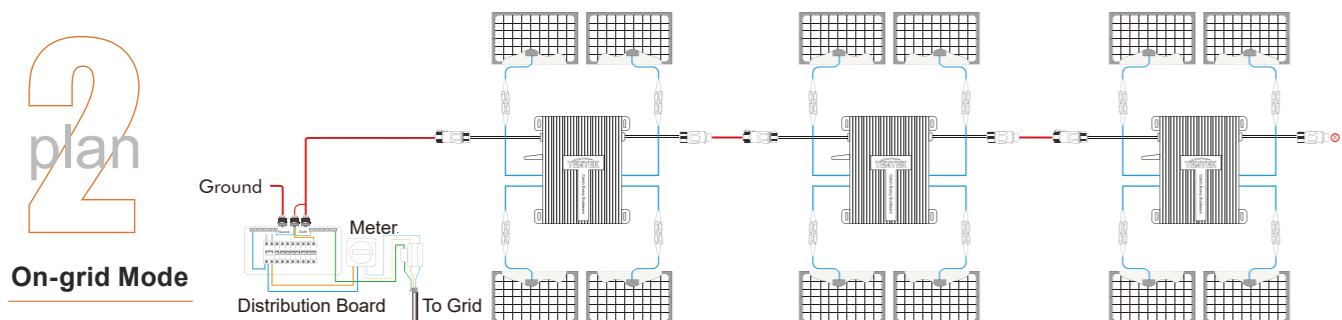
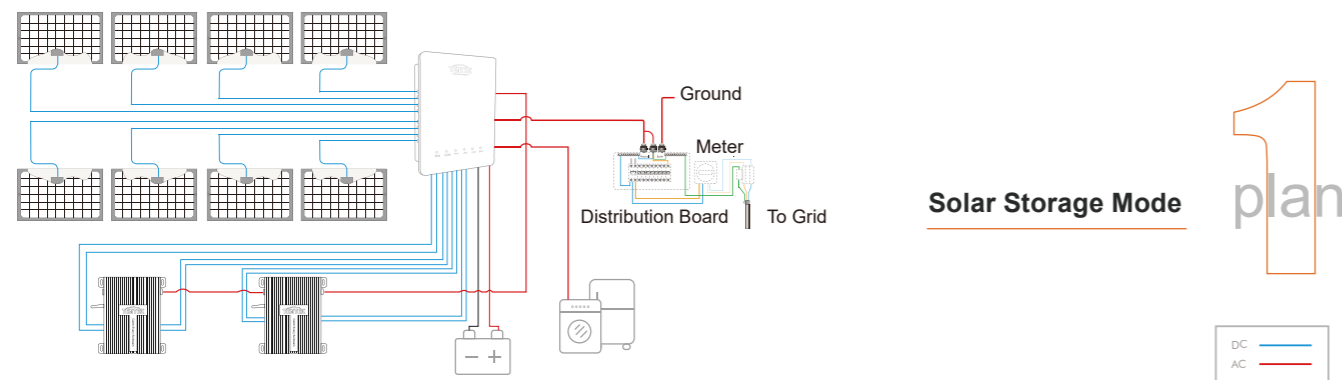


► Description:

TENTEK Tiger series microinverters are on/off grid inverters, which work with our Tribune-EMS series controller to magically create a residential solar storage system that will support battery mode operation without main power. In addition, four independent MPPT inputs ensure the maximum output of each solar panel. Since the 25-year lifespan of microinverter is designed to be the same as the solar panel, customers do not need to be worried about the hassle of replacing the inverter after a few years.

► Features:

- Solar panels output voltage <60VDC, which decreases the risk of an electrical fire.
- One panel would match one MPPT, increasing 5-15% power in production compared to string inverters.
- Keeping each panel to work individually avoids the impact of partial shadows on the entire solar system.
- Independently tracking each of the solar panels' production makes it easy to identify each solar panel's performance.
- Flexible application allows it to switch to off-grid mode to supply AC power to home devices.
- Lightweight and compact with plug-and-play connectors, it is easy to install.
- Monitor the running station anytime, anywhere using the app.



Model	Tiger-1.6KW4E1P	Tiger-1.8KW4E1P	Tiger-2KW4E1P
PV Input Data			
Number of MPPT Trackers		4	
Suggested Modules Range	400W~500W	450W~550W	500W~600W
Max. Input DC Voltage		60V	
MPPT Operating Voltage Range		25~50V	
Startup Voltage		20V	
Over Voltage Class DC Port		II	
DC Port Backfeed Current		0 A	
Max. Input Current		4 × 18 A	
PV Array Requirement	4x1 Ungrounded array; No Additional PV Side Protection Required		
AC Output Data			
Peak Output Power	4800W	5400W	6000W
Max. Continuous Output Power	1600W	1800W	2000W
Max. Continuous Output Current	6.95A (13.3A@120V)	7.83A (11.5A@120V)	8.7A (16.7A@120V)
Nominal Output Voltage	220/230Vac(187-278Vac) / 120V(60-144Vac)		
Nominal Frequency/Range	50HZ/60HZ		
Extended Frequency/Range	45~55Hz / 55~65Hz		
AC Short Circuit Current	14A (22A@120V)		
Max. Units Per Branch Circuit	3 PCS		
Overvoltage Class AC Port	III		
Power Factor(Adjustable)	>0.99 Default, 0.8 Leading...0.8 Lagging...		
Level of Harmonics Distortion	<3%		
AC Protection Required	AC Output Side Need 63A Circuit Breaker(on grid mode)		
Efficiency			
CEC Weighted Efficiency	95%		
Peak Inverter Efficiency	95.50%		
Static MPPT Efficiency	99%		
Night Time Power Consumption	< 50mW		
Mechanical Data			
Operating Ambient Temperature Range	-40 °C to +65 °C(-40 °F to +149 ° F)		
Storage Ambient Temperature	-40 °C to +85 °C(-40 °F to +185° F)		
Relative Humidity Range	4% to 100% (condensing)		
Connector Type: DC	MC4		
Dimensions(W*H*D)	270*300*45mm		
Weight	6.3 KG		
Cooling	Natural Convection-No Fans		
Approved for Wet Locations	Yes		
Enclosure Rating	IP67		
AC Cable Length(Customizable)	Standard 2.4m(Customized Available)		
Features			
Communication	WIFI		
Monitoring	Support Remote Web Page Monitoring and Mobile APP by TENTEK Cloud		
Compliance	Inmetro, UL1741, VDE4105, VDE0126, CE,EN50549...		

- Support off-grid operation and battery mode operation without mains power