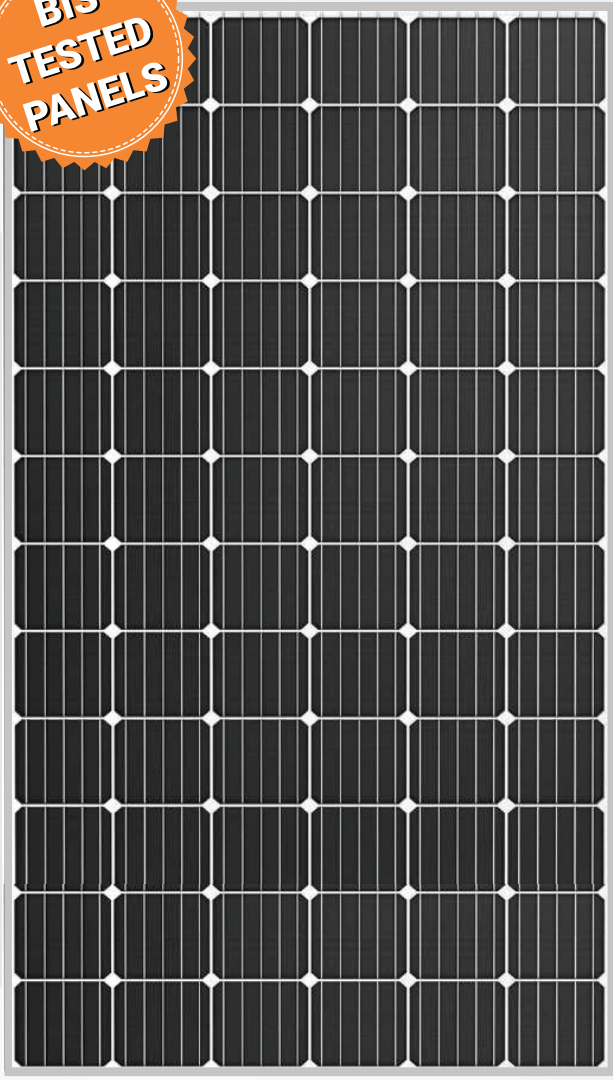


72 Cells Mono

340-380W (5BB)



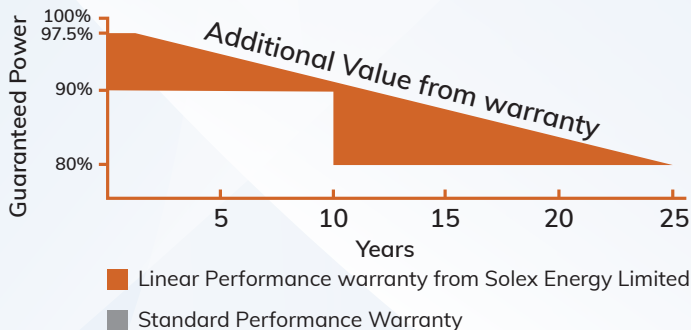
BIS TESTED PANELS



OUR FEATURES

- High Module efficiency through superior manufacturing technology
- No power loss due to improved temperature co-efficient
- Positive Power Tolerance 0+3W
- PID Resistant with long term reliability
- Strictly control the micro-crack of solar cells and the other non visible defect of internal modules
- Module can bear snow loads upto 5400Pa and wind loads upto 2400Pa
- Manufactured according to International Quality & Environment Management System
- Salt mist, Ammonia and Hail Resistant
- IP 67 rated Mc4 compatible connectors
- Using advanced low reflection and high light transmissions glass and cell sheet surface cutting technology, in the weak lightenvironment can also play a good performance

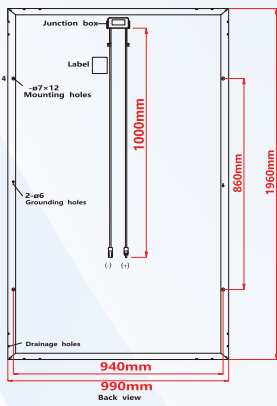
10 YEAR PRODUCT WARRANTY
25 YEAR POWER WARRANTY



*Design and Specifications are subject to change without notice.

OUR CERTIFICATES

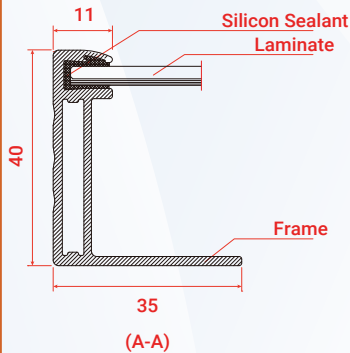




Electrical Characteristics STC*

MODEL NO	SESM 24340	SESM 24345	SESM 24350	SESM 24355	SESM 24360	SESM 24365	SESM 24370	SESM 24375	SESM 24380
Rated Power (Pmax)	340 W	345 W	350 W	355 W	360 W	365 W	370 W	375 W	380 W
Voltage at Pmax (Vmp)	38.30 V	38.35 V	38.65 V	38.85 V	39.25 V	39.75 V	40.15 V	40.35 V	40.50 V
Current at Pmax (Imp)	8.90	9.00	9.05A	9.15 A	9.18 A	9.20 A	9.23 A	9.30 A	9.35 A
Warranted Minimum Pmax	340 W	345 W	350 W	355 W	360 W	365 W	370 W	375 W	380 W
Short-Circuit Current (Isc)	9.35 A	9.49 A	9.65 A	9.70 A	9.75 A	9.77 A	9.80 A	9.90 A	9.95A
Open-Circuit Voltage (Voc)	46.75 V	46.90 V	47.15 V	47.25 V	47.60 V	47.80 V	47.90 V	48.00 V	48.25 V
Module Efficiency	17.60 %	17.92 %	18.18 %	18.44 %	18.69 %	18.95 %	19.21 %	19.33%	19.58%
Operating Module Temperature	-45°C ~+85°C								
Maximum System Voltage	1000V								
Maximum Series Fuse Rating	15A								
Maximum Reverse Current	20A								
Power Tolerance	0 ~ +3W								

STC(Irradiance 1,000W/m², module temperature 25°C, AM=1.5)



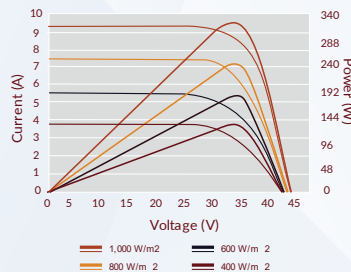
Mechanical Characteristics

Cell Type	Monocrystalline Size 156.75x156.75mm
Number of Cells	72(6x12)
Dimensions	1960x990x40mm
Weight	22kg
Front Cover	Tempered Glass with Anti Reflective Coating
Frame Material	Anodized Aluminium Alloy
Standard Packaing (Modules per Pallet)	26pcs

Maximum Ratings

Operating Temperature range	-45°C ~+85°C
Maximum system Voltage	1000V
Max series fuse rating	15A
Max front load (e.g.: snow)	5400Pa
Max back load (e.g.: wind)	2400Pa

I-V Curves at Different Irradiances (340W)
Test Temperature: 25°C



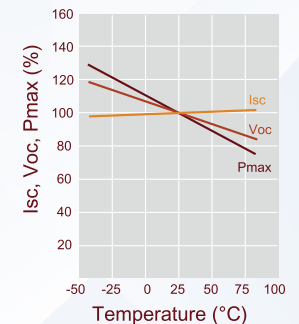
Temperature Characteristics

Nominal Operating Cell Temperature	45±2°C
Temperature Coefficient of Pmax	-0.42%/°C
Temperature Coefficient of Voc	-0.30%/°C
Temperature Coefficient of Isc	0.06%/°C

Comprehensive Products And System Certificates

- IEC 61215 / IEC 61730-1&2 / IEC 62804 / UL 1703
- ISO 9001: Quality Management System
- ISO 14001: Environmental Management System
- ISO14064: Greenhouse gases Emissions Verification
- OHSAS 18001: Occupation Health and Safety Management System

Irradiance: AM 1.5, 1,000W/m² (340W)



REG.OFFICE & WORKS
SOLEX ENERGY LIMITED

www.solex.in | sales@solex.in | solexin14@gmail.com
+91 2692 230317 | +91 93772 21443 | +91 2692 231216

PLOT NO -131 - A ,PHASE - 1, H.M. ROAD, GIDC,
VITHAL UDYOGNAGAR-388121, ANAND, GUJARAT, INDIA.