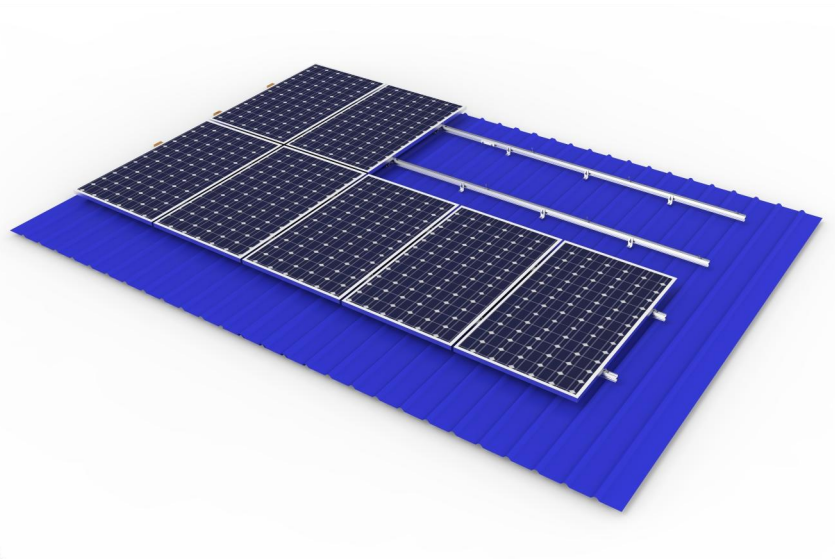


Product Introduction

Alvsolar L feet mounting system has great flexibility and extremely suitable for tin rooftop solar system both in commercial and residential house in frame or frameless solution. The innovative railway and D shape block designs have made the installation easier and faster.



2. Tin Roof L Feet Mount System

Parameter

Wind Load: 45M/S

Snow Load: : 0.8KN/M2

Span Range: 0.1-1.8M

Design Standard:AS/NZS1170, ASCE7-05, DIN1044,BSEN1990:2002,BSEN1991-1-3:2000,

BSEN199-1-4:2005

Installation Site: Metal Roof

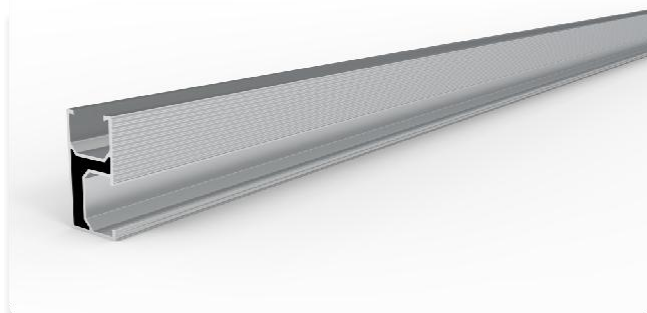
Main Material:AL6005-T5/SUS304

Fastener Material: :SUS304

PV Module:Framed/Unframed

Module Layout:According to requirements

Warranty:10 Years



Rail



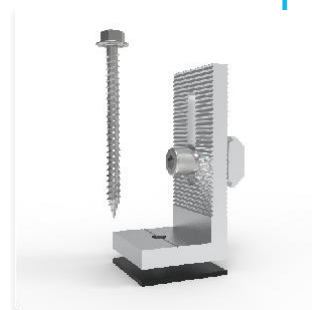
End Clamp



Mid Clamp



Rail Splicer



L Feet