

MAGIC SERIES

-BASE STATIONS OF ENERGY STORAGE

# Estone C Series

SMALL IN SIZE

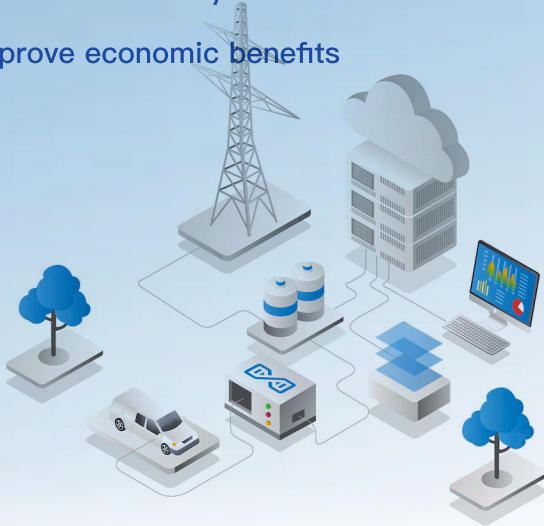
BUT PROVIDING MORE ENERGY

Fundamentally improve energy efficiency

Dramatically lower user-side system cost

Significantly reduce the energy consumption of the user-end system

Improve economic benefits



## PRODUCT FEATURES



Intelligent  
Strategies



Ground-breaking  
Safety



Flexible Parallel  
Connection



Economical and  
Efficient



Environment Friendly

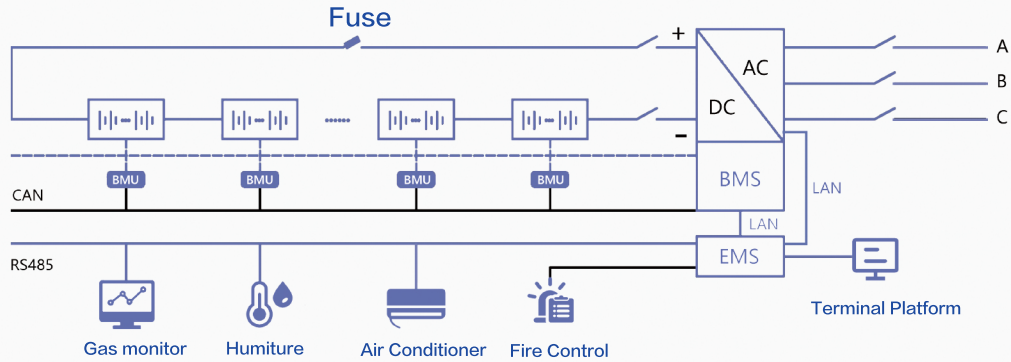


Super Long Life  
Expectancy

# Estone C Series

## TECHNICAL SPECIFICATION

### TOPOLOGIC GRAPH OF CONTROLS



### MODEL

E-STONE C200

### DC Data

Battery cell model	LFP280AH		
Battery pack config	14.336KWH/1P16S		
Battery system config	200KWH/1P224S		
Rated voltage	716.8		
Battery voltage range	627~806V		
Number of temperature checks	112		

### AC Data

Rated AC output power	58KW@0.3C	86KW@0.5C	67KW@0.3C	100KW@0.5C
Rated AC output voltage	400 ± 15%			
Rated output frequency	50HZ			
Output frequency range	± 2.5HZ			
Power factor	-1~1 adjustable			
Total harmonic distortion of current (THDI)	3%			

### Environment Data

Ingress protection	Smart Safety Box、IP55		
Cooling	Air cooling		
Operating temperature	-35~55℃		
Relative humidity	5%~95% non-condensing		
Operating altitude	≤2000m		
Communication	LAN RS485 CAN		
Display	LCD touch-screen		

### Structure Data

Dimension W*D*H(mm)	1200*1060*2200	1230*1060*2400
Weight (KG)	1800KG	2000KG
Fire Extinguishing System	Perfluorohexanone immersion	Perfluorohexanone immersion