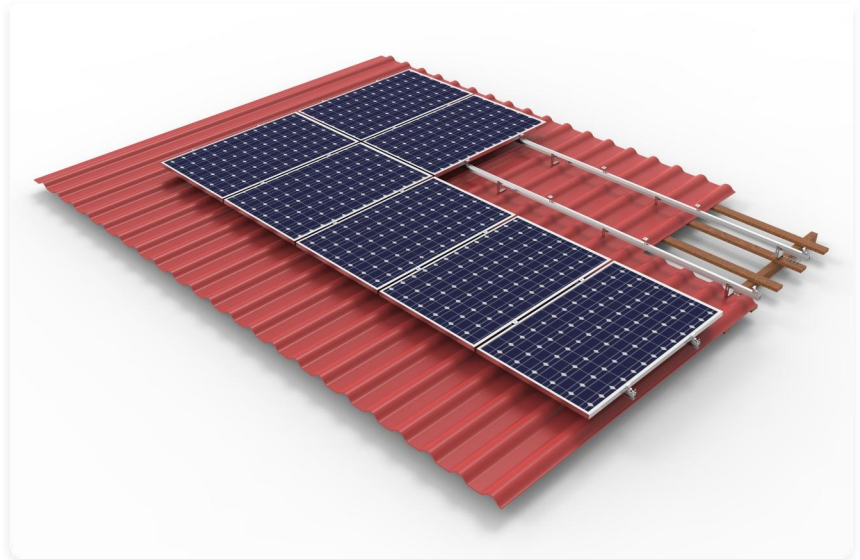




Solar Roof Mount System

Tile roof mount system design has great flexibility, it is applied for framed and frameless modules flushed to pitched roof system . Highly pre-assembled and customized solutions can save your installation time and costs.



1.Tile Roof Hook Mount System

Parameter

Wind Load: 45M/S

Snow Load: : 0.8KN/M2

Span Range: 0.1-1.8M

Design Standard:AS/NZS1170, ASCE7-05, DIN1044,BSEN1990:2002,BSEN1991-1-3:2000,BSEN199-1-4:2005

Installation Site:Tile Roof

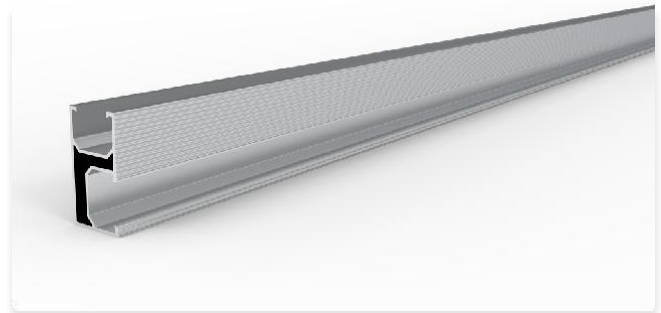
Main Material:AL6005-T5/SUS304

Fastener Material: :SUS304

PV Module:Framed/Unframed

Module Layout:According to requirements

Warranty:10 Years



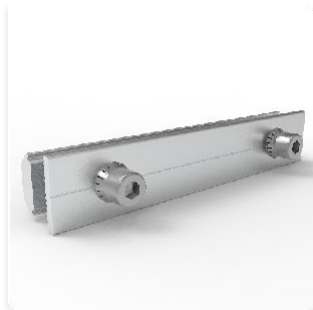
Rail



End Clamp



Mid Clamp



Rail Splicer



Hook