



HLS-Nano-S/

Rated Power 5000 W

Battery Capacity 5.12-30.72kWh



Flexible stack

Free choice of
battery capacity



Security

Stable voltage
Short circuit
protection design



Smart design

7×24 hours remote
operation and
maintenance
Failure prediction



Easy to install

All-In-One design
eliminates
installation troubles

HLS-Nano-S/

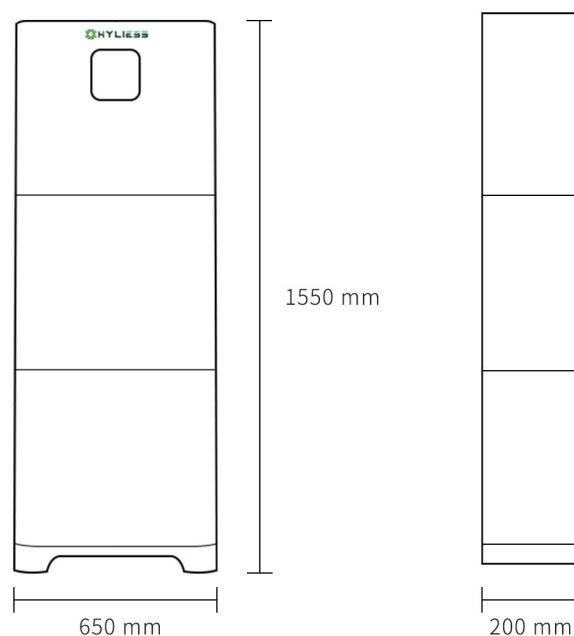
System Specification

System type	Off-grid
Rated output power	5000W
Single storage capacity	5.12kWh
Storage capacity range	5.12~30.72kWh
Max. input voltage	500V
MPPT operating voltage range	120~450V
Max. input current	22A
Rated battery voltage	51.2V
Battery voltage range	43.2V-58.4V
Max.charging/discharging current	100A
Rated charging/discharging power	5000W
Rated output frequency	50HZ/60HZ \pm 0.3HZ
Rated input voltage	230VAC
Input voltage range	170-280V
Switching time	\approx 10ms
Max. output efficiency	$>$ 90%

Mechanical specification

Size(H*W*D)	1550/650/200 mm
Weight	\approx 135kg
Cooling	Natural convection
Protection rating	IP20
Noise	\leq 60dB
Altitude	\leq 3000 m
Operating temperature	-15~55°C
Install	Ground
Communication	Wi-Fi; GPRS; 4G
Safety regulations	UN38.3、CE

Product Design



Hunan Hyliess New Energy Technology Co., Ltd.

+86 177 7310 0393 sales@hyliess.com www.hyliess.com

Qingzhu Road, Kaifu District, Changsha City, Hunan Province, China

