



# HLS-Solbox-H/

Battery capacity 11.52~23.04 kWh

Battery voltage 230.4~460.8 V



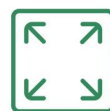
Flexible stack

Free choice of battery capacity



Security

Stable voltage  
Short circuit protection design



More inverter options

Compatible with leading global inverters



Compact footprint

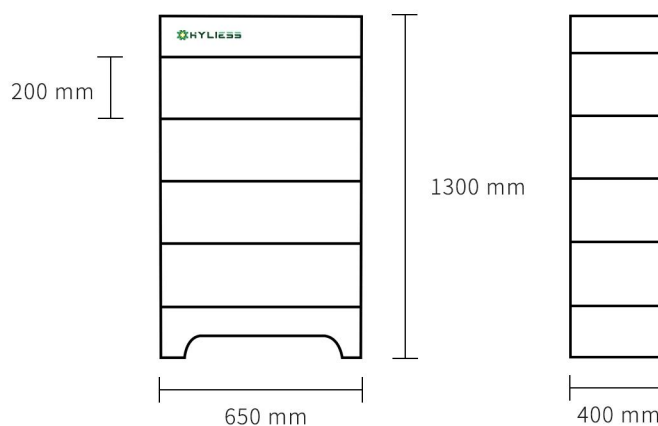
Smaller size and easier to set

# HLS-Solbox H/

## System Specification

Single pack capacity	3.84kWh
Capacity range	11.52~23.04kWh
Single battery voltage	76.8V
Battery voltage range	230.4~460.8V
Max.charging/discharging current	50/50A
Communication	CAN
Single battery size(W*D*H)	650*400*200mm

## Product Design



## Compatible Inverter Brands

### RS485 protocol



### CAN protocol



Hunan Hyliess New Energy Technology Co., Ltd.

+86 177 7310 0393    sales@hyliess.com    www.hyliess.com

Qingzhu Road, Kaifu District, Changsha City, Hunan Province, China

