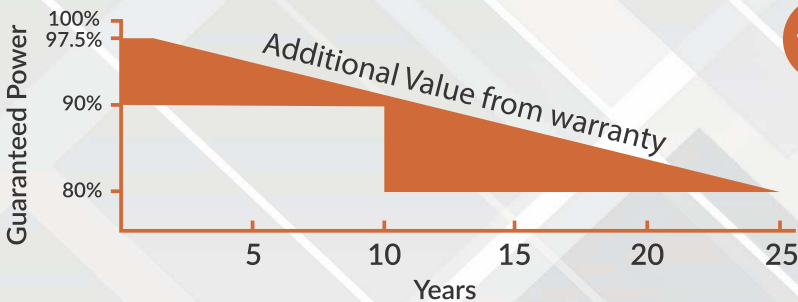


250-270W (5BB) 60 CELLS POLY

"SOLEX" SOLAR PV MODULE



10 YEARS PRODUCT WARRANTY
25 YEARS POWER WARRANTY



■ Linear Performance warranty from Solex Energy Limited
■ Standard Performance Warranty



High Module efficiency through superior manufacturing technology



No power loss thanks to improved temperature co-efficient caused by 5 busbar solar cells



Positive Power Tolerance 0+3W



PID Resistant with long term reliability



Strictly control the micro-crack of solar cells and the other non visible defect of internal modules



Module can bear snow loads upto 5400Pa and wind loads upto 2400Pa



Manufactured according to International Quality & Environment Management System



Salt mist, Ammonia and Hail Resistant



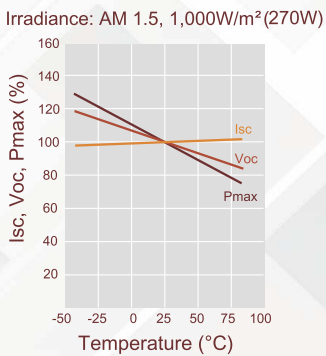
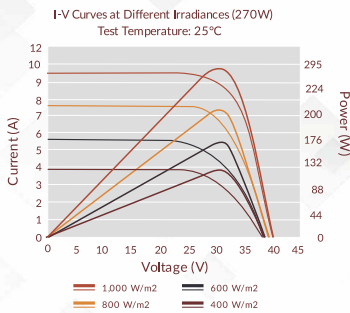
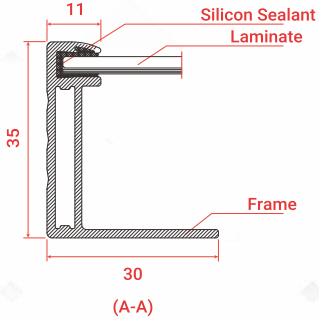
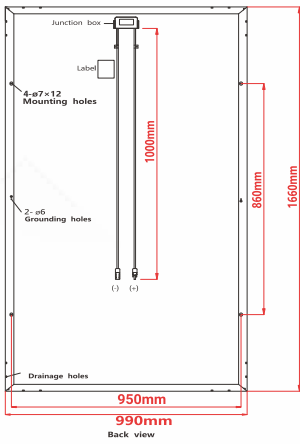
IP 67 rated Mc4 compatible connectors



Using advanced low reflection and high light transmissions glass and cell sheet surface cutting technology, in the weak light environment can also play a good performance



**OUR
CERTIFICATE**



Electrical Characteristics STC*

MODEL NO	SES20250	SES20255	SES20260	SES20265	SES20270
Maximum Power at STC (Pmax)	250W	255W	260W	265W	270W
Optimum Operating Voltage (Vmp)	30.20V	30.40V	30.75V	30.95V	31.10V
Optimum Operating Current (Imp)	8.30A	8.40A	8.50A	8.55A	8.73A
Open Circuit Voltage (Voc)	37.00V	37.10V	37.35V	37.50V	37.70V
Short Circuit Current (Isc)	8.83A	8.94A	9.10A	9.15A	9.31A
Module Efficiency	15.34%	15.64%	15.95%	16.26%	16.56%
Maximum System Voltage	1000V DC	1000V DC	1000V DC	1000V DC	1000V DC
Maximum Series Fuse Rating	15A	15A	15A	15A	15A
Power Tolerance	0W - 3W	0W - 3W	0W - 3W	0W - 3W	0W - 3W

*Standard Test Conditions: Irradiance: 1000 W / m² • Cell temperature: 25°C • AM: 1.5 • with cleaned modules

Electrical Data at NOCT*

Power output (Pmax)	186.06W	188.33W	191.03W	193.20W	198.43W
Maximum Power Voltage (Vmp)	27.90V	28.20V	28.48V	28.70V	28.80V
Maximum Circuit Voltage (Voc)	6.70A	6.71A	6.77A	6.88A	6.96A
Open Circuit Voltage (Voc)	34.81V	34.84V	34.88V	34.90V	35.06V
Short Circuit Current (Isc)	7.10A	7.22A	7.31A	7.39A	7.42A

*Nominal Operating Cell Temperature: Irradiance: 800 W / m² • Ambient temperature: 20°C • AM: 1.5 • Wind speed: 1 m/s

Mechanical Characteristics

Cell Type	Polycrystalline Size 156.75x156.75mm
Number of Cells	60(6x10)
Dimensions	1660x990x35mm
Weight	19 kg
Front Cover	Tempered Glass with Anti Reflective Coating
Frame Material	Anodized Aluminium Alloy
Standard Packaing (Modules per Pallet)	26pcs

Maximum Ratings

Operating Temperature range	-45°C ~+85°C
Maximum system Voltage	1000V
Max series fuse rating	15A
Max front load (e.g.: snow)	5400Pa
Max back load (e.g.: wind)	2400Pa

Temperature Characteristics

Nominal Operating Cell Temperature	45±2°C
Temperature Coefficient of Pmax	-0.42%/°C
Temperature Coefficient of Voc	-0.30%/°C
Temperature Coefficient of Isc	0.06%/°C

Comprehensive Products And System Certificates

IEC 61215 / IEC 61730-1&2 / IEC 62804 / UL 1703

ISO 9001: Quality Management System

ISO 14001: Environmental Management System

ISO14064: Greenhouse gases Emissions Verification

OHSAS 18001: Occupation Health and Safety Management System

REG.OFFICE & WORKS SOLEX ENERGY LIMITED

PLOT NO -131 - A ,PHASE - 1, H.M ROAD , GIDC,
VITHAL UDYOGNAGAR-388121, ANAND, GUJARAT, INDIA.

✉ sales@solex.in | solexin14@gmail.com

☎ +91 2692 230317 🖨 +91 2692 231216 🌐 www.solex.in
+91 93772 21443